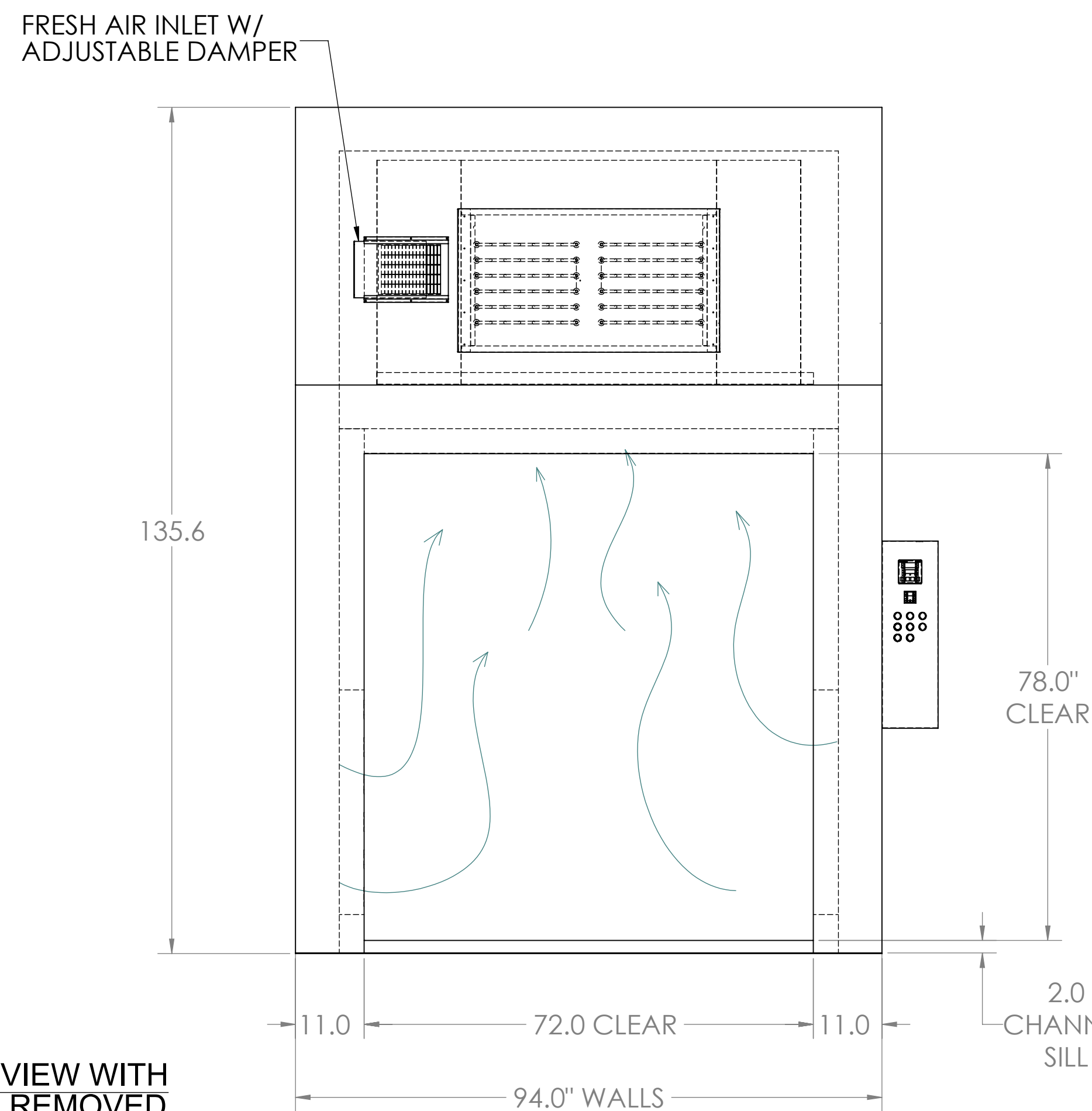
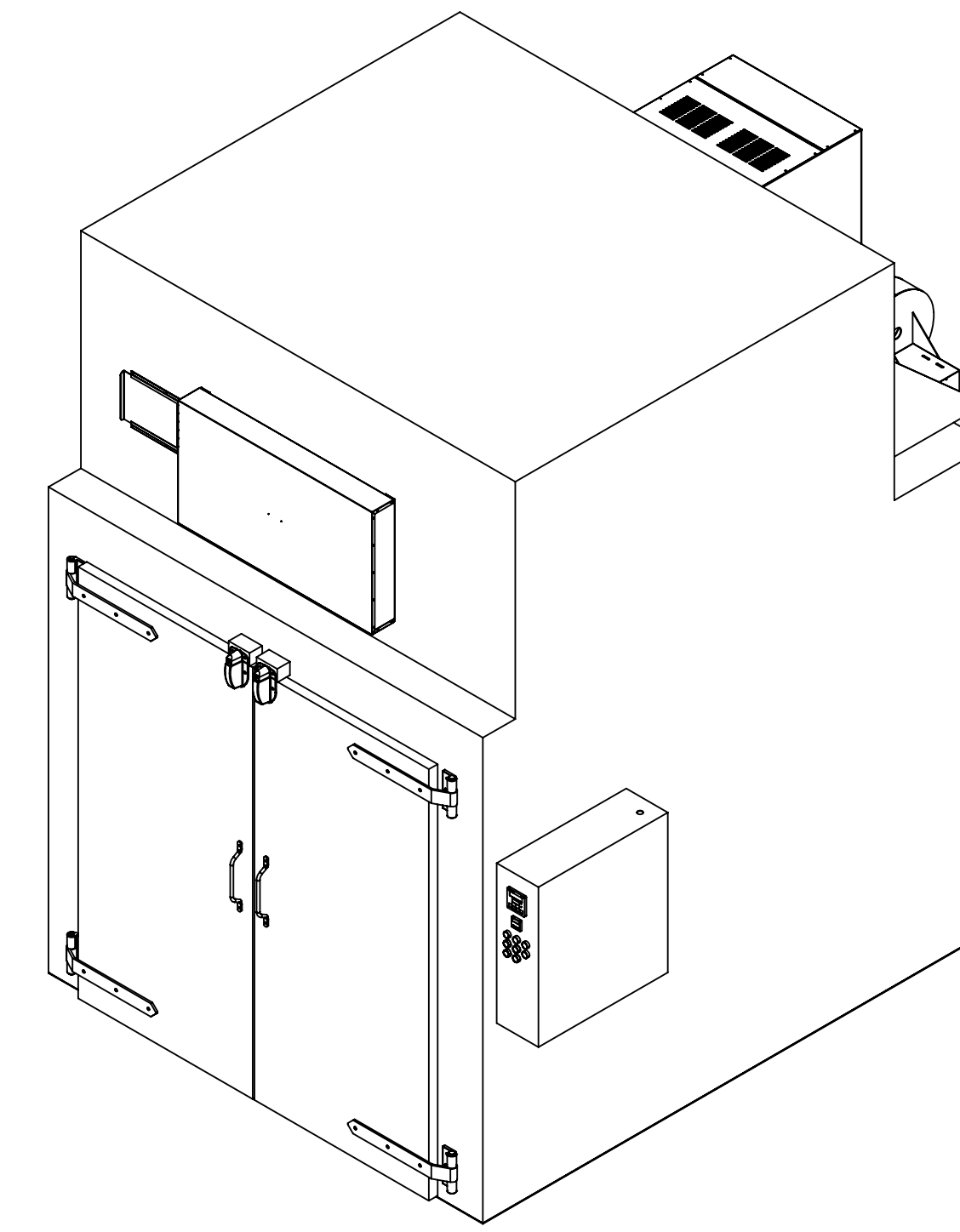
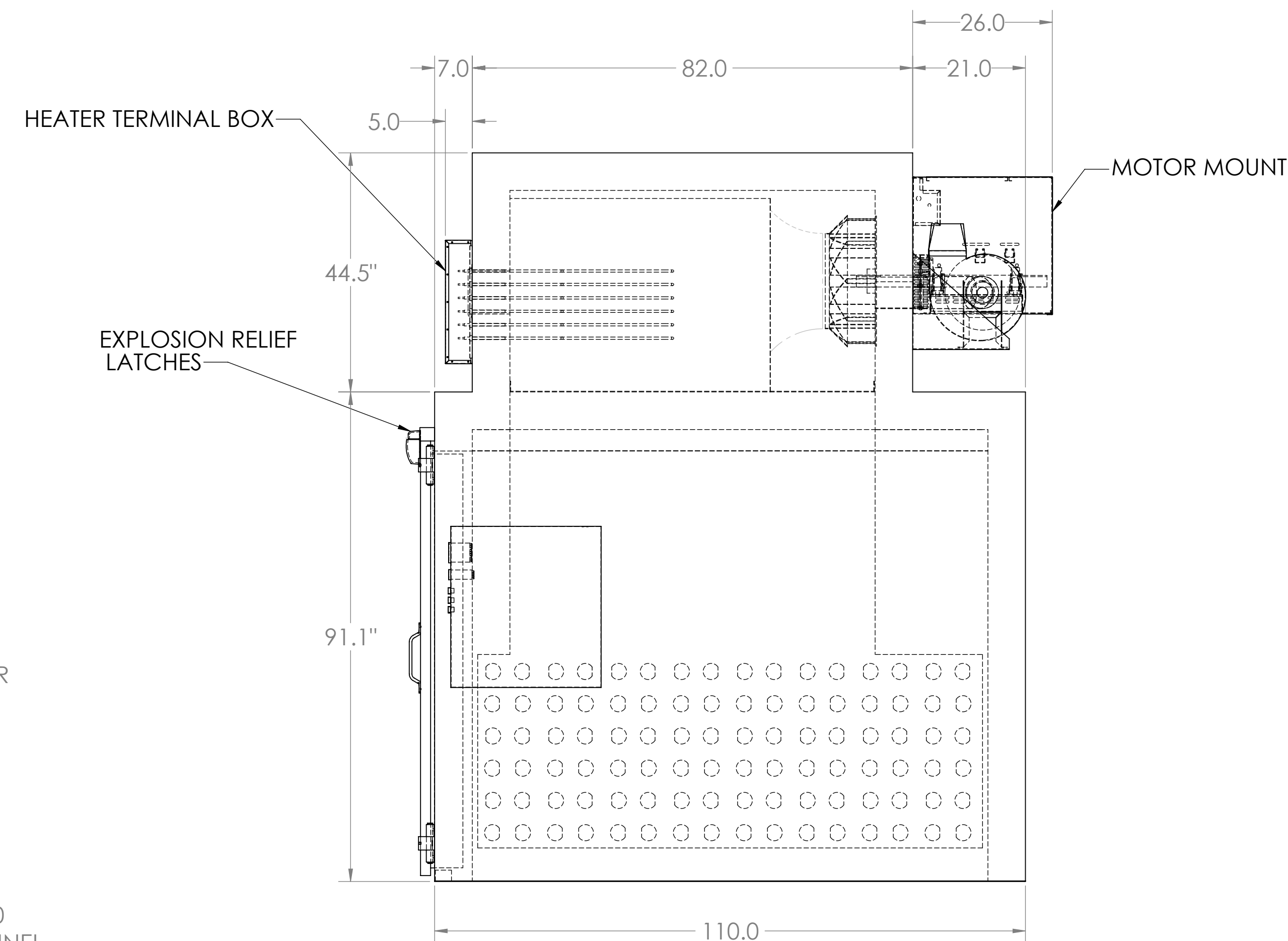


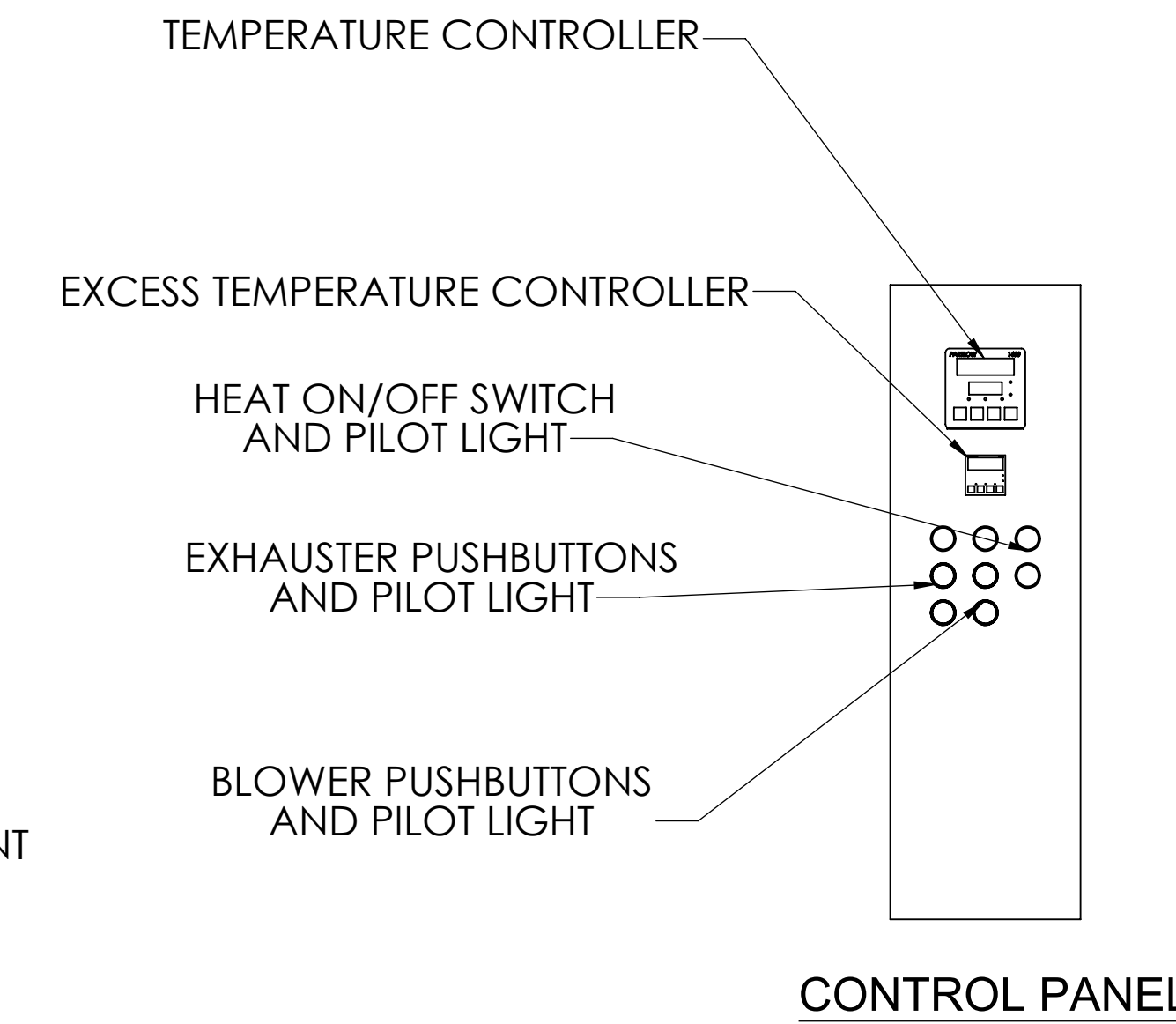
TOP VIEW



FRONT VIEW WITH DOORS REMOVED



RIGHT SIDE VIEW



NOTE: CONTROL PANELS SUBJECT TO CHANGE BY ELECTRICAL ENGINEERING DEPARTMENT

NOTE: DIMENSIONS SHOWN ARE IN INCHES

THE GRIEVE CORPORATION	
OVENS & FURNACES	
LABORATORY <input type="checkbox"/> INDUSTRIAL <input type="checkbox"/> CLEANROOM <input type="checkbox"/> PHARMACEUTICAL <input type="checkbox"/>	
CUSTOMER	PREMIX INC.
DESCRIPTION	GENERAL LAYOUT
MODEL	WTC 686-650
PURCHASE ORDER NO.	TBD
SHOP ORDER	TBD
DRAWN BY	NOEL M.
DATE	8/15/2013
PRINT DATE	8/15/2013
DWG. NO.	1

This drawing is the property of THE GRIEVE CORPORATION, and may not be used or reproduced without the express permission of THE GRIEVE CORPORATION.