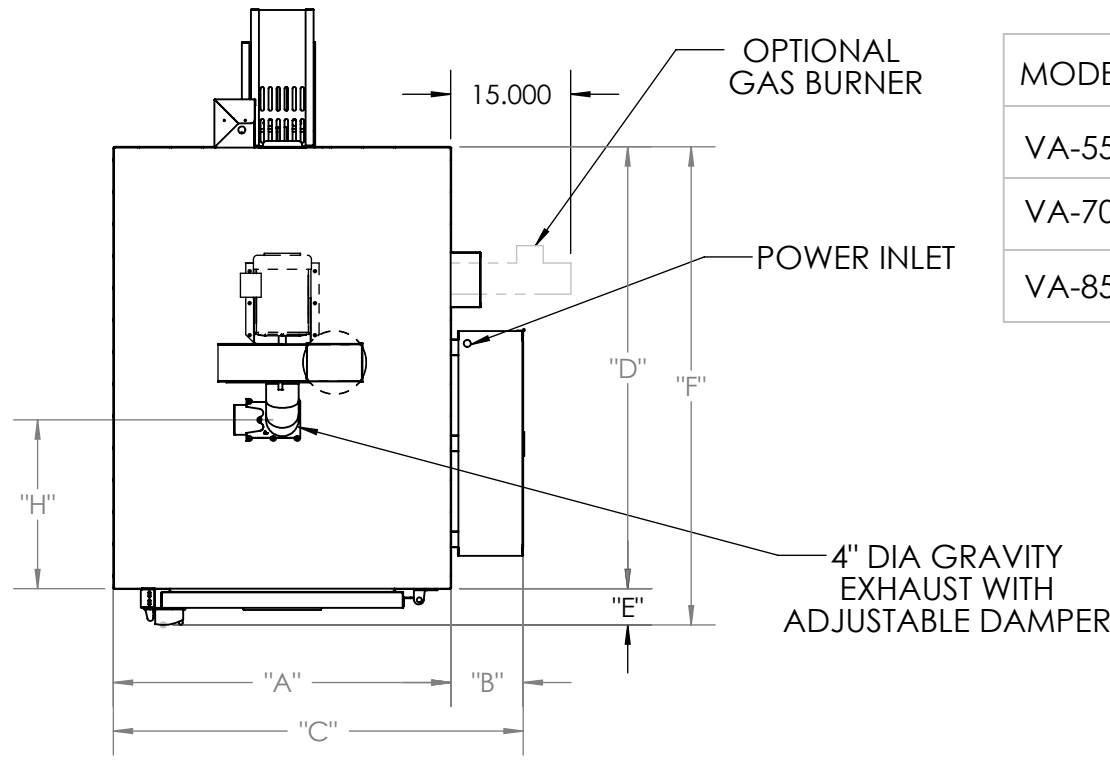


OVEN DIMENSIONS

MODEL	WORK SPACE W x D x H	KW	BTU/HR	CFM	MOTOR H. P.	INSULATION THICKNESS	"A"	"B"	"C"	"D"	"E"	"F"	"G"	"H"	"J"
VA-550	26" x 26" x 38"	7	50,000	700	1/2	6"	38"	9"	47"	51"	4"	55"	61"	17"	19"
VA-700	26" x 26" x 38"	9	75,000	1,000	1	8"	42"	9"	51"	55"	4"	59"	65"	19"	21"
VA-850	26" x 26" x 38"	15	100,000	1,000	1	8"	42"	9"	51"	55"	4"	59"	65"	19"	21"

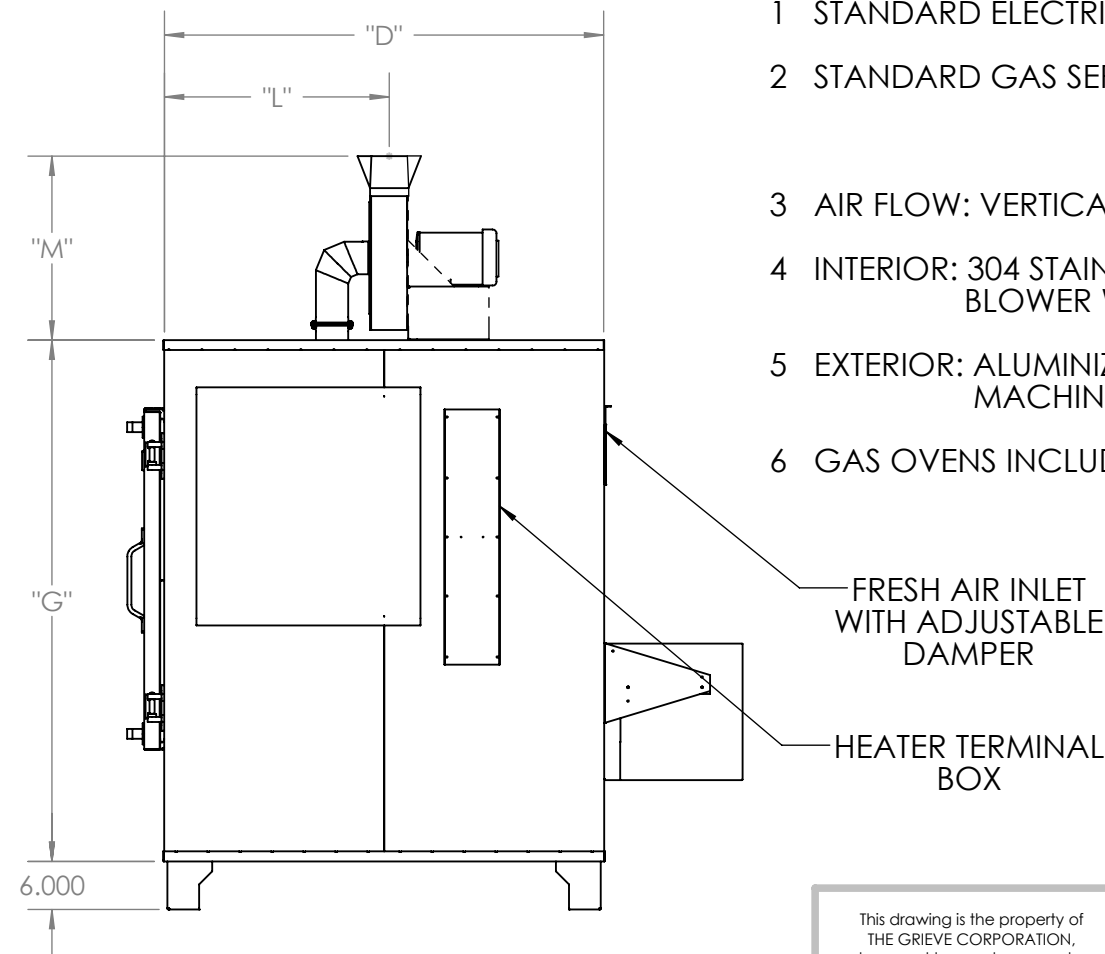
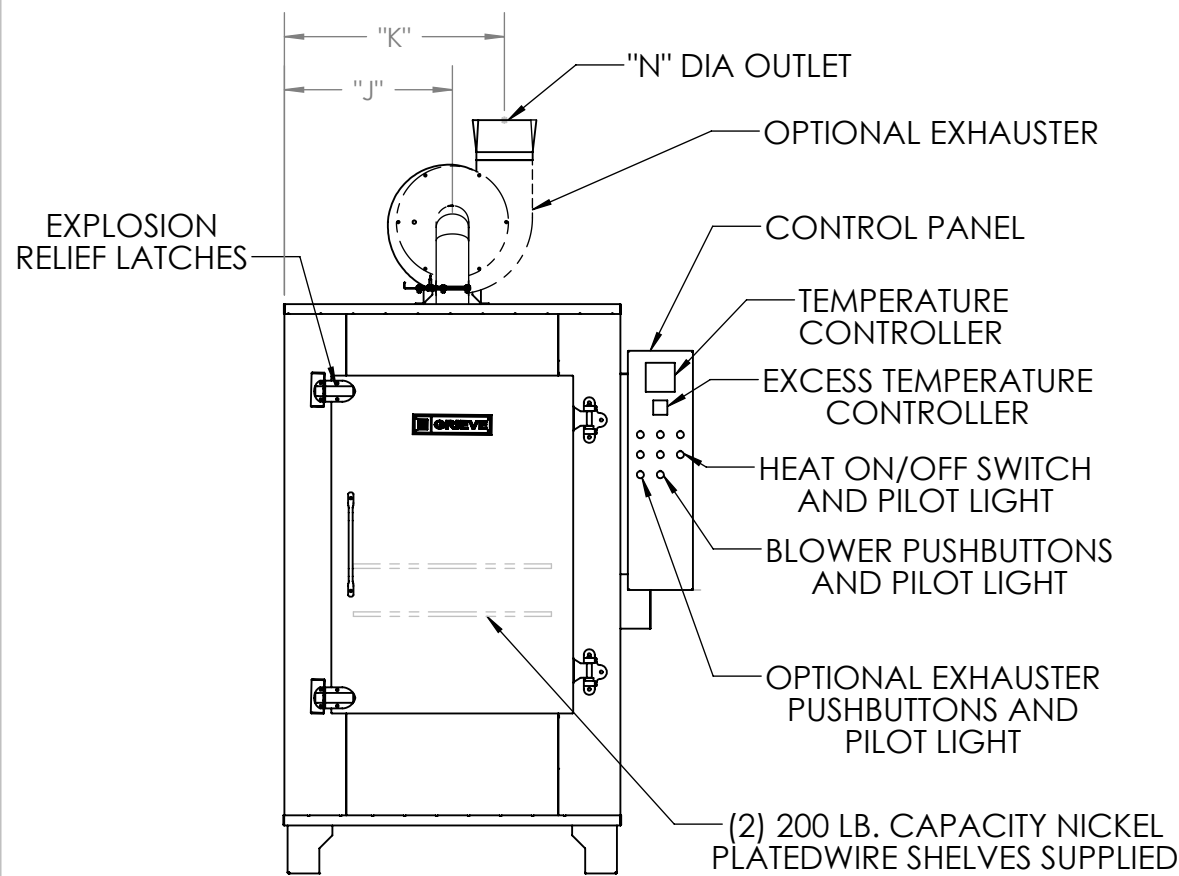


OPTIONAL POWERED FORCED EXHAUSTER DIMENSIONS

MODEL	80 CFM				130 CFM				325 CFM				650 CFM			
	"K"	"L"	"M"	"N"	"K"	"L"	"M"	"N"	"K"	"L"	"M"	"N"	"K"	"L"	"M"	"N"
VA-550	21 7/16"	23 3/16"	17 1/8"	4"	23 1/8"	24"	20 1/2"	4"	25 1/2"	24 1/8"	23"	6"	25 1/2"	25 3/4"	23"	6"
VA-700-850					25 1/8"	26"	20 1/2"	4"	27 1/2"	26 1/8"	23"	6"	27 1/2"	27 3/4"	23"	6"

NOTE

- STANDARD ELECTRICAL SERVICE: 230/3/60, 460/3/60
- STANDARD GAS SERVICE: 1,000 BTU NATURAL GAS AT 6" - 8" W.C. PRESSURE. OTHER GAS SERVICE ALSO AVAILABL
- AIR FLOW: VERTICAL
- INTERIOR: 304 STAINLESS STEEL, WITH CARBON STEEL BLOWER WHEEL
- EXTERIOR: ALUMINIZED STEEL, PAINTED TRILITE GREEN MACHINERY ENAMEL
- GAS OVENS INCLUDE 325 CFM EXHAUSTER



This drawing is the property of THE GRIEVE CORPORATION, and may not be used or reproduced without the express permission of THE GRIEVE CORPORATION

REV.	DESCRIPTION	BY	DATE
DESCRIPTION			
CUSTOMER			
MODEL VA-550, VA-700, VA-850, VERTICAL AIR FLOW CABINET OVENS			
SHOP ORDER			
DRAWN BY JC		DWG. NO.	
DATE		VA-550 VA-850	
		PRINT DATE 5/13/2013	