

### OVEN DIMENSIONS

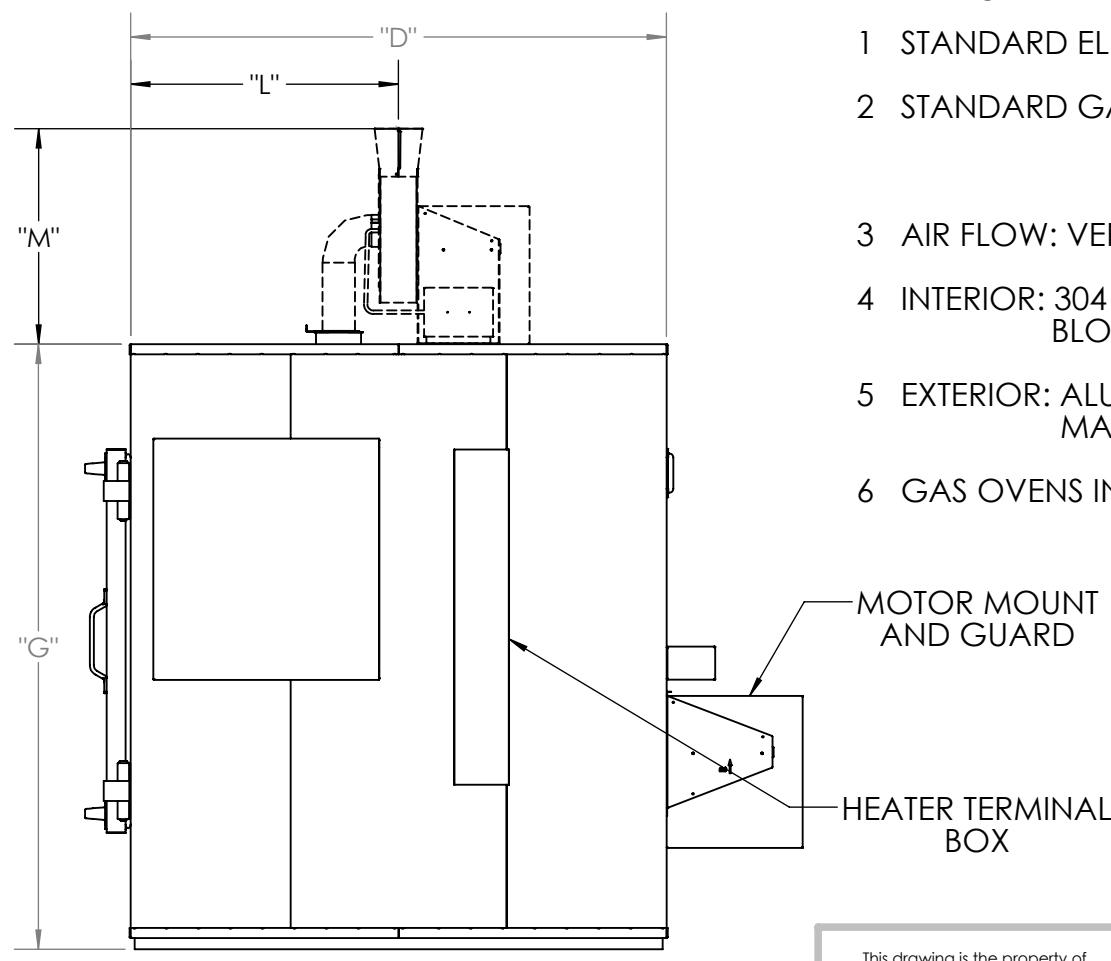
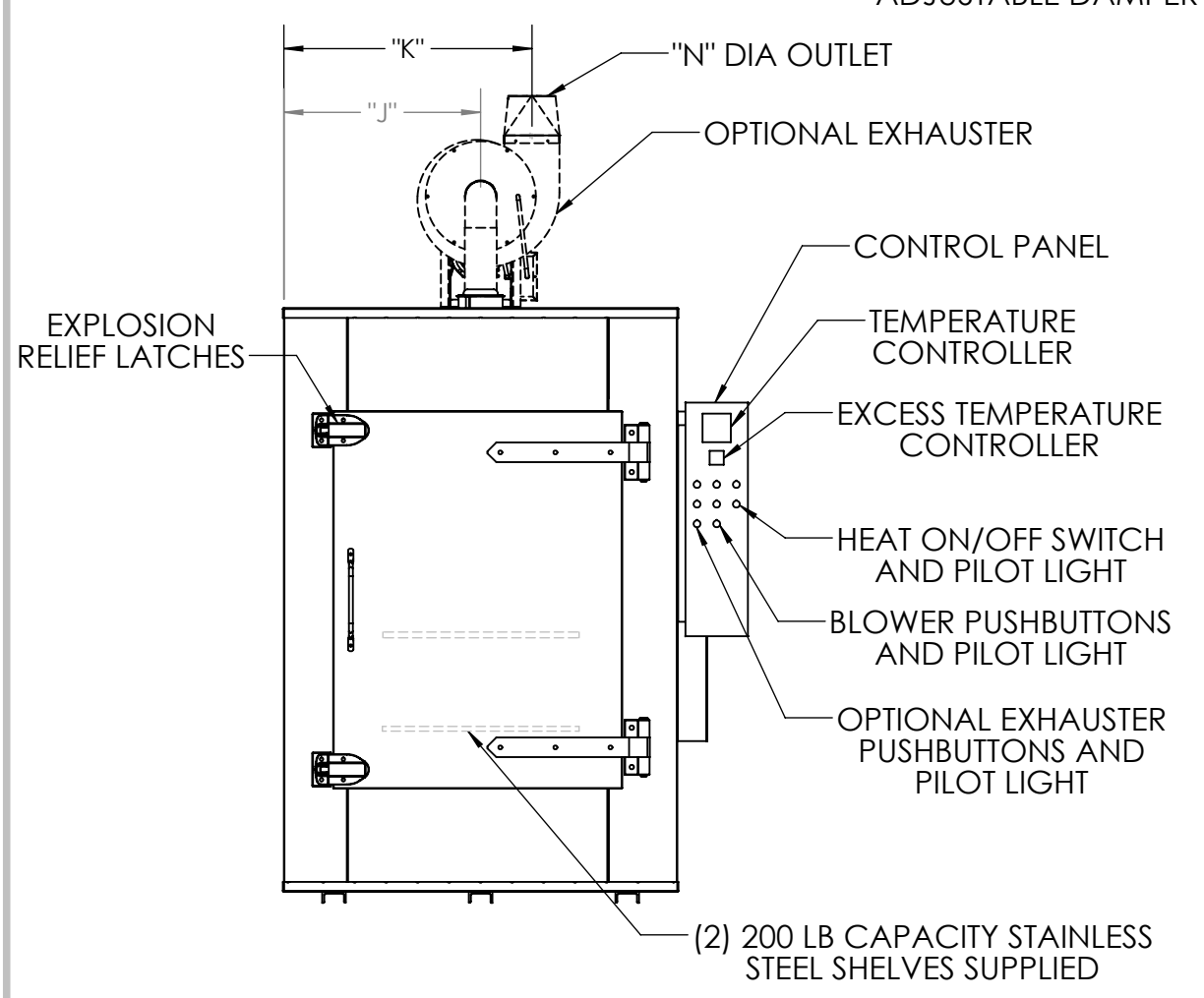
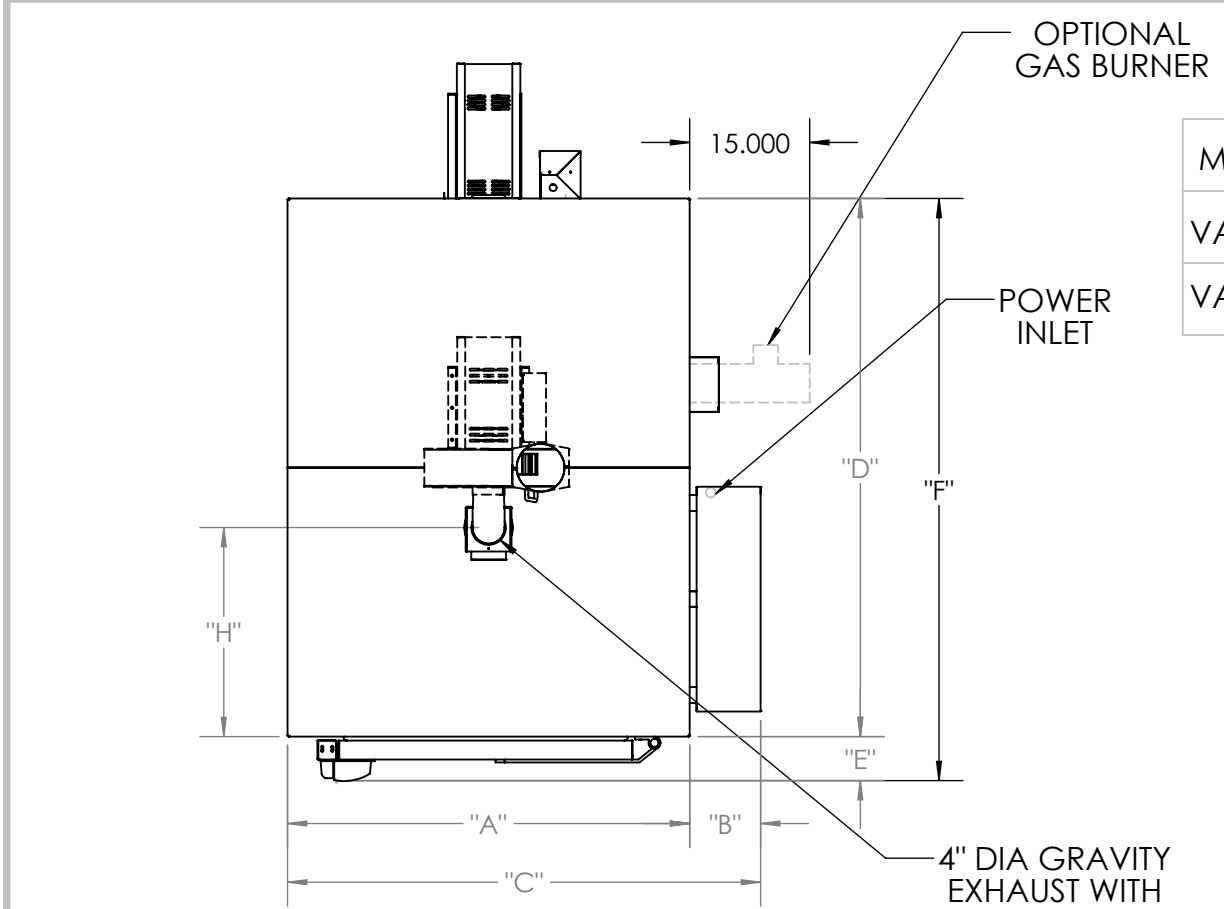
MODEL	WORK SPACE W x D x H	KW	BTU/HR	CFM	MOTOR H. P.	INSULATION THICKNESS	"A"	"B"	"C"	"D"	"E"	"F"	"G"	"H"	"J"
VA-1050	26" x 26" x 38"	24	125,000	1,600	1 1/2	10"	46"	9"	55"	63"	5"	68"	71 1/2"	31"	23"
VA-1250	26" x 26" x 38"	30	200,000	1,600	1 1/2	12"	50"	9"	59"	67"	5"	72"	75 1/2"	33"	25"

### OPTIONAL POWERED FORCED EXHAUSTER DIMENSIONS

MODEL	130 CFM				325 CFM				650 CFM			
	"K"	"L"	"M"	"N"	"K"	"L"	"M"	"N"	"K"	"L"	"M"	"N"
VA-1050	29 1/2"	33 1/2"	20 1/2"	4"	29 1/2"	31 1/2"	27"	6"	29 1/2"	29 1/2"	27"	6"
VA-1250	31 1/2"	35 1/2"	20 1/2"	4"	31 1/2"	33 1/2"	27"	6"	31 1/2"	31 1/2"	27"	6"

### NOTE

- STANDARD ELECTRICAL SERVICE: 208/3/60, 230/3/60, 460/3/60
- STANDARD GAS SERVICE: 1,000 BTU NATURAL GAS AT 6" - 8" W.C. PRESSURE. OTHER GAS SERVICE ALSO AVAILABL
- AIR FLOW: VERTICAL
- INTERIOR: 304 STAINLESS STEEL, WITH STAINLESS STEEL BLOWER WHEEL
- EXTERIOR: ALUMINIZED STEEL, PAINTED TRILITE GREEN MACHINERY ENAMEL
- GAS OVENS INCLUDE 325 CFM EXHAUSTER



This drawing is the property of THE GRIEVE CORPORATION, and may not be used or reproduced without the express permission of THE GRIEVE CORPORATION

REV.	DESCRIPTION	BY	DATE
	DESCRIPTION		
	CUSTOMER		
	MODEL VA-1050, VA-1250 HIGH TEMPERATURE VERTICAL AIR FLOW CABINET OVENS		
	SHOP ORDER		
	DRAWN BY JC		DWG. NO. VA-1050 VA-1250
	DATE	PRINT DATE 7/9/2013	