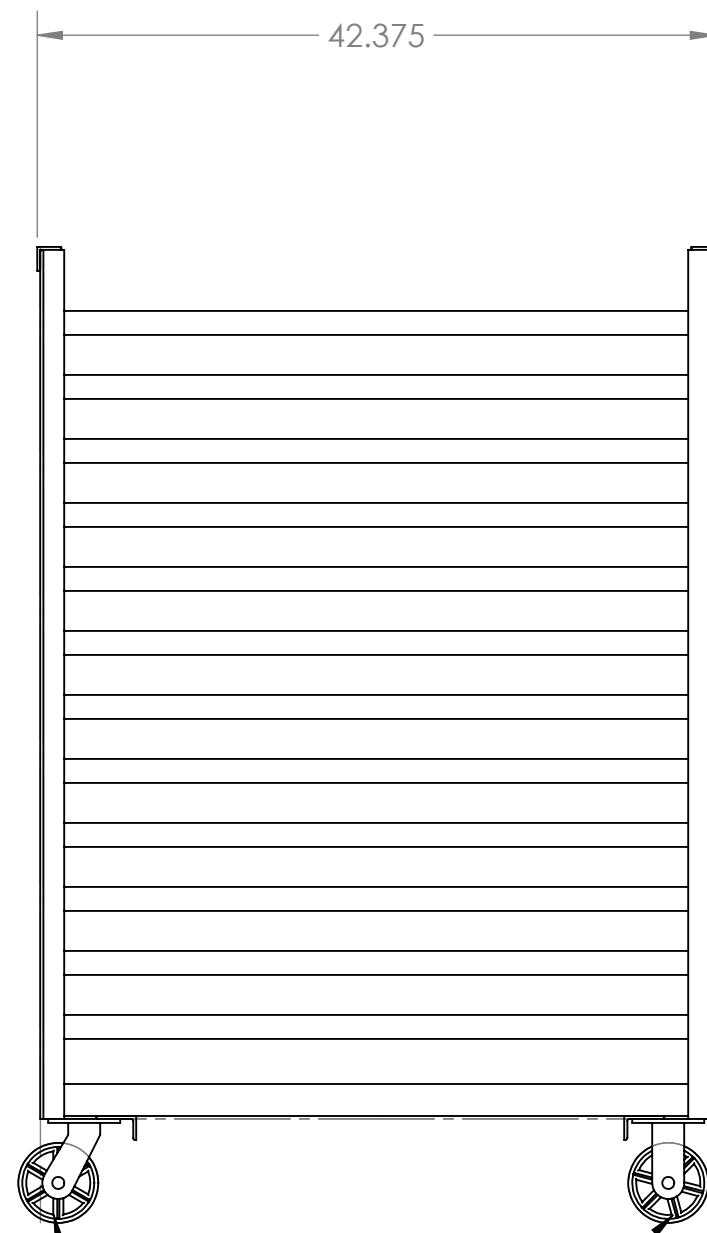
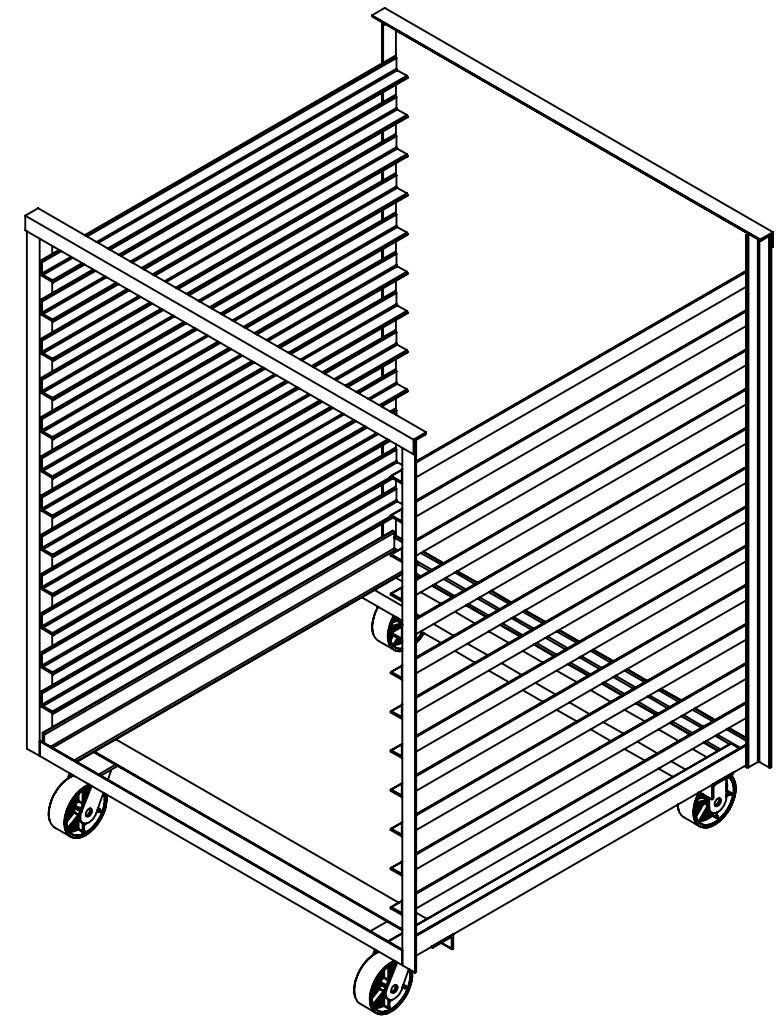


FRONT VIEW



(2) SWIVEL CASTERS
5" DIA x 1 1/2" FACE

(2) RIGID CASTERS
5" DIA. x 1 1/2" FACE



| | | |
|-------------|----------------------------------|----------|
| DESCRIPTION | 1200 LB. CAPACITY TB SHELF TRUCK | |
| CUSTOMER | | |
| MODEL | TB-550 & TBH-550 | |
| SHOP ORDER | | |
| DRAWN BY | P.J.D. | DWG. NO. |
| DATE | PRINT DATE 7/10/2013 | |

This drawing is the property of THE GRIEVE CORPORATION, and may not be used or reproduced without the express permission of THE GRIEVE CORPORATION