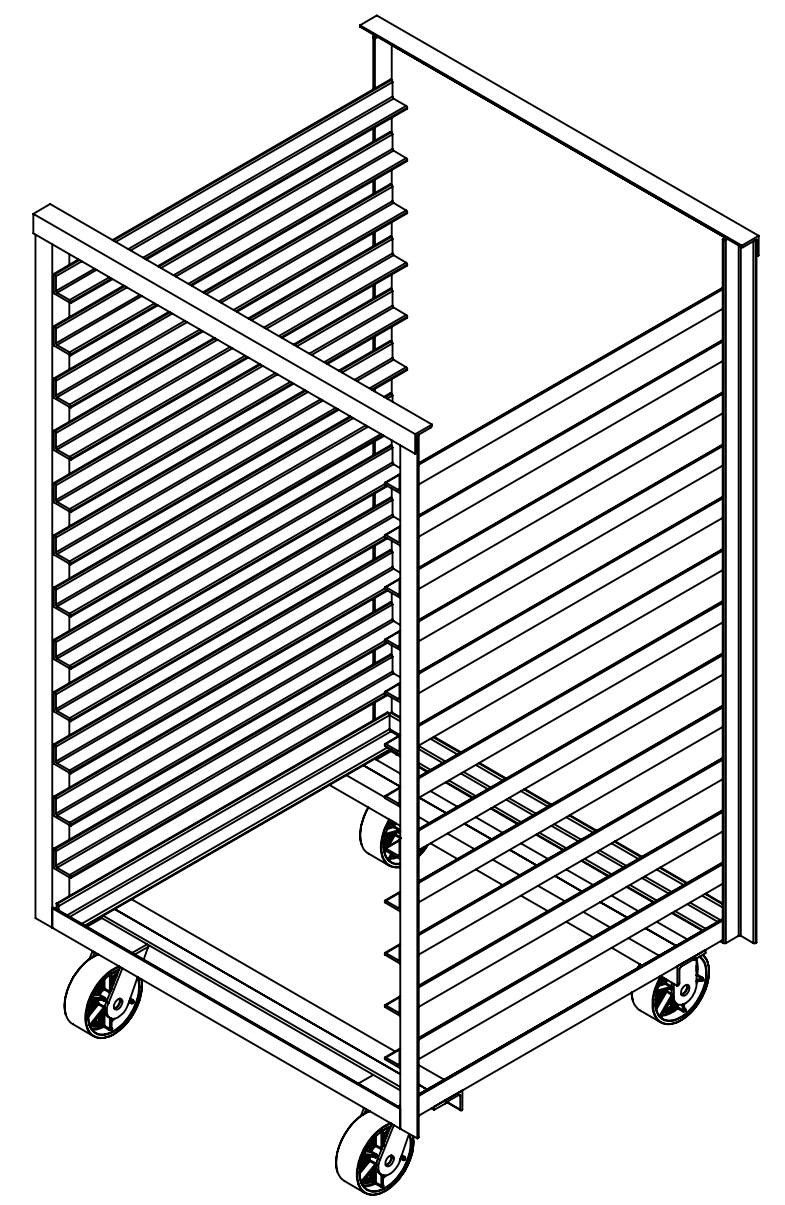
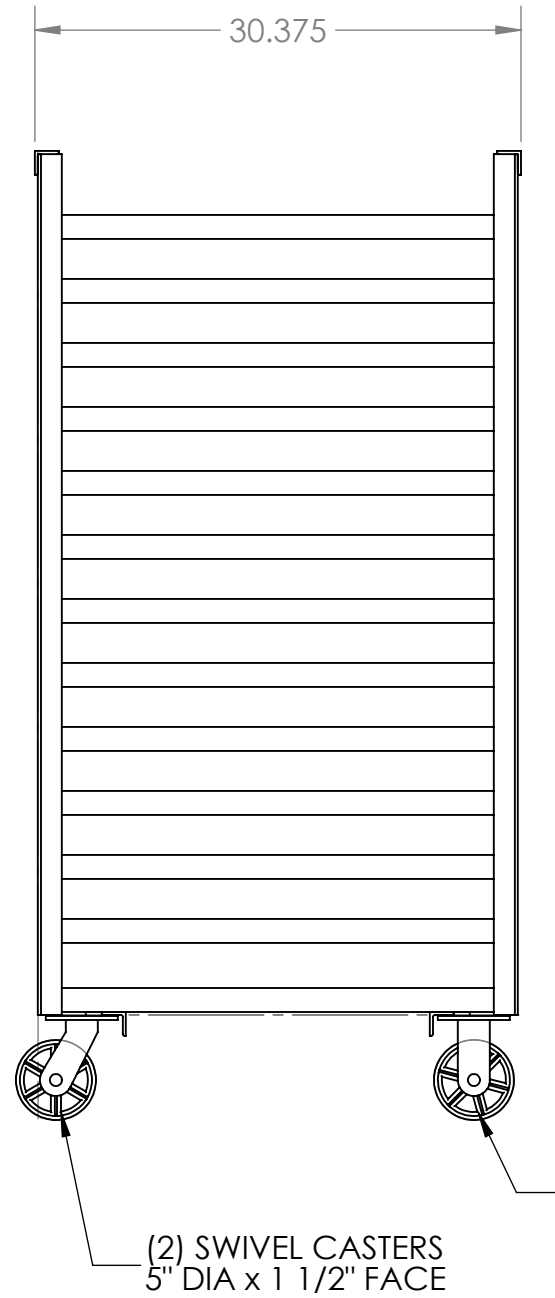


FRONT VIEW



DESCRIPTION	
1200 LB CAPACITY TA SHELF TRUCK	
CUSTOMER	
MODEL	
TA-550 & TAH-550	
SHOP ORDER	
DRAWN BY P.J.D	DWG. NO.
DATE	PRINT DATE 7/10/2013

This drawing is the property of THE GRIEVE CORPORATION, and may not be used or reproduced without the express permission of THE GRIEVE CORPORATION