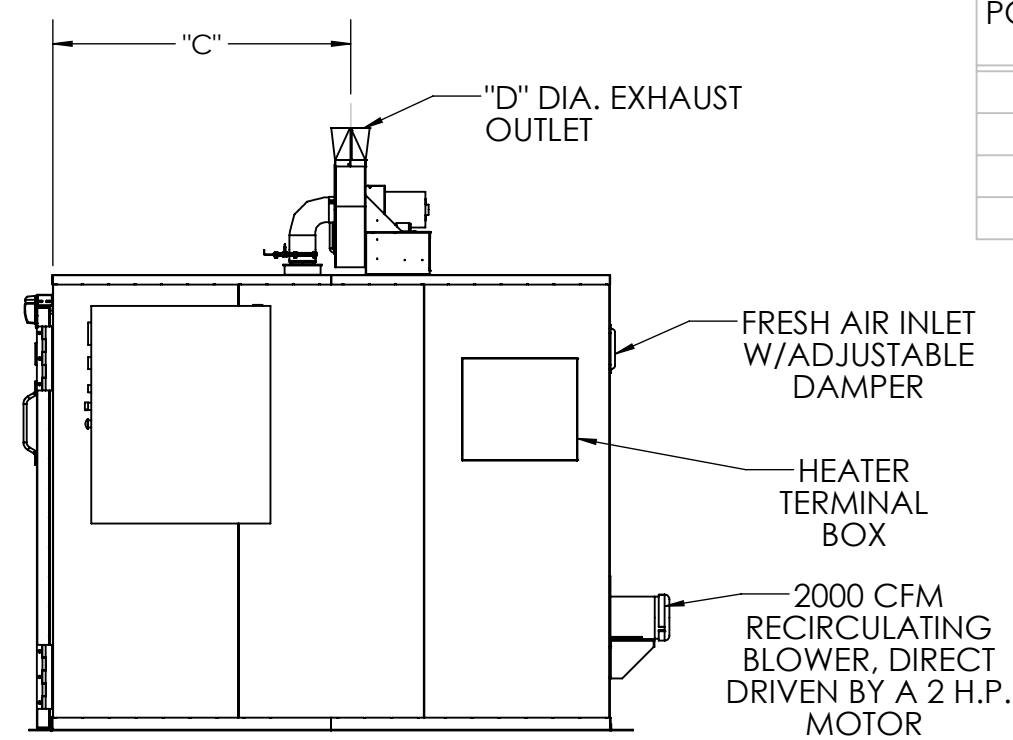
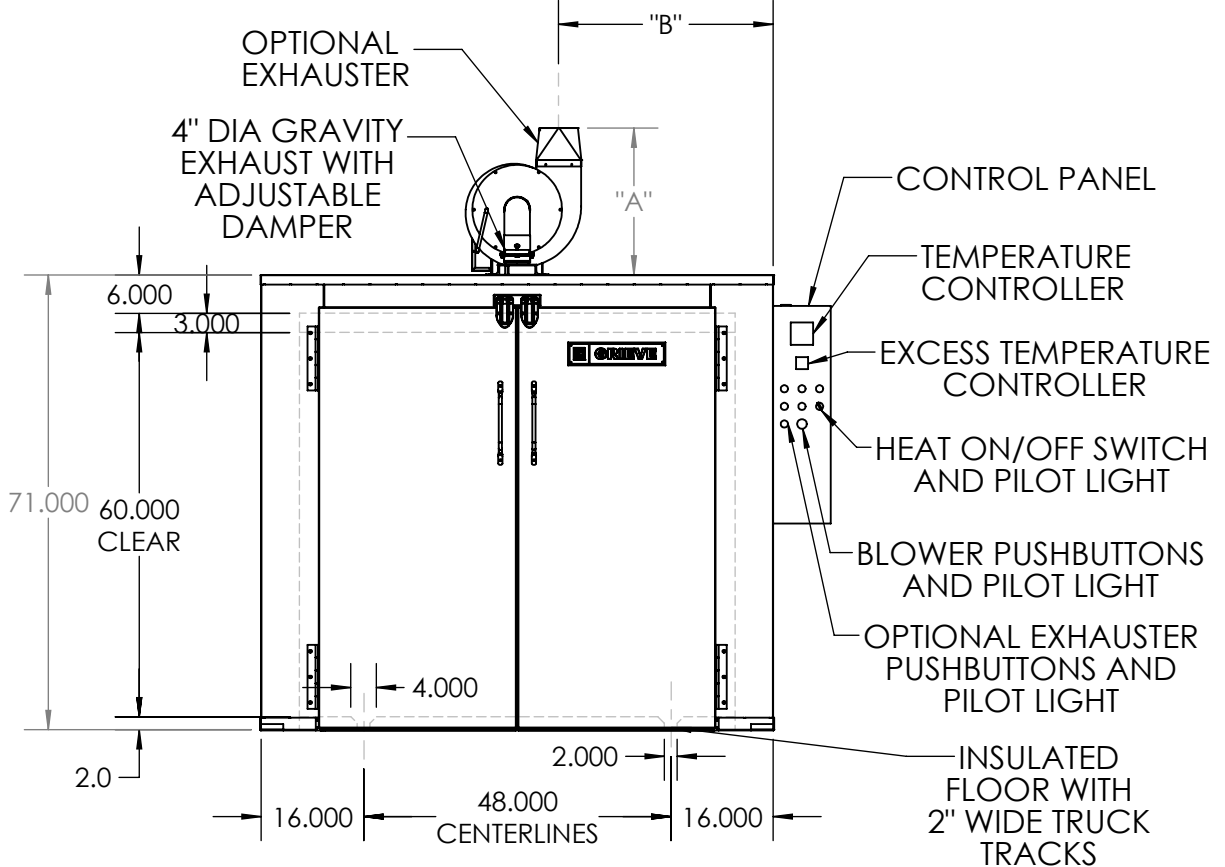
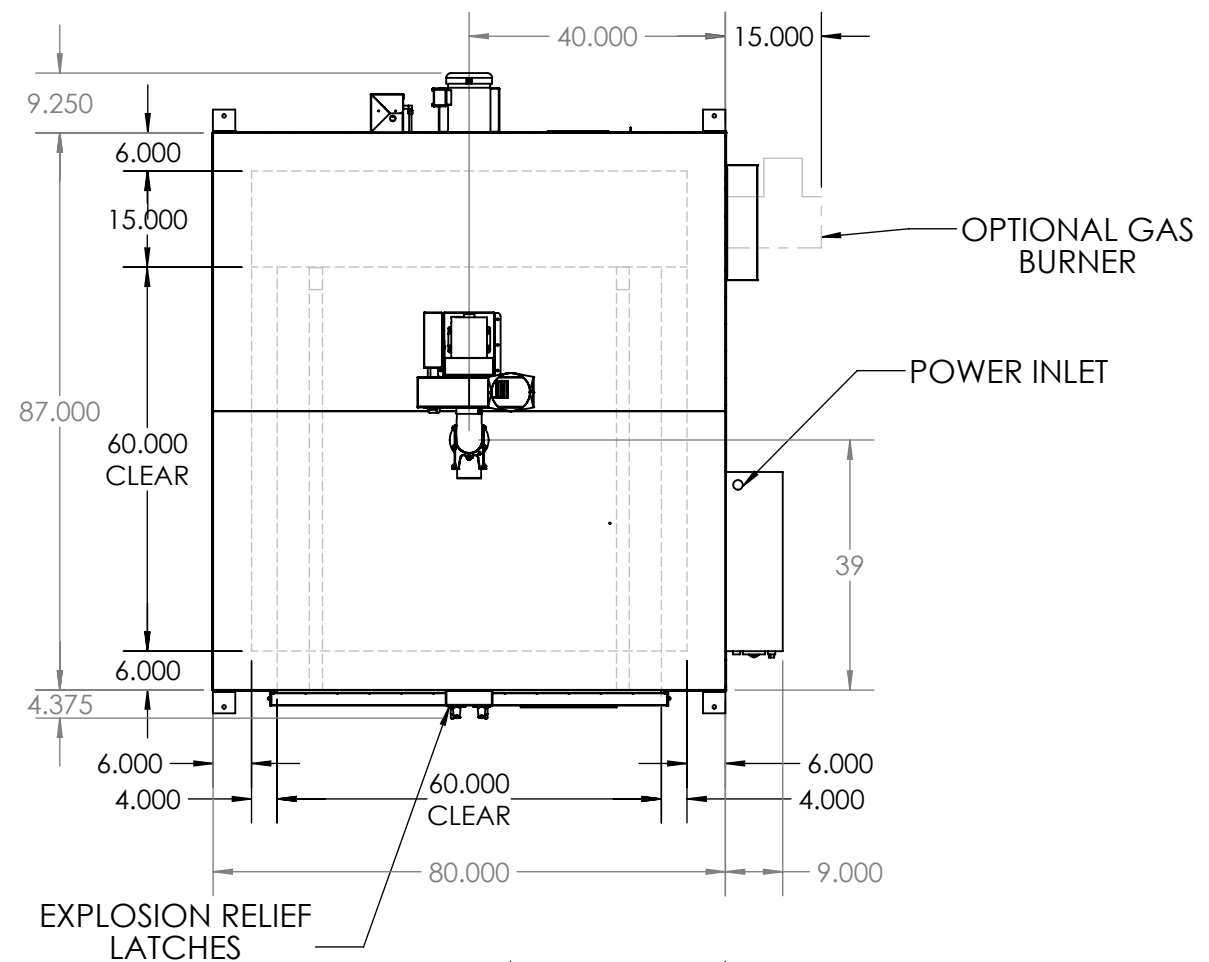


GENERAL SPECIFICATIONS

- 1 STANDARD ELECTRICAL SERVICE - 208/3/60, 230/3/60 OR 460/3/60. OTHER ELECTRICAL SERVICE ALSO AVAILABLE
- 2 STANDARD GAS SERVICE - 1,000 BTU NATURAL GAS @ 6" W.C. PRESSURE. OTHER GAS SERVICE ALSO AVAILABLE
- 3 MAXIMUM OPERATING TEMPERATURE - 550°F
- 4 HEAT INPUT - 24KW
- 5 INSULATION - 6"
- 6 WORKSPACE - 60" WIDE x 60" DEEP x 60" HIGH
- 7 INTERIOR - ALUMINIZED STEEL, WITH CARBON STEEL BLOWER WHEEL
- 8 EXTERIOR - TRILITE GREEN MACHINERY ENAMEL
- 9 AIR FLOW - HORIZONTAL
- 10 GAS OVENS INCLUDE 325 CFM EXHAUSTER



| POWER FORCED EXHAUSTER | "A" | "B" | "C" | "D" |
|------------------------|---------|----------|----------|-----|
| 80 CFM | 17 1/8" | 37 9/16" | 44 5/16" | 4" |
| 130 CFM | 20 1/2" | 35 7/8" | 45 3/8" | 4" |
| 325 CFM | 23" | 33 1/2" | 45 1/2" | 6" |
| 650 CFM | 23" | 33 1/2" | 47 1/8" | 6" |

| REV. | DESCRIPTION | BY | DATE |
|------------------------------------|-------------|----------------------|------|
| DESCRIPTION | | | |
| CUSTOMER | | | |
| MODEL TCH-550 TRUCK OVEN | | | |
| SHOP ORDER | | | |
| DRAWN BY PJD | | DWG. NO. | |
| DATE | | TCH 550 | |
| | | PRINT DATE 7/10/2013 | |

This drawing is the property of THE GRIEVE CORPORATION, and may not be used or reproduced without the express permission of THE GRIEVE CORPORATION