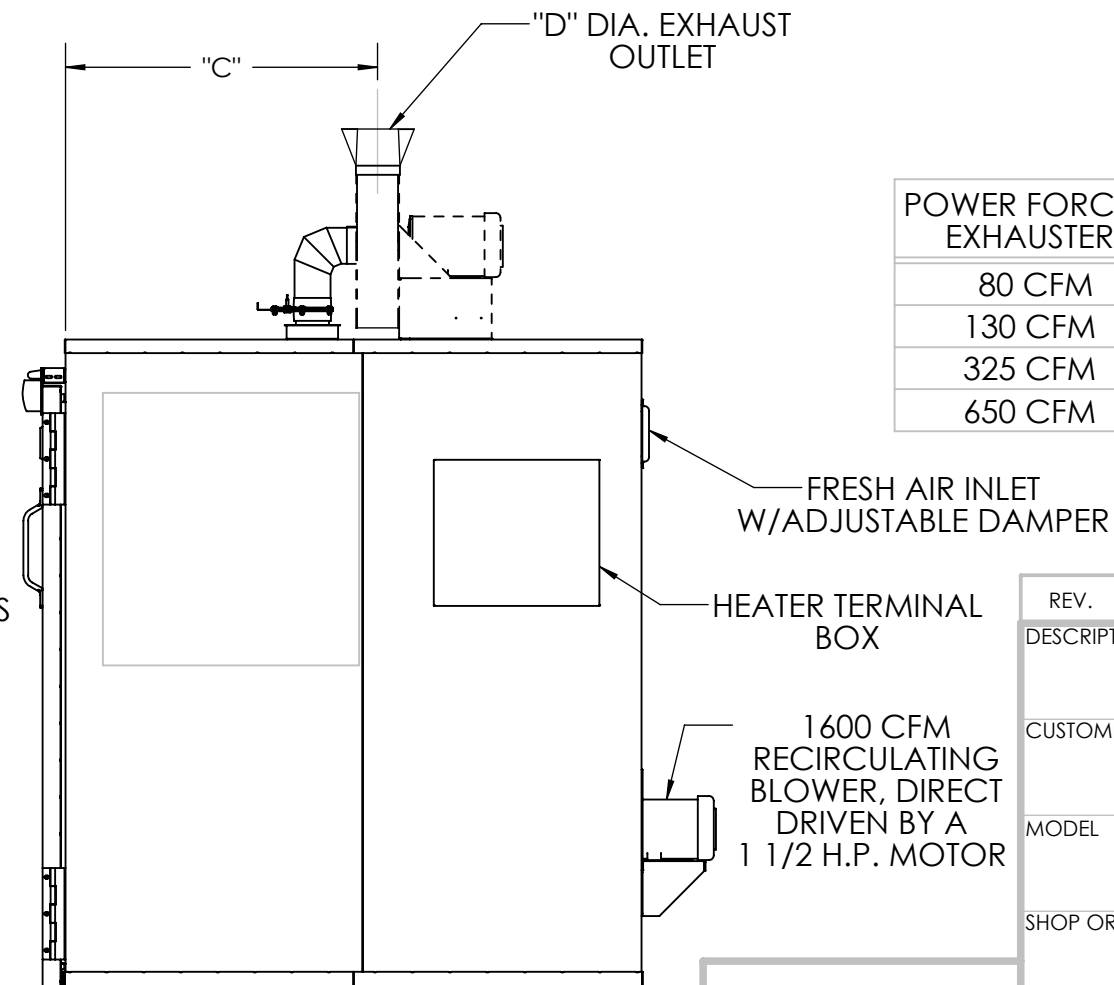
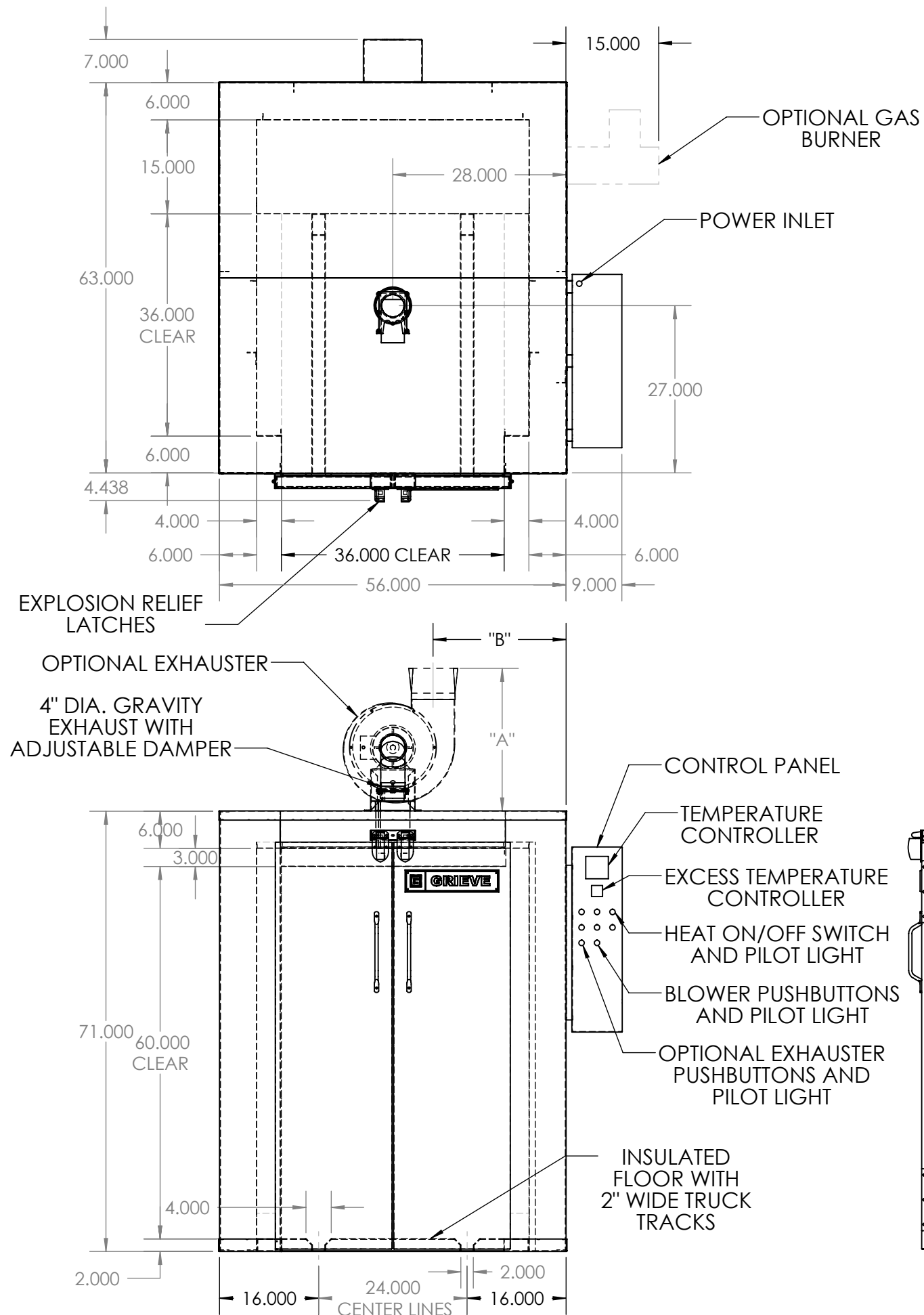


GENERAL SPECIFICATIONS

- 1 STANDARD ELECTRICAL SERVICE - 230/3/60 OR 460/3/60. OTHER ELECTRICAL SERVICE ALSO AVAILABLE
- 2 STANDARD GAS SERVICE - 1,000 BTU NATURAL GAS @ 6" W.C. PRESSURE. OTHER GAS SERVICE ALSO AVAILABLE
- 3 MAXIMUM OPERATING TEMPERATURE - 550°F
- 4 HEAT INPUT - 18KW
- 5 INSULATION - 6"
- 6 WORKSPACE - 36" WIDE x 36" DEEP x 60" HIGH
- 7 INTERIOR - ALUMINIZED STEEL, WITH CARBON STEEL BLOWER WHEEL
- 8 EXTERIOR - TRILITE GREEN MACHINERY ENAMEL
- 9 AIR FLOW - COMBINATION
- 10 GAS OVENS INCLUDE 325 CFM EXHAUSTER



POWER FORCED EXHAUSTER	"A"	"B"	"C"	"D"
80 CFM	17 1/8"	25 9/16"	33 3/16"	4"
130 CFM	20 1/2"	23 7/8"	34"	4"
325 CFM	23"	21 1/2"	34 1/8"	6"
650 CFM	23"	21 1/2"	35 3/4"	6"

This drawing is the property of THE GRIEVE CORPORATION, and may not be used or reproduced without the express permission of THE GRIEVE CORPORATION

REV.	DESCRIPTION	BY	DATE
DESCRIPTION			
CUSTOMER			
MODEL			
TAH-550 TRUCK OVEN			
SHOP ORDER			
DRAWN BY JC		DWG. NO.	
DATE		TAH 500	
		PRINT DATE 5/13/2013	