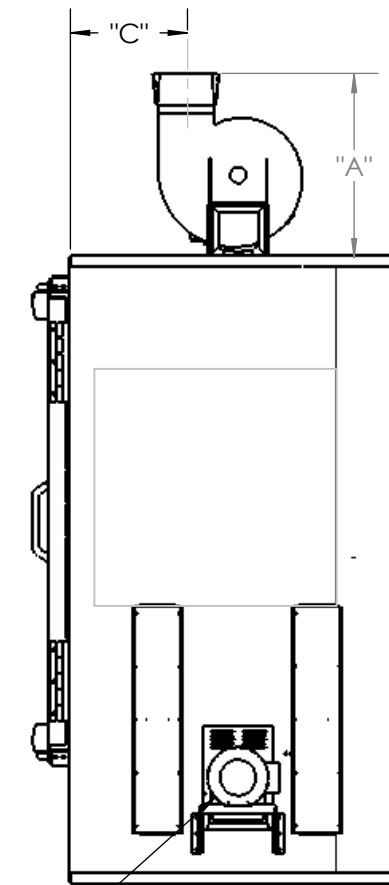
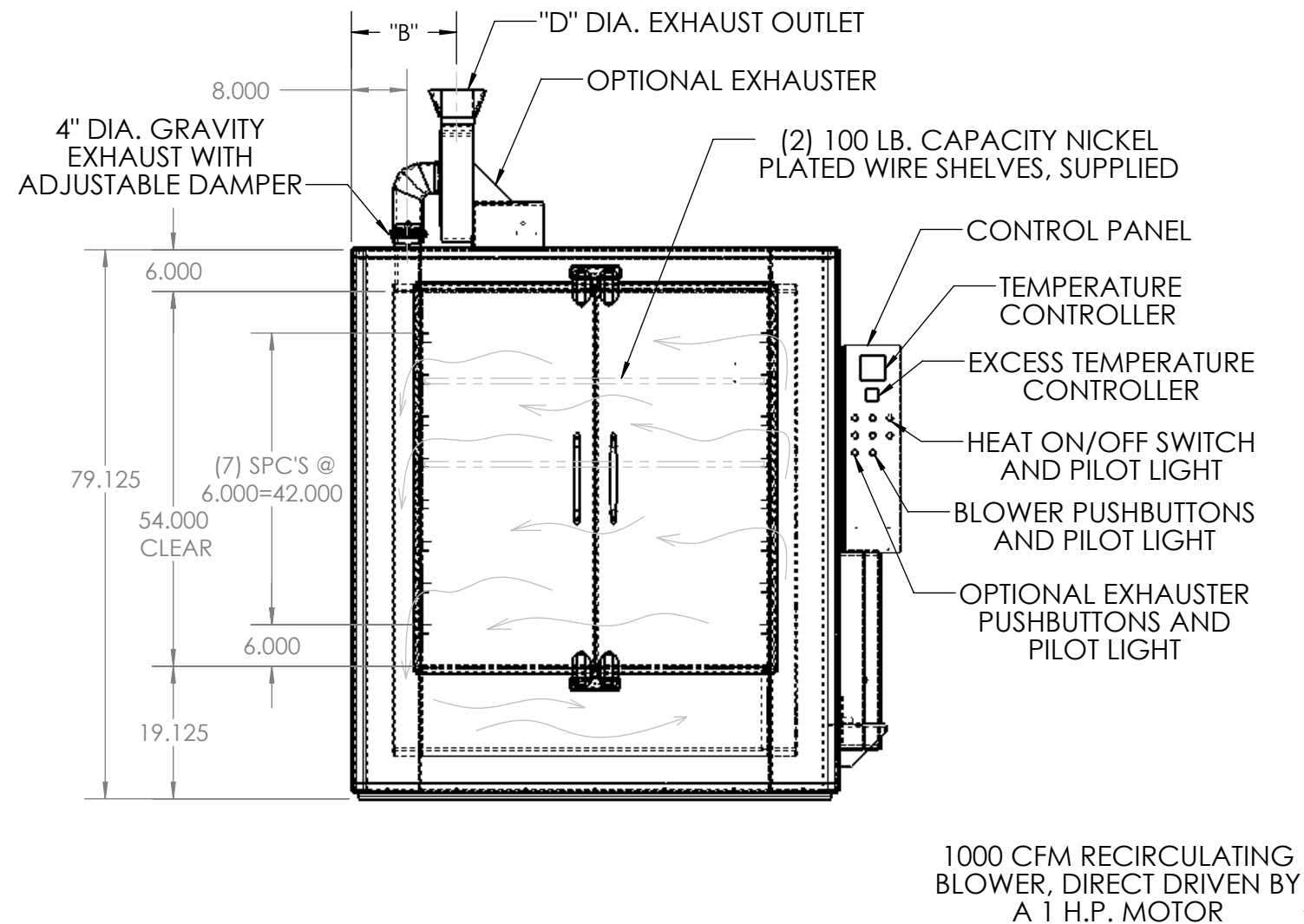
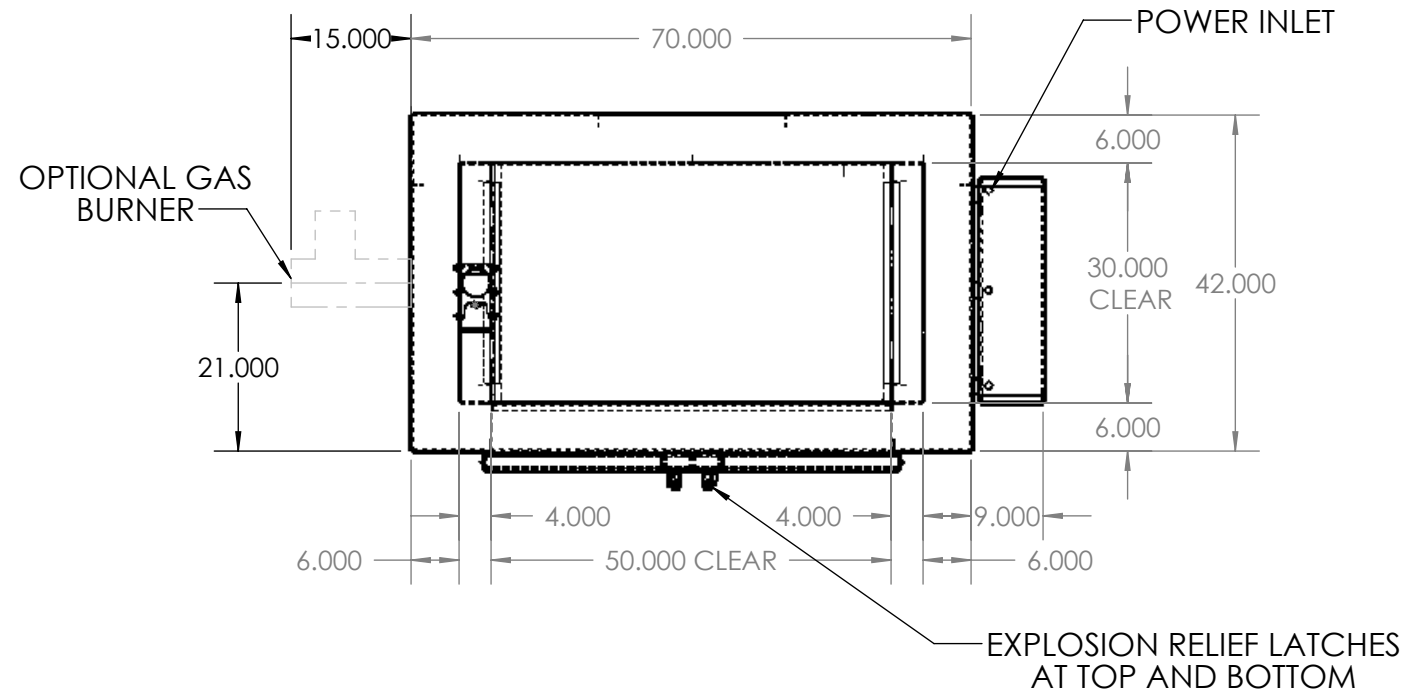


GENERAL SPECIFICATIONS

- 1 STANDARD ELECTRICAL SERVICE - 230/3/60 OR 460/3/60. OTHER ELECTRICAL SERVICE ALSO AVAILABLE
- 2 STANDARD GAS SERVICE - 1000 BTU NATURAL GAS @ 6" TO 8" W.C. PRESSURE. OTHER GAS SERVICE ALSO AVAILABLE
- 3 MAXIMUM OPERATING TEMPERATURE - SA-400 = 400 °F
SA-550 = 550 °F
- 4 HEAT INPUT - SA-400 = 9 KW, SA-550 = 12KW
- 5 INSULATION - 6"
- 6 WORKSPACE - 50" WIDE x 30" DEEP x 54" HIGH
- 7 INTERIOR - 304 STAINLESS STEEL, WITH CARBON STEEL BLOWER WHEEL
- 8 EXTERIOR - TRILITE GREEN MACHINERY ENAMEL
- 9 AIR FLOW - HORIZONTAL
- 10 GAS OVENS INCLUDE 325 CFM EXHAUSTER



POWER FORCED EXHAUSTER	"A"	"B"	"C"	"D"
80 CFM	15 1/2"	14 3/16"	18 9/16"	4"
130 CFM	20 1/2"	15"	16 7/8"	4"
325 CFM	23"	15 1/8"	14 1/2"	6"
650 CFM	23"	16 3/4"	14 1/2"	6"

REV.	DESCRIPTION	BY	DATE
DESCRIPTION			
CUSTOMER			
MODEL SA-400 / SA-550 SHELF OVENS			
SHOP ORDER			
DRAWN BY JC		DWG. NO. SA 355	
DATE		PRINT DATE 5/3/2010	

This drawing is the property of THE GRIEVE CORPORATION, and may not be used or reproduced without the express permission of THE GRIEVE CORPORATION