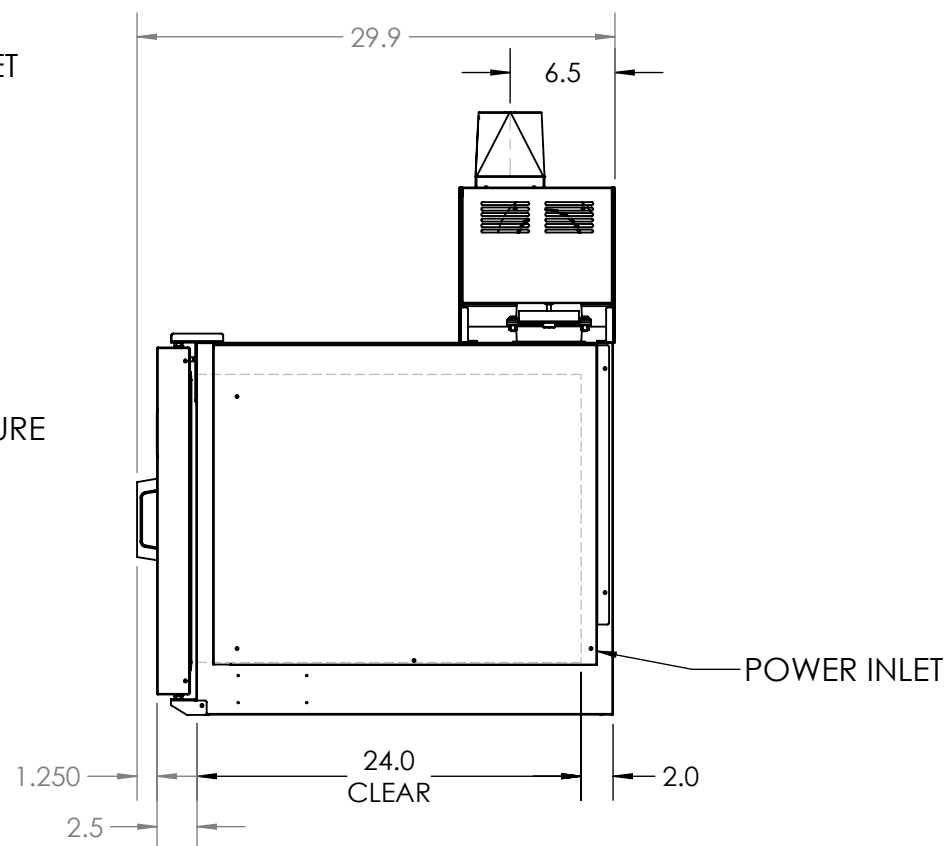
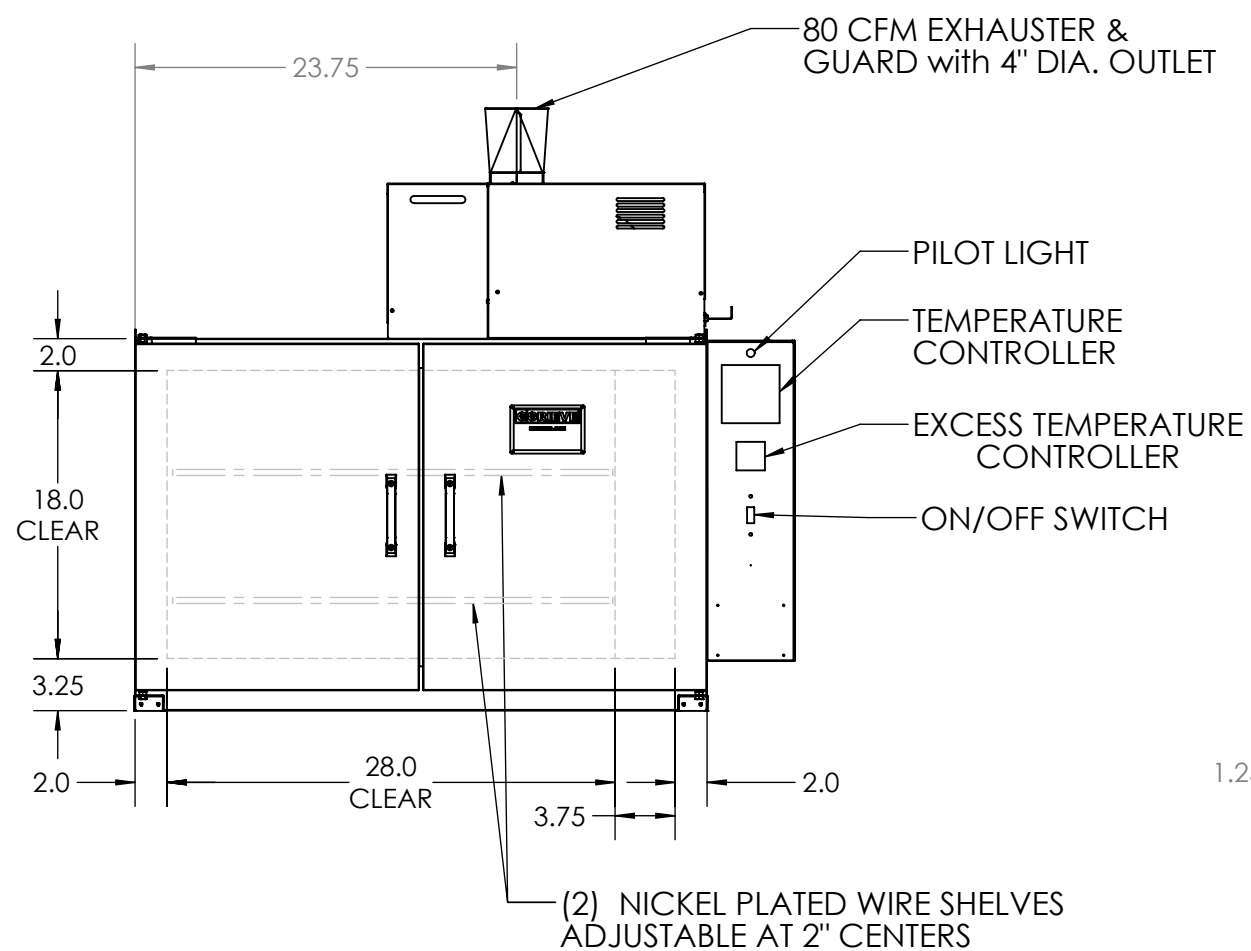


NOTE

1. MAXIMUM OPERATING TEMPERATURE: 400 DEG. F.
2. HEAT INPUT: 4000W TOTAL
3. STANDARD ELECTRICAL SERVICE: 208/1/60, 230/1/60
OTHER ELECTRICAL CHARACTERISTICS AVAILABLE.
4. AIR FLOW: HORIZONTAL
3. INTERIOR: 304 STAINLESS STEEL, WITH CARBON STEEL BLOWER WHEEL
4. EXTERIOR: COMBINATION 304 BRUSHED STAINLESS STEEL AND 304 STAINLESS STEEL



REV.	DESCRIPTION	BY	DATE
DESCRIPTION			
CUSTOMER			
MODEL		NBS-400 BENCH OVEN	
SHOP ORDER			
DRAWN BY PJD		DWG. NO.	
DATE		PRINT DATE 5/22/2013	
		NBS-400	

This drawing is the property of THE GRIEVE CORPORATION, and may not be used or reproduced without the express permission of THE GRIEVE CORPORATION