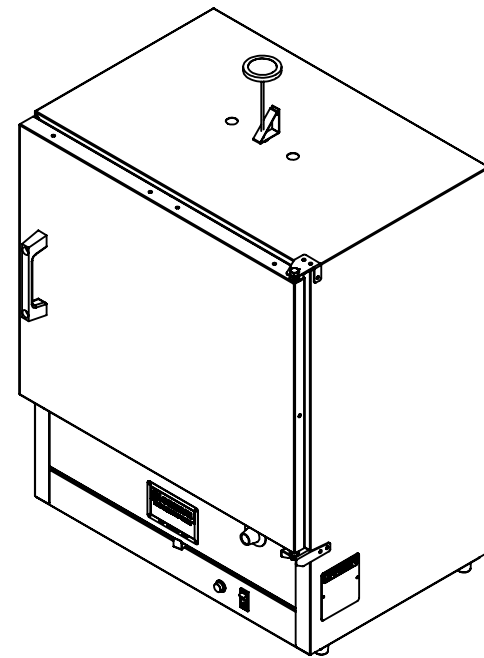
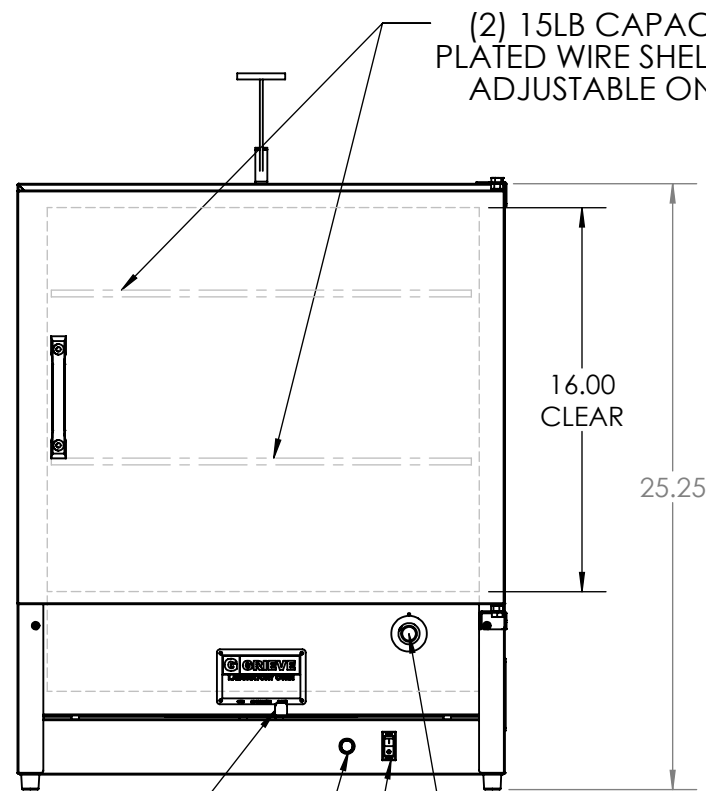


TOP MOUNTED
DIAL THERMOMETER



NOTES

1. STANDARD ELECTRICAL SERVICE:
120/1/60, 3-WIRE CORD PLUG
240/1/60
(CAN BE OPERATED ON 208 VOLTS.
HEAT INPUT WILL BE REDUCED BY 20%)
2. MAX. OPERATING TEMPERATURE:
200 DEG. C.
3. AIR FLOW: HORIZONTAL, BOTTOM TO TOP
4. INTERIOR: 304 STAINLESS STEEL
5. EXTERIOR: 304 BRUSHED STAINLESS STEEL



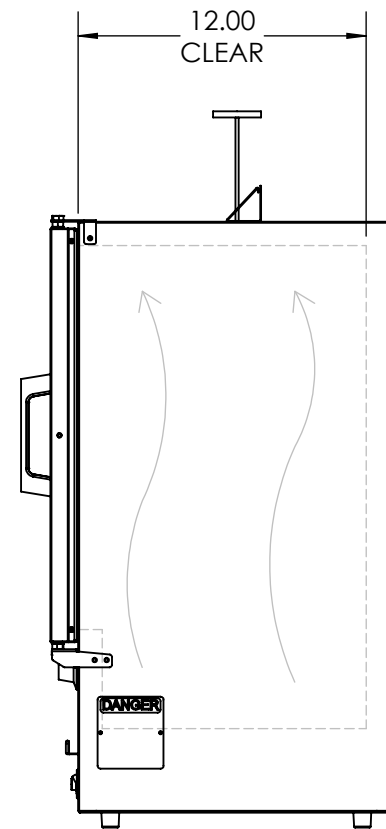
(2) 15LB CAPACITY NICKED
PLATED WIRE SHELVES SUPPLIED
ADJUSTABLE ON 1/2" CTRS.

FRESH AIR
DAMPER
CONTROL

TEMPERATURE
CONTROLLER

ON/OFF SWITCH

PILOT LIGHT



6FT POWER CORD (REAR)
(115V ONLY)

This drawing is the property of
THE GRIEVE CORPORATION,
and may not be used or reproduced
without the express permission of
THE GRIEVE CORPORATION

REV.	DESCRIPTION	BY	DATE
DESCRIPTION			
CUSTOMER			
MODEL LW-201C LABORATORY OVEN			
SHOP ORDER			
DRAWN BY PJD		DWG. NO.	
DATE		PRINT DATE 6/3/2013	LW-201C