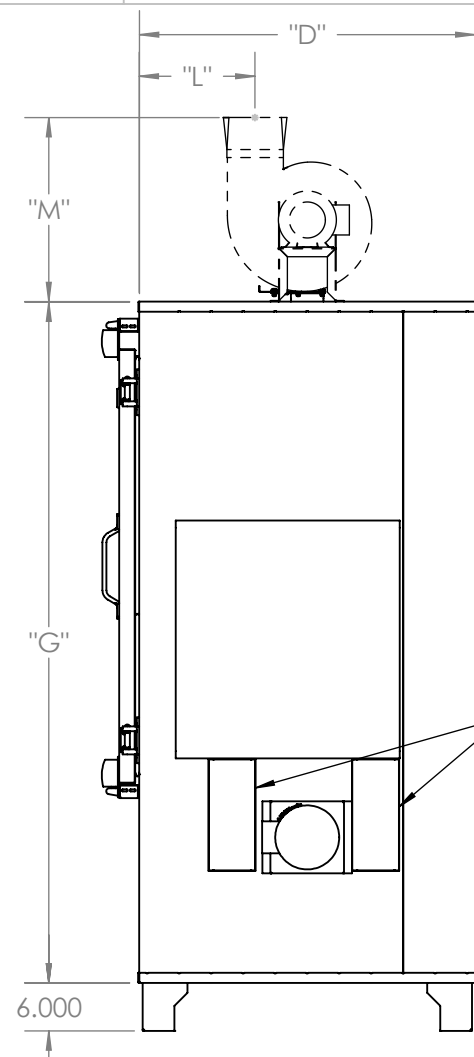
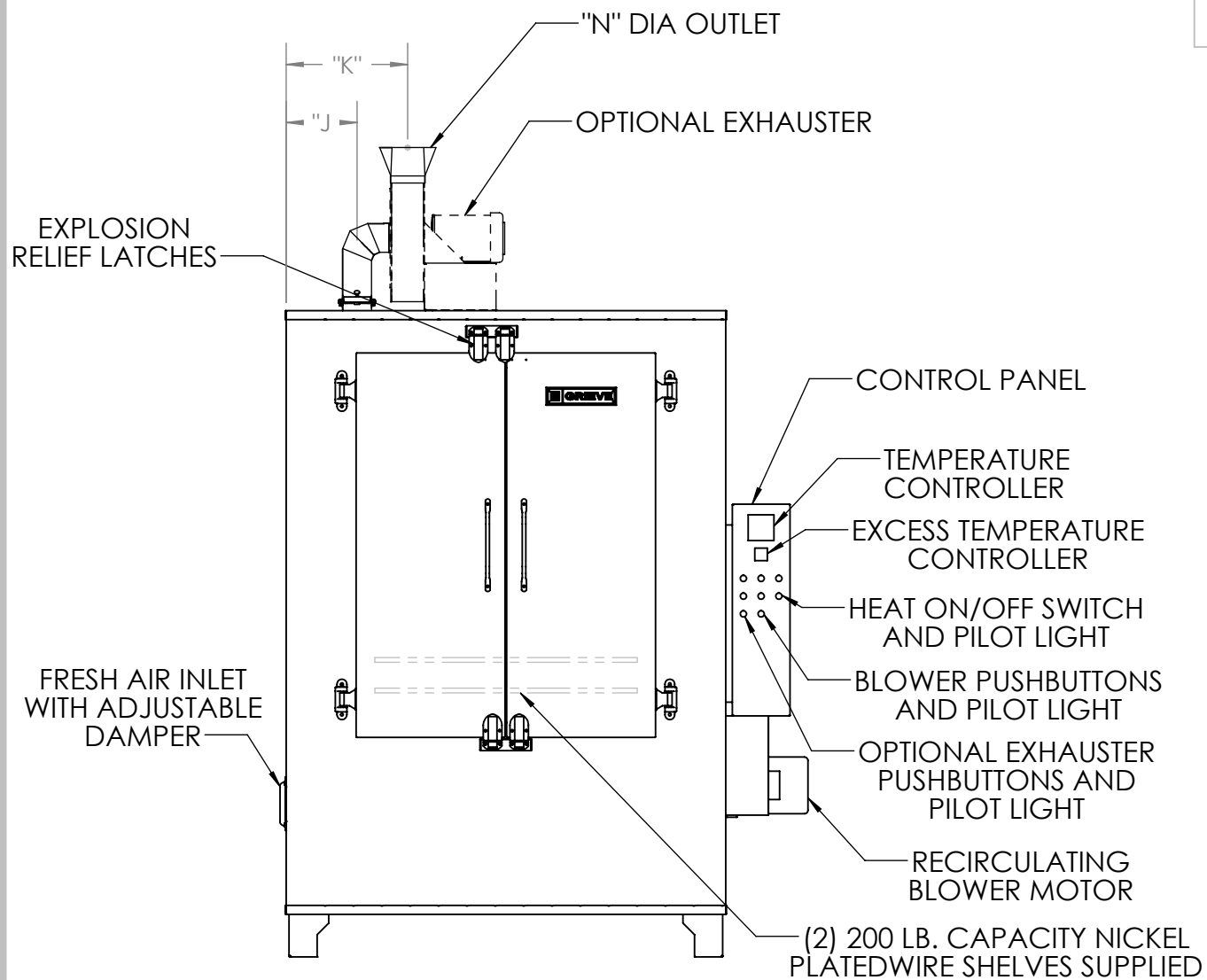


**OVEN DIMENSIONS**

MODEL	WORK SPACE W x D x H	KW	BTU/HR	CFM	MOTOR H. P.	INSULATION THICKNESS	"A"	"B"	"C"	"D"	"E"	"F"	"G"	"H"	"J"
HZ-550	38" x 26" x 50"	15	100,000	800	3/4	6"	58"	9"	67"	38"	4"	42"	81"	19"	8"
HZ-700	38" x 26" x 50"	20	150,000	800	3/4	8"	62"	9"	71"	42"	4"	46"	85"	21"	10"
HZ-850	38" x 26" x 50"	30	175,000	1,000	1	8"	62"	9"	71"	42"	4"	46"	85"	21"	10"

**OPTIONAL POWERED FORCED EXHAUSTER DIMENSIONS**

MODEL	80 CFM				130 CFM				325 CFM				650 CFM			
	"K"	"L"	"M"	"N"	"K"	"L"	"M"	"N"	"K"	"L"	"M"	"N"	"K"	"L"	"M"	"N"
HZ-550	14 3/16"	16 9/16"	17 1/8"	4"	15"	14 7/8"	20 1/2"	4"	15 1/8"	12 1/2"	23"	6"	16 3/4"	12 1/2"	23"	6"
HZ700-850					17"	16 7/8"	20 1/2"	4"	17 1/8"	14 1/2"	23"	6"	18 3/4"	14 1/2"	23"	6"



**NOTE**

- STANDARD ELECTRICAL SERVICE: 230/3/60, 460/3/60
- STANDARD GAS SERVICE: 1,000 BTU NATURAL GAS AT 6" - 8" W.C. PRESSURE. OTHER GAS SERVICE ALSO AVAILABLE
- AIR FLOW: HORIZONTAL
- INTERIOR: 304 STAINLESS STEEL, WITH CARBON STEEL BLOWER WHEEL
- EXTERIOR: ALUMINIZED STEEL, PAINTED TRILITE GREEN MACHINERY ENAMEL
- GAS OVENS INCLUDE 325 CFM EXHAUSTER

REV.	DESCRIPTION	BY	DATE
DESCRIPTION			
CUSTOMER			
MODEL			
HZ550, HZ700, HZ850 CABINET OVENS			
SHOP ORDER			
DRAWN BY JC		DWG. NO. HZ550	
DATE		PRINT DATE 5/14/2013	
		HZ850	

This drawing is the property of THE GRIEVE CORPORATION, and may not be used or reproduced without the express permission of THE GRIEVE CORPORATION