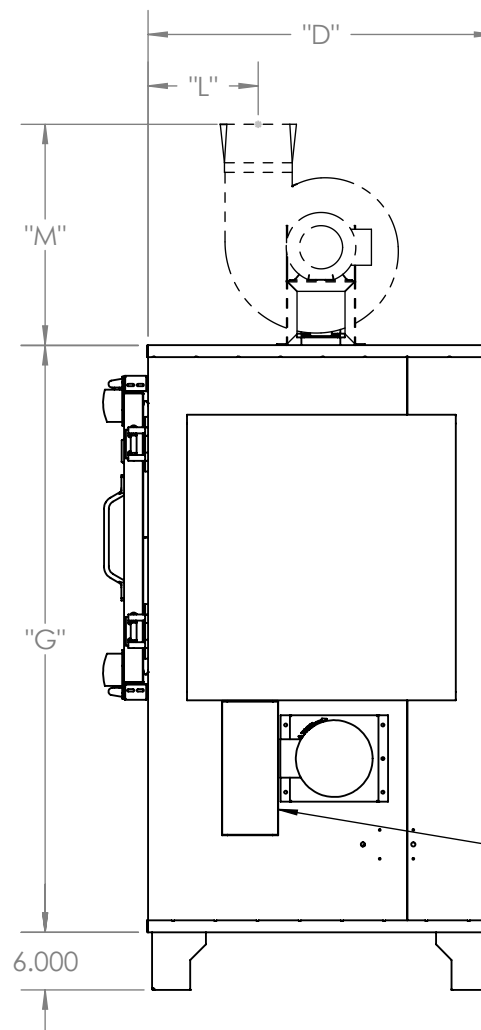
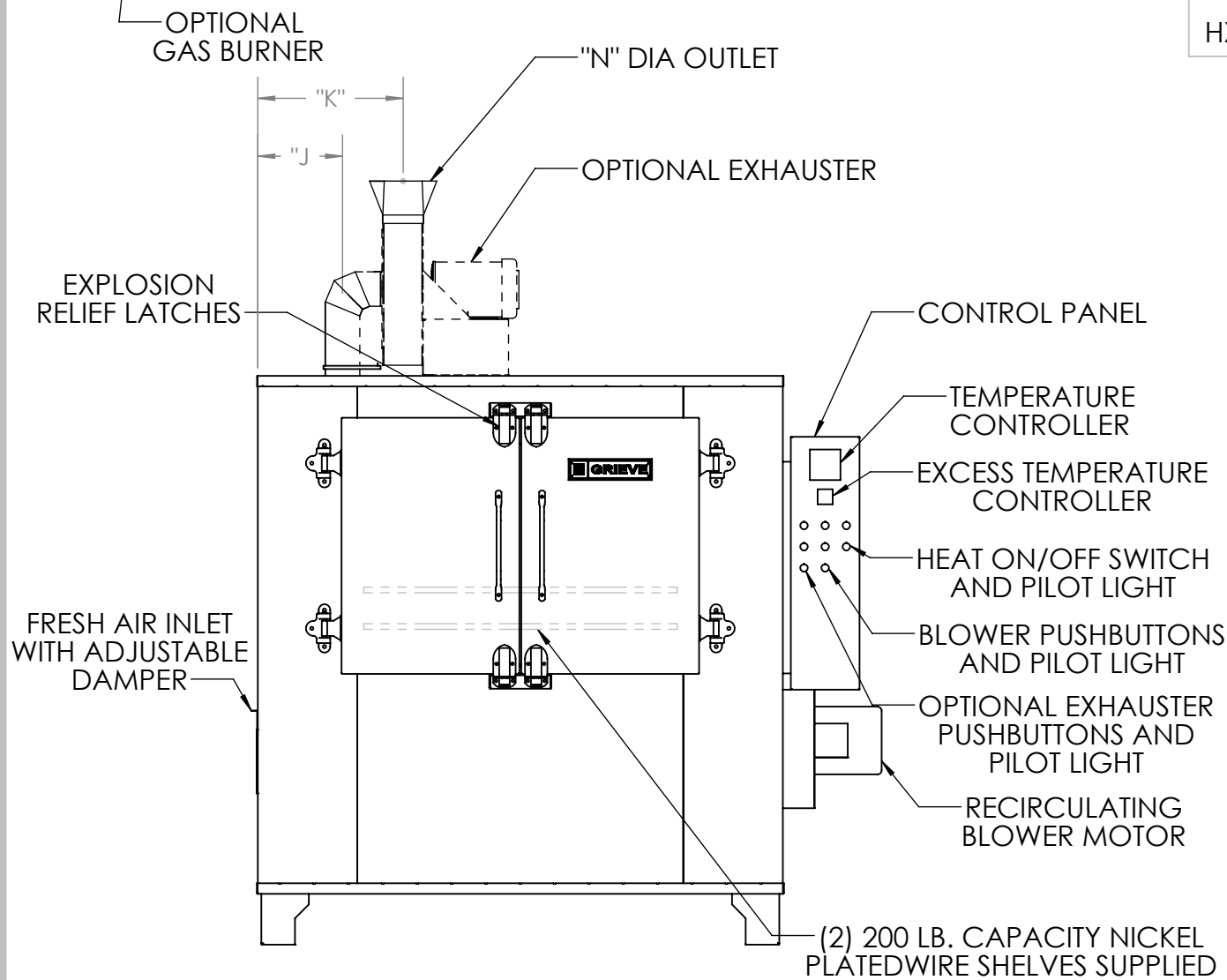


OVEN DIMENSIONS

MODEL	WORK SPACE W x D x H	KW	BTU/HR	CFM	MOTOR H. P.	INSULATION THICKNESS	"A"	"B"	"C"	"D"	"E"	"F"	"G"	"H"	"J"
HX-550	38" x 20" x 26"	8	50,000	600	1/2	6"	58"	9"	67"	32"	4"	36"	57"	16"	8"
HX-700	38" x 20" x 26"	10	75,000	600	1/2	8"	62"	9"	71"	36"	4"	40"	61"	18"	10"
HX-850	38" x 20" x 26"	15	125,000	600	1/2	8"	62"	9"	71"	36"	4"	40"	61"	18"	10"

OPTIONAL POWERED FORCED EXHAUSTER DIMENSIONS

MODEL	80 CFM				130 CFM				325 CFM				650 CFM			
	"K"	"L"	"M"	"N"	"K"	"L"	"M"	"N"	"K"	"L"	"M"	"N"	"K"	"L"	"M"	"N"
HX-550	14 3/16"	13 9/16"	17 1/8"	4"	15"	11 7/8"	20 1/2"	4"	15 1/8"	9 1/2"	23"	6"	16 3/4"	9 1/2"	23"	6"
HX700-850					17"	13 7/8"	20 1/2"	4"	17 1/8"	11 1/2"	23"	6"	18 3/4"	11 1/2"	23"	6"



NOTE

- STANDARD ELECTRICAL SERVICE: 230/3/60, 460/3/60
- STANDARD GAS SERVICE: 1,000 BTU NATURAL GAS AT 6" - 8" W.C. PRESSURE. OTHER GAS SERVICE ALSO AVAILABLE
- AIR FLOW: HORIZONTAL
- INTERIOR: 304 STAINLESS STEEL, WITH CARBON STEEL BLOWER WHEEL
- EXTERIOR: ALUMINIZED STEEL, PAINTED TRILITE GREEN MACHINERY ENAMEL
- GAS OVENS INCLUDE 325 CFM EXHAUSTER

REV.	DESCRIPTION	BY	DATE
DESCRIPTION			
CUSTOMER			
MODEL			
HX550, HX700, HX850 CABINET OVENS			
SHOP ORDER			
DRAWN BY	JC	DWG. NO.	HX550 HX850
DATE	PRINT DATE	5/14/2013	

This drawing is the property of THE GRIEVE CORPORATION, and may not be used or reproduced without the express permission of THE GRIEVE CORPORATION