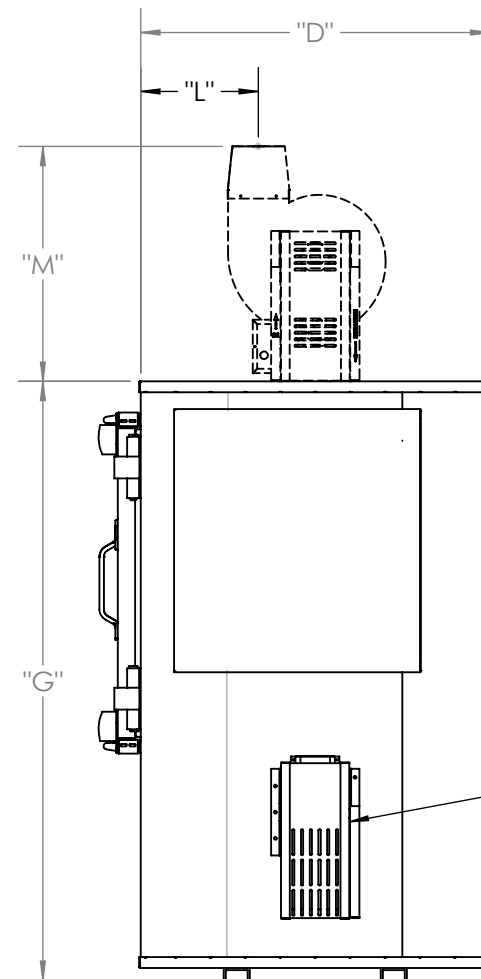
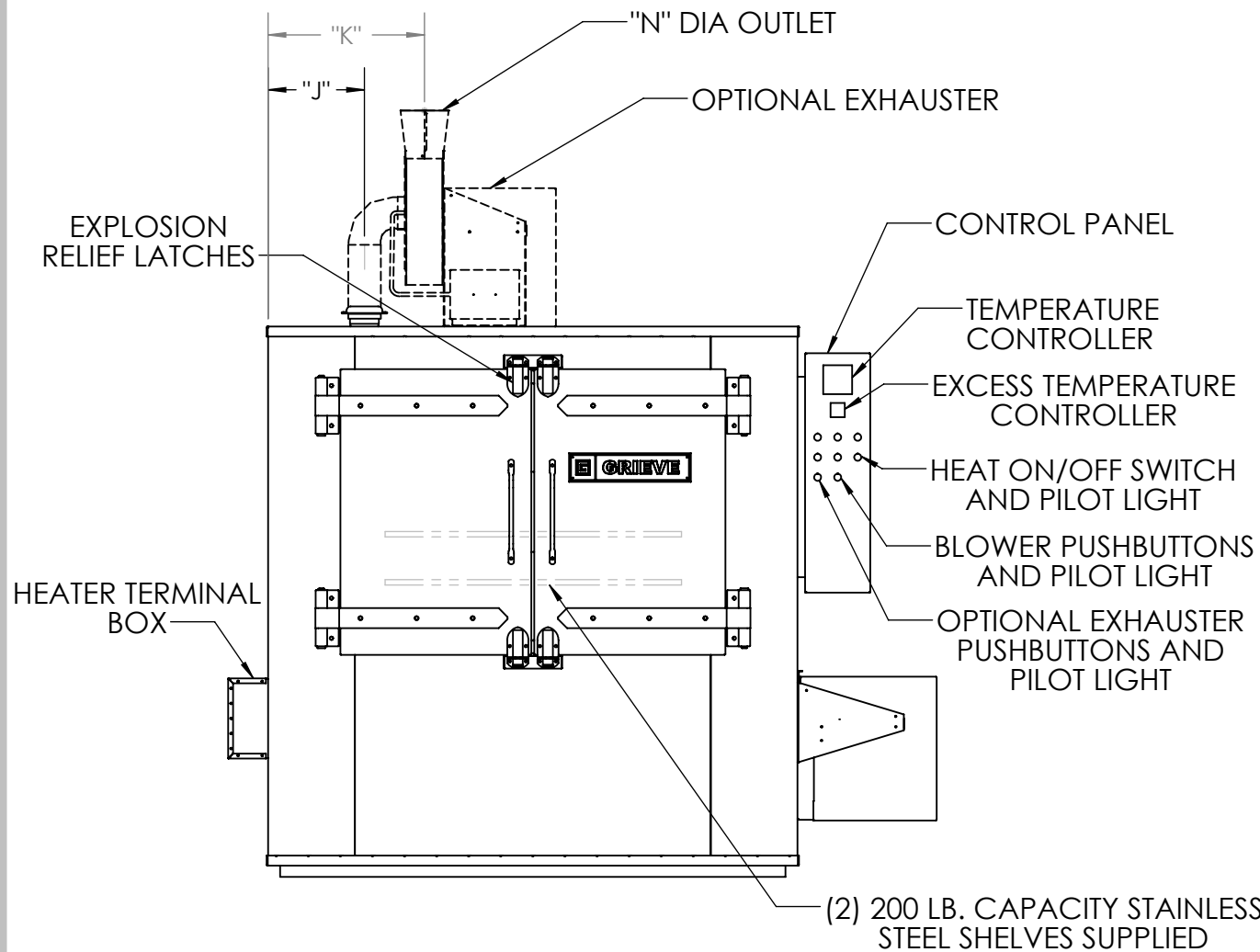


OVEN DIMENSIONS

MODEL	WORK SPACE W x D x H	KW	BTU/HR	CFM	MOTOR H. P.	INSULATION THICKNESS	"A"	"B"	"C"	"D"	"E"	"F"	"G"	"H"	"J"
HX-1050	38" x 20" x 26"	20	150,000	1000	3/4	10"	66"	17 1/4"	83 1/4"	40"	5"	45"	68 1/2"	20"	12"
HX-1250	38" x 20" x 26"	30	175,000	1200	1	12"	70"	17 1/4"	87 1/4"	44"	5"	49"	72 1/2"	22"	14"

OPTIONAL POWERED FORCED EXHAUSTER DIMENSIONS

MODEL	130 CFM				325 CFM				650 CFM			
	"K"	"L"	"M"	"N"	"K"	"L"	"M"	"N"	"K"	"L"	"M"	"N"
HX-1050	19 1/2"	15 1/2"	20 1/2"	4"	19 1/2"	13 1/2"	27"	6"	19 1/2"	13 1/2"	27"	6"
HX-1250	21 1/2"	17 1/2"	20 1/2"	4"	21 1/2"	15 1/2"	27"	6"	20 1/2"	15 1/2"	27"	6"



NOTE

- STANDARD ELECTRICAL SERVICE: 208/3/60, 230/3/60, 460/3/60
- STANDARD GAS SERVICE: 1,000 BTU NATURAL GAS AT 6" - 8" W.C. PRESSURE. OTHER GAS SERVICE ALSO AVAILABLE
- AIR FLOW: HORIZONTAL
- INTERIOR: 304 STAINLESS STEEL, WITH STAINLESS STEEL BLOWER WHEEL
- EXTERIOR: ALUMINIZED STEEL, PAINTED TRILITE GREEN MACHINERY ENAMEL
- GAS OVENS INCLUDE 325 CFM EXHAUSTER

REV.	DESCRIPTION	BY	DATE
DESCRIPTION			
CUSTOMER			
MODEL HX-1050, HX-1250 HIGH TEMPERATURE CABINET OVENS			
SHOP ORDER			
DRAWN BY	JC	DWG. NO.	HX-1050
DATE	PRINT DATE		HX-1250
	7/9/2013		

This drawing is the property of THE GRIEVE CORPORATION, and may not be used or reproduced without the express permission of THE GRIEVE CORPORATION