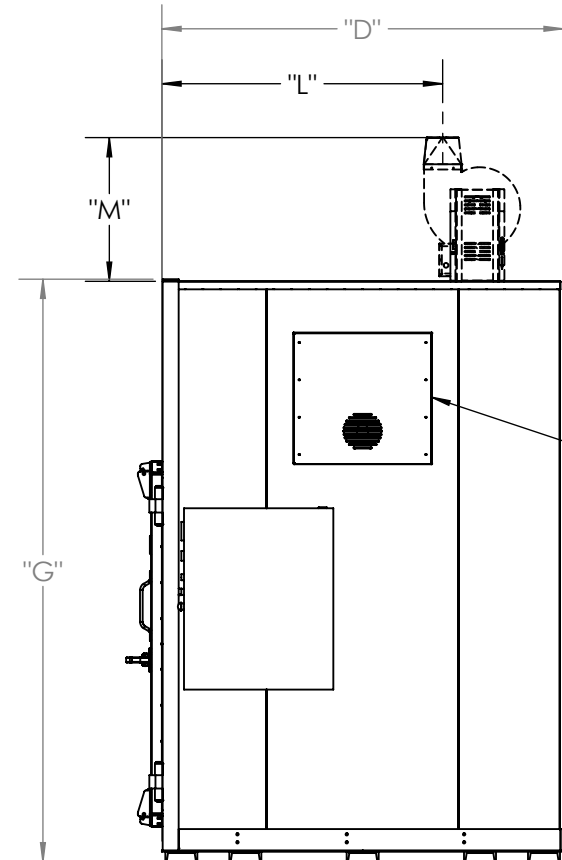
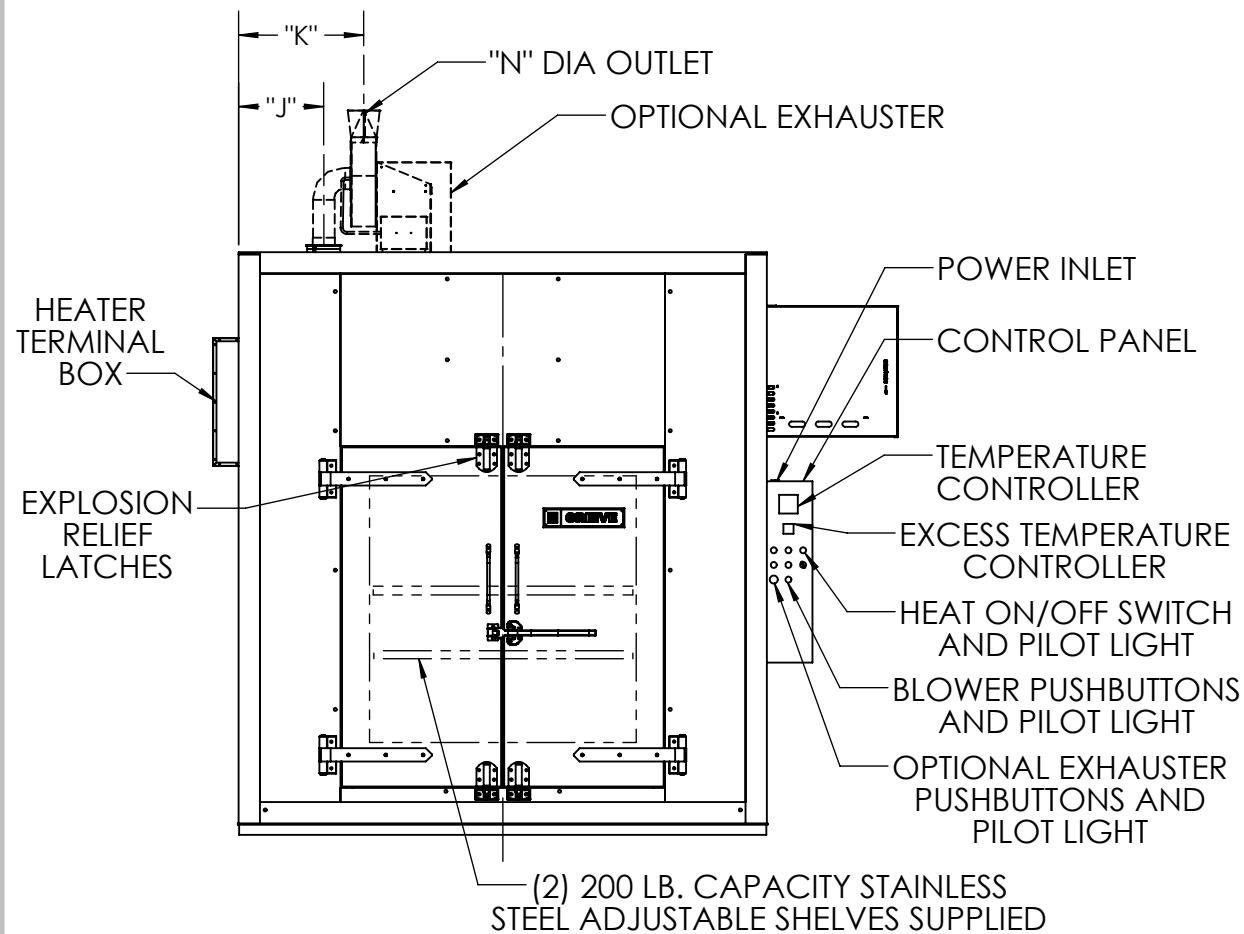


OVEN DIMENSIONS

MODEL	WORK SPACE W x D x H	KW	BTU/HR	CFM	MOTOR H. P.	INSULATION THICKNESS	"A"	"B"	"C"	"D"	"E"	"F"	"G"	"H"	"J"
HC-1050	50" x 50" x 50"	80	500,000	3750	3	10"	94 1/2"	25"	124 1/2"	71.25"	6.75	78"	105 1/4"	13 1/2"	14"
HC-1250	50" x 50" x 50"	120	700,000	4200	5	12"	98 1/2"	25"	128 1/2"	75.25"	6.75	82"	109 1/4"	15 1/2"	16"

OPTIONAL POWERED FORCED EXHAUSTER DIMENSIONS

	325 CFM				650 CFM			
	"K"	"L"	"M"	"N"	"K"	"L"	"M"	"N"
HC-1050	21 1/2"	50 5/8"	27"	6"	23"	50 5/8"	27"	6"
HC-1250	23 1/2"	52 5/8"	27"	6"	25"	52 5/8"	27"	6"



NOTE

- STANDARD ELECTRICAL SERVICE: 208/3/60, 230/3/60, 460/3/60
- STANDARD GAS SERVICE: 1,000 BTU NATURAL GAS AT 6" - 8" W.C. PRESSURE. OTHER GAS SERVICE ALSO AVAILABLE
- AIR FLOW: HORIZONTAL
- INTERIOR: 304 STAINLESS STEEL, WITH STAINLESS STEEL BLOWER WHEEL
- EXTERIOR: ALUMINIZED STEEL, PAINTED TRILITE GREEN MACHINERY ENAMEL
- 1050 GAS OVEN INCLUDES 325 CFM EXHAUSTER
- 1250 GAS OVEN INCLUDES 650 CFM EXHAUSTER

REV.	DESCRIPTION	BY	DATE
DESCRIPTION			
CUSTOMER			
MODEL HC-1050, HC-1250 HIGH TEMPERATURE CABINET OVENS			
SHOP ORDER			
DRAWN BY	PJD	DWG. NO.	HC-1050 HC-1250
DATE	PRINT DATE	11/16/2016	

This drawing is the property of THE GRIEVE CORPORATION, and may not be used or reproduced without the express permission of THE GRIEVE CORPORATION