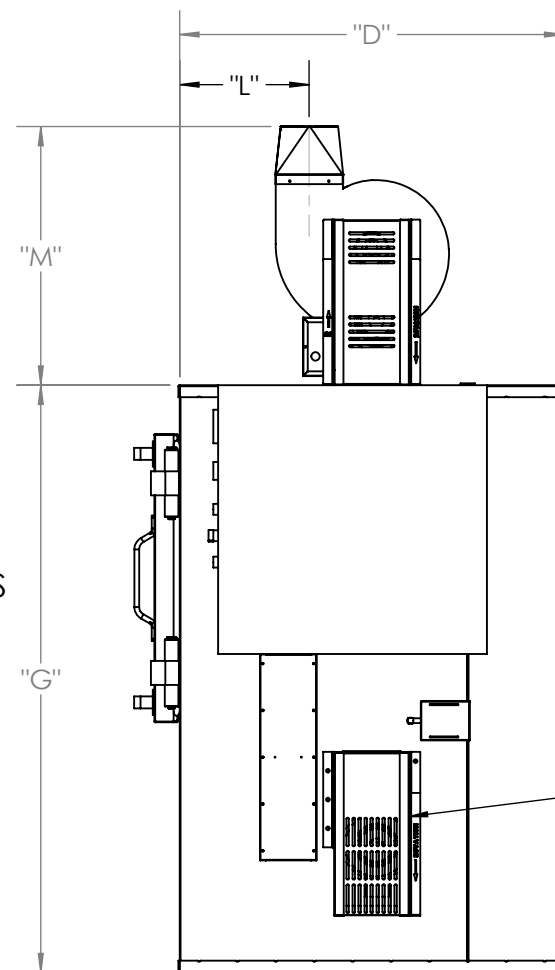
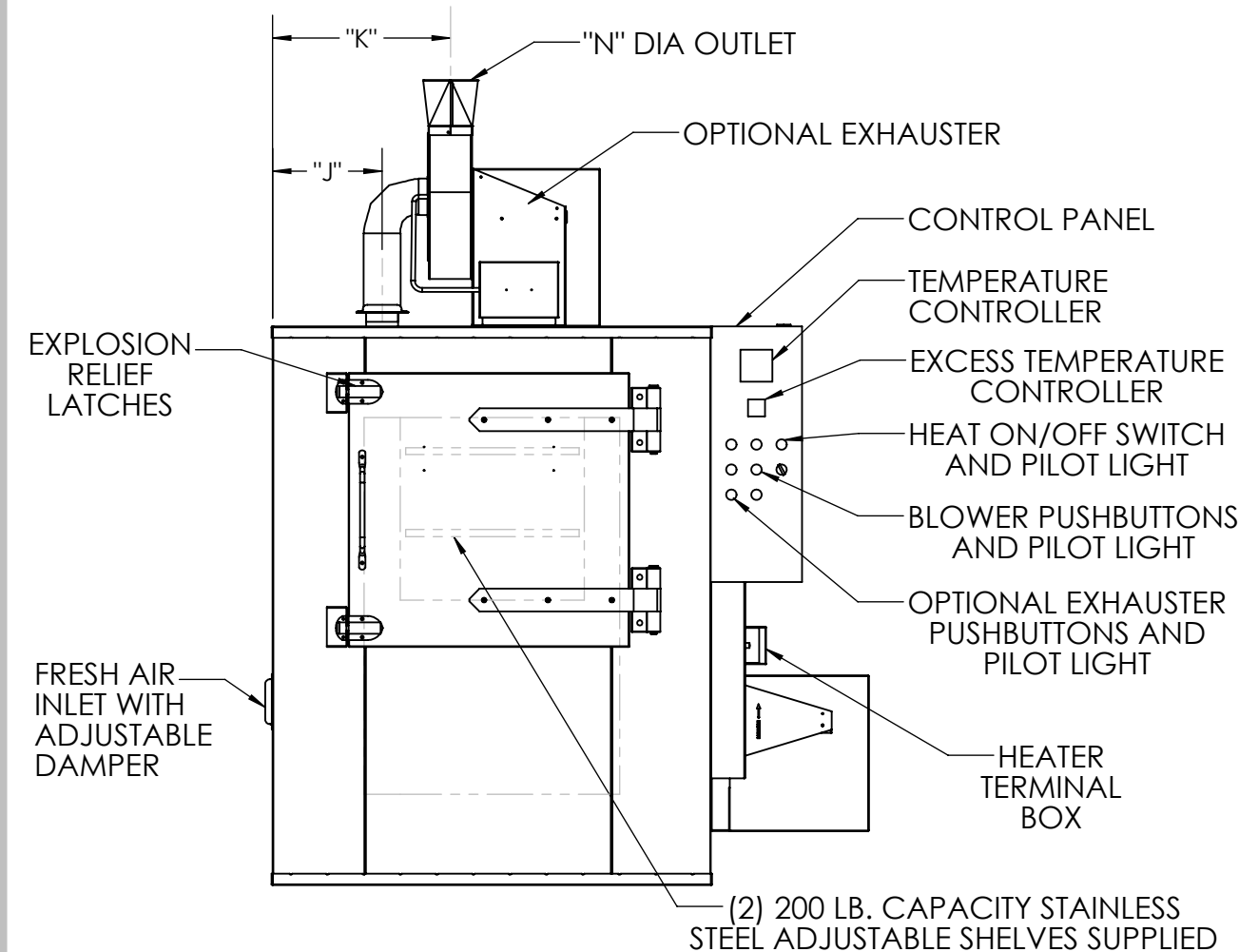


OVEN DIMENSIONS

MODEL	WORK SPACE W x D x H	KW	BTU/HR	CFM	MOTOR H. P.	INSULATION THICKNESS	"A"	"B"	"C"	"D"	"E"	"F"	"G"	"H"	"J"
HA-1050	20" x 20" x 20"	15	90,000	700	1/2	10"	48"	17 1/4"	65 1/4"	40"	5"	45"	61 1/4"	20"	12"
HA-1250	20" x 20" x 20"	20	125,000	1000	3/4	12"	52"	17 1/4"	69 1/4"	44"	5"	49"	65 1/4"	22"	14"

OPTIONAL POWERED FORCED EXHAUSTER DIMENSIONS

MODEL	130 CFM				325 CFM				650 CFM			
	"K"	"L"	"M"	"N"	"K"	"L"	"M"	"N"	"K"	"L"	"M"	"N"
HA-1050	19 1/2"	15 1/2"	20 1/2"	4"	19 1/2"	13 1/2"	27"	6"	21"	13 1/2"	27"	6"
HA-1250	21 1/2"	17 1/2"	20 1/2"	4"	21 1/2"	15 1/2"	27"	6"	23"	15 1/2"	27"	6"



NOTE

- STANDARD ELECTRICAL SERVICE: 208/3/60, 230/3/60, 460/3/60
- STANDARD GAS SERVICE: 1,000 BTU NATURAL GAS AT 6" - 8" W.C. PRESSURE. OTHER GAS SERVICE ALSO AVAILABLE
- AIR FLOW: HORIZONTAL
- INTERIOR: 304 STAINLESS STEEL, WITH STAINLESS STEEL BLOWER WHEEL
- EXTERIOR: ALUMINIZED STEEL, PAINTED TRILITE GREEN MACHINERY ENAMEL
- GAS OVENS INCLUDE 325 CFM EXHAUSTER

(2) 200 LB. CAPACITY STAINLESS STEEL ADJUSTABLE SHELVES SUPPLIED

This drawing is the property of THE GRIEVE CORPORATION, and may not be used or reproduced without the express permission of THE GRIEVE CORPORATION

REV.	DESCRIPTION	BY	DATE
DESCRIPTION			
CUSTOMER			
MODEL HA-1050, HA-1250 HIGH TEMPERATURE CABINET OVENS			
SHOP ORDER			
DRAWN BY	PJD	DWG. NO.	HA-1050
DATE	PRINT DATE		HA-1250
	7/9/2013		