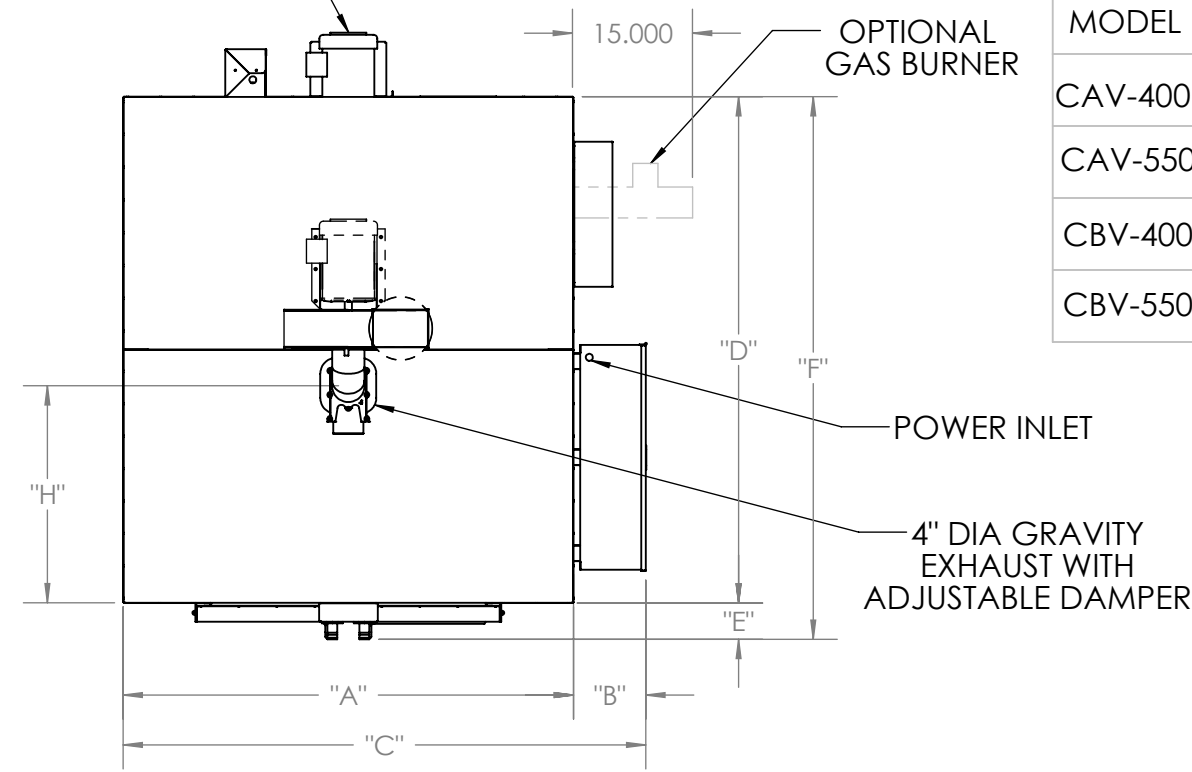


RECIRCULATING BLOWER MOTOR

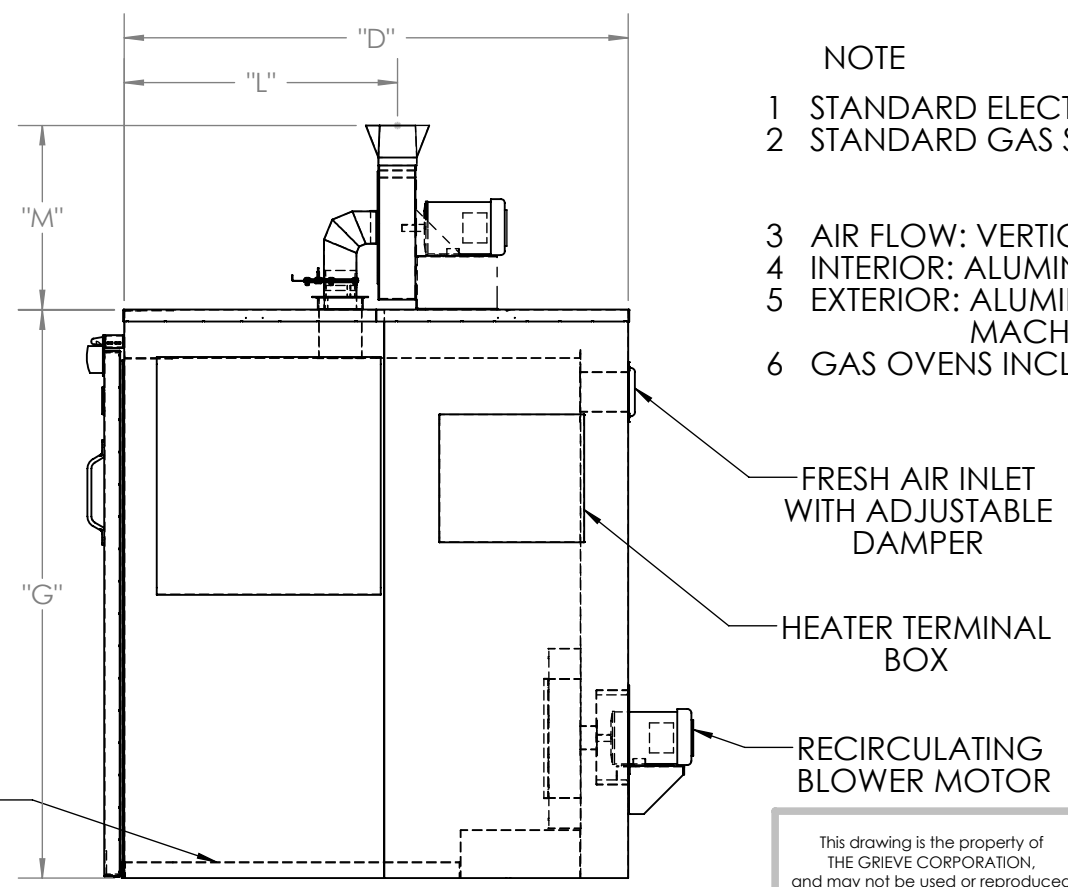
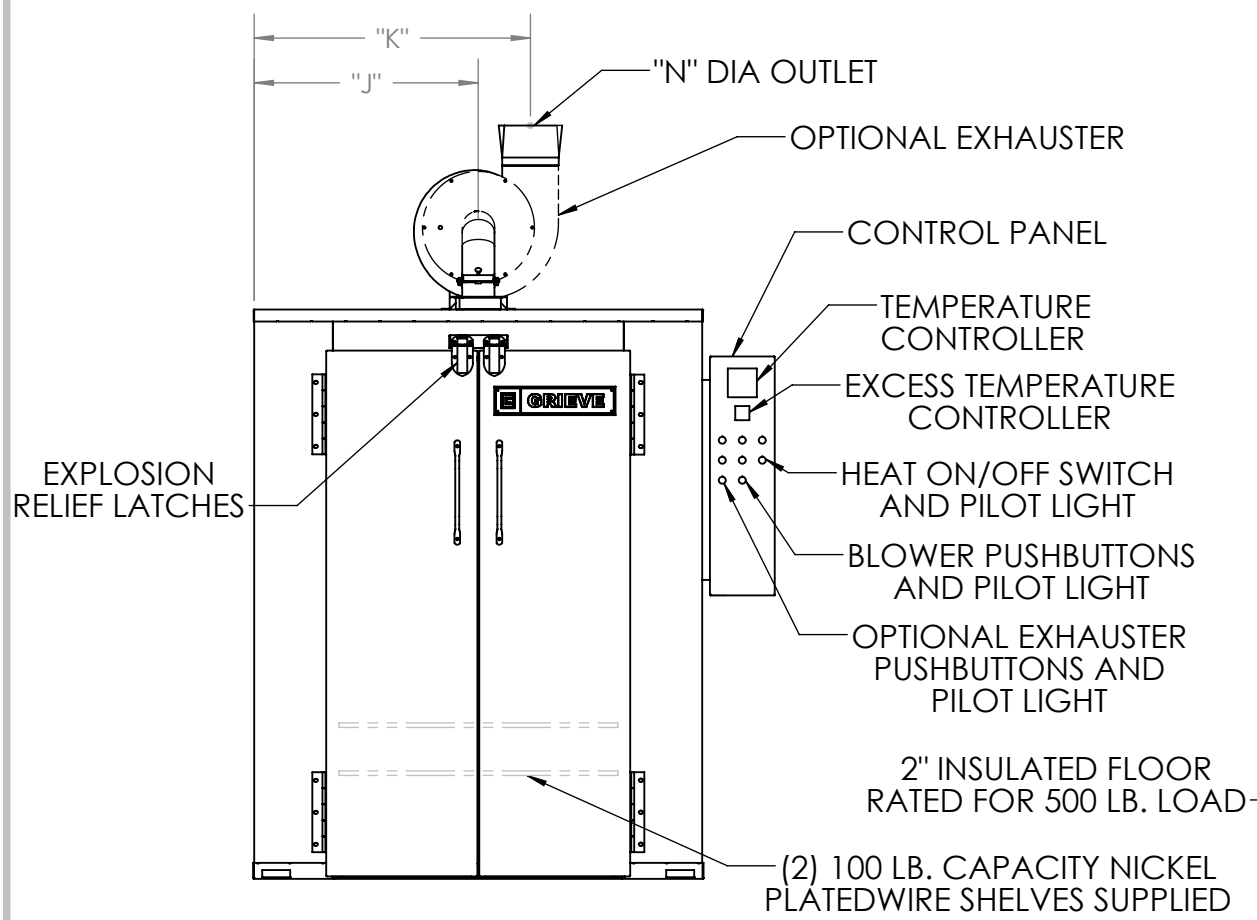


OVEN DIMENSIONS

MODEL	WORK SPACE W x D x H	KW	BTU/HR	CFM	MOTOR H. P.	INSULATION THICKNESS	"A"	"B"	"C"	"D"	"E"	"F"	"G"	"H"	"J"
CAV-400	36" x 36" x 60"	12	100,000	1,000	3/4	6"	56"	9"	65"	63"	4"	67"	71"	27"	28"
CAV-550	36" x 36" x 60"	18	150,000	1,000	3/4	6"	56"	9"	65"	63"	4"	67"	71"	27"	28"
CBV-400	48" x 48" x 60"	18	125,000	1,200	1	6"	68"	9"	77"	75"	4"	79"	71"	33"	34"
CBV-550	48" x 48" x 60"	24	175,000	1,200	1	6"	68"	9"	77"	75"	4"	79"	71"	33"	34"

OPTIONAL POWERED FORCED EXHAUSTER DIMENSIONS

MODEL	80 CFM				130 CFM				325 CFM				650 CFM			
	"K"	"L"	"M"	"N"	"K"	"L"	"M"	"N"	"K"	"L"	"M"	"N"	"K"	"L"	"M"	"N"
CAV-400	30 7/16"	33 3/16"	17 1/8"	4"	32 1/8"	34"	20 1/2"	4"	34 1/2"	34 1/8"	23"	6"	34 1/2"	35 3/4"	23"	6"
CAV-550	30 7/16"	33 3/16"	17 1/8"	4"	32 1/8"	34"	20 1/2"	4"	34 1/2"	34 1/8"	23"	6"	34 1/2"	35 3/4"	23"	6"
CBV-400	36 7/16"	39 3/16"	17 1/8"	4"	36 1/8"	40"	20 1/2"	4"	40 1/2"	40 1/8"	23"	6"	40 1/2"	41 3/4"	23"	6"
CBV-550	36 7/16"	39 3/16"	17 1/8"	4"	36 1/8"	40"	20 1/2"	4"	40 1/2"	40 1/8"	23"	6"	40 1/2"	41 3/4"	23"	6"



NOTE

- STANDARD ELECTRICAL SERVICE: 230/3/60, 460/3/60
- STANDARD GAS SERVICE: 1,000 BTU NATURAL GAS AT 6" - 8" W.C. PRESSURE. OTHER GAS SERVICE ALSO AVAILABLE
- AIR FLOW: VERTICAL
- INTERIOR: ALUMINIZED STEEL
- EXTERIOR: ALUMINIZED STEEL, PAINTED TRILITE GREEN MACHINERY ENAMEL
- GAS OVENS INCLUDE 325 CFM EXHAUSTER

REV.	DESCRIPTION	BY	DATE
DESCRIPTION			
CUSTOMER			
MODEL CAV400, CAV550, CBV400, CBVH550 FLOOR LEVEL CABINET OVENS			
SHOP ORDER			
DRAWN BY	JC	DWG. NO.	CAV400 CAV550 CBV400 CBV550
DATE		PRINT DATE	5/14/2013

This drawing is the property of THE GRIEVE CORPORATION, and may not be used or reproduced without the express permission of THE GRIEVE CORPORATION