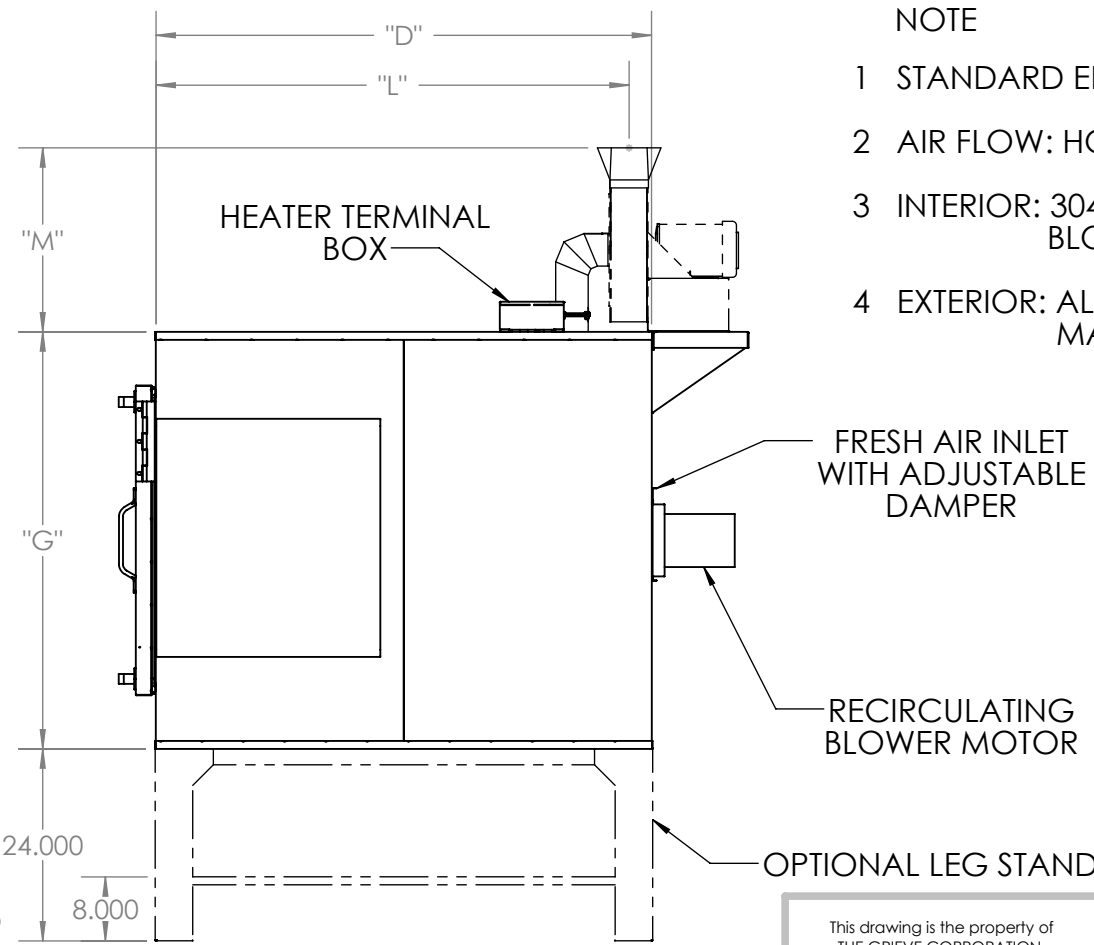
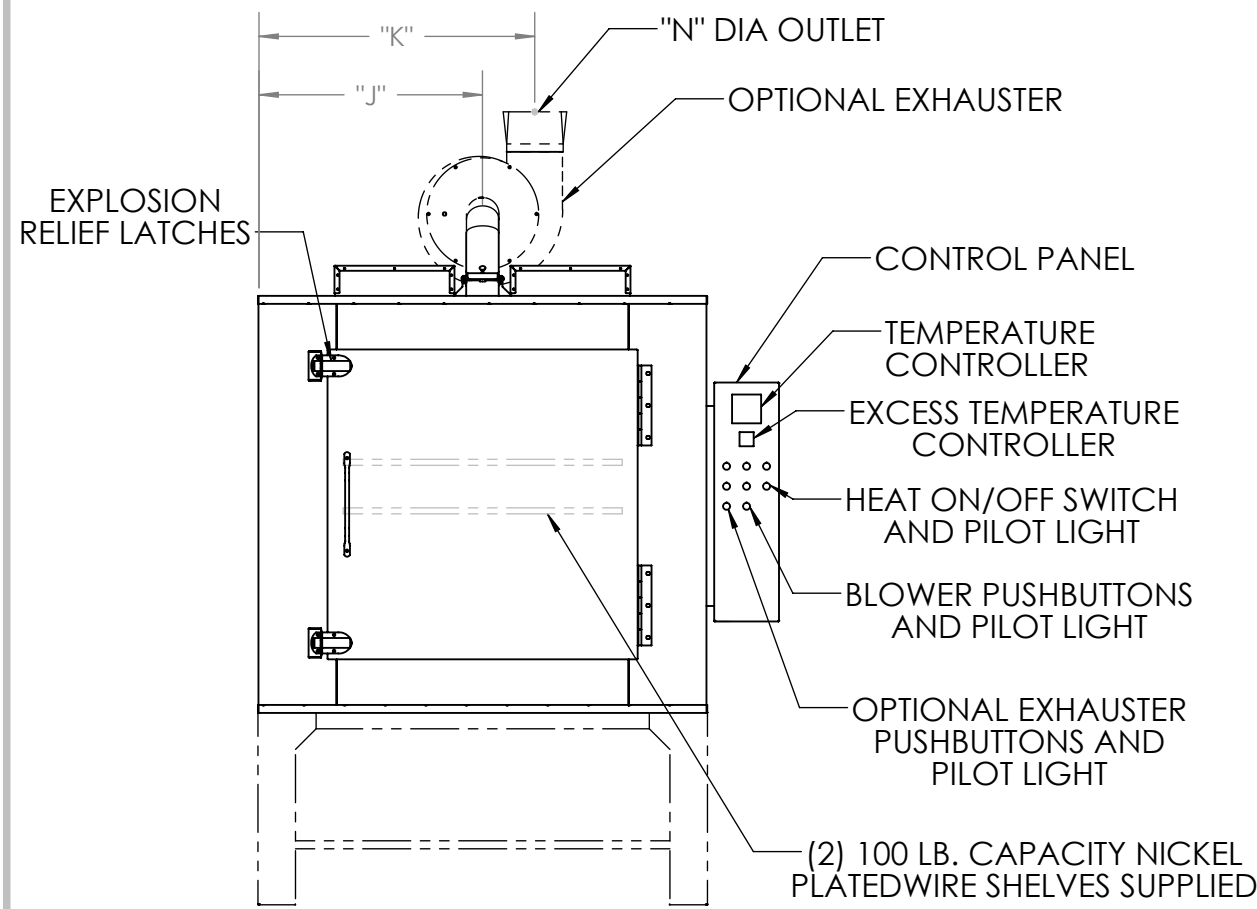


OVEN DIMENSIONS

MODEL	WORK SPACE W x D x H	KW	VOLUME CU. FT.	CFM	MOTOR H. P.	INSULATION THICKNESS	"A"	"B"	"C"	"D"	"E"	"F"	"G"	"H"	"J"
AB-550	36" x 36" x 36"	7	27	600	1/2	6"	52"	9"	61"	60"	4"	64"	48"	52"	26"
AB-700	36" x 36" x 36"	9	27	600	1/2	8"	56"	9"	65"	64"	4"	68"	52"	54"	28"
AB-850	36" x 36" x 36"	12	27	600	1/2	8"	56"	9"	65"	64"	4"	68"	52"	54"	28"

OPTIONAL POWERED FORCED EXHAUSTER DIMENSIONS

MODEL	80 CFM				130 CFM				325 CFM							
	"K"	"L"	"M"	"N"	"K"	"L"	"M"	"N"	"K"	"L"	"M"	"N"				
AB-550	28 7/16"	58 3/16"	17 1/8"	4"	30 1/8"	59"	20 1/2"	4"	32 1/2"	59 1/8"	23"	6"				
AB-700-850					32 1/8"	61"	20 1/2"	4"	34 1/2"	61 1/8"	23"	6"				



NOTE

- 1 STANDARD ELECTRICAL SERVICE: 230/3/60, 460/3/60
- 2 AIR FLOW: HORIZONTAL, FRONT TO BACK
- 3 INTERIOR: 304 STAINLESS STEEL, WITH CARBON STEEL BLOWER WHEEL
- 4 EXTERIOR: ALUMINIZED STEEL, PAINTED TRILITE GREEN MACHINERY ENAMEL

REV.	DESCRIPTION	BY	DATE
	DESCRIPTION		
	CUSTOMER		
	MODEL	AB-550, AB-700, AB-850, HORIZONTAL UNIVERSAL OVENS	
	SHOP ORDER		
	DRAWN BY	JC	DWG. NO.
	DATE	PRINT DATE	AB-550 AB-850
		3/9/2011	

This drawing is the property of THE GRIEVE CORPORATION, and may not be used or reproduced without the express permission of THE GRIEVE CORPORATION