

# General Specifications



## UT35A/UT32A Digital Indicating Controllers

GS 05P01D31-01EN

[Style: S5]

### Overview

The UT35A/UT32A digital indicating controllers employ an easy-to-read, 14-segment large color LCD display, along with navigation keys, thus greatly increasing the monitoring and operating capabilities. A ladder sequence function is included as standard. The short depth of the controller helps save instrument panel space. The UT35A/UT32A also support open networks such as Ethernet communication.

### Features

- A 14-segment, active (PV display color changing function) color LCD display is employed. Two five-digit, high-resolution displays are possible. Alphabet letters can be displayed in an easy-to-read manner. The guide display shows parameter names.
- Easy to operate  
Navigation keys (SET/ENTER and Up/Down/Left/Right arrow keys) are employed to facilitate making settings.
- 65 mm depth  
The small depth enables the mounting in a thin and small instrumented panel.
- Ladder sequence function is included as standard. This function allows for creating a simple sequence control. Dedicated LL50A Parameter Setting Software (sold separately) allows for performing programming using a ladder language.
- Various built-in open network functions such as Ethernet are available. Easy connection with various vendors' PLCs is possible.
- Quick setting function  
Setting only the minimum necessary parameters for operation is possible.
- Equipped with a multitude of functions  
Universal I/O are included as standard. PID control, heating/cooling control, etc. are available.



UT35A

UT32A

Table of Number of Inputs and Outputs

Model and suffix code (See the model code)	Number of analog input points	Number of analog output points (*1)	Number of contact input points	Number of contact output points (*3)
UT35A				
-x0x	1	1	2	3
-x1x	1	1	4	5
-x2x	1	1 (*2)	7	8
UT32A				
-x0x	1	1	2	3
-x1x	1	1	2	3
-x2x	1	1 (*2)	4	5

\*1: Excluding control output

\*2: In the case of cooling control output is analog output, it can not be used for transmission output.

\*3: Excluding control output relays

### Functional Specifications

#### Control Specifications

##### (1) Control Mode

Single-loop control

##### (2) Control period

200 ms

### Control Computation Function

#### (1) Types of control

- PID control
- ON/OFF control (\*4)
- Two-position two-level control (\*5)
- Heating and cooling control (\*5)

\*4: Not selectable for Position proportional type

\*5: Selectable for heating and cooling control

**(2) Control Computation Function**

- (a) Target setting point and the number of PID parameter groups  
 Respectively, four sets of target setpoints, alarm setpoints, and PID parameters can be set.
- (b) Selecting the PID parameter group  
 The following PID parameter groups can be selected.
  - Target setpoint number (SPNO) (The PID number can be set arbitrarily.)
  - Measured input zone PID
  - Target setpoint zone PID
  - Reached target setpoint zone PID
- (c) Auto-tuning  
 • Tuning results can be selected from two options, Normal or Stable.
- Tuning output limit can be set. (It cannot be used in heating/cooling control.)
- (d) "Super" function: Overshoot-suppressing function
- (e) "Super 2" function: Hunting-suppressing function
- (f) STOP preset output function
- (g) Input ERROR preset output function
- (h) MANUAL preset output function

**(3) Operation Mode Switching**

<b>Operation mode switching</b>	AUTO/MANUAL and RUN/STOP switching REMOTE/LOCAL switching (only model with communication option)
---------------------------------	-----------------------------------------------------------------------------------------------------

**(4) Control Parameter Setting Range**

<b>Proportional band</b>	0.1 to 999.9%
<b>Integral time</b>	1 to 6000 sec. or OFF (using manual reset)
<b>Derivative time</b>	1 to 6000 sec. or OFF
<b>ON/OFF control hysteresis (one or two hysteresis points)</b>	0.0 to 100.0% of measured input range width
<b>Preset output value</b>	-5.0 to 105.0% (however, 0 mA or less cannot be output)
<b>High/low output limiter</b>	-5.0 to 105.0% Low limit setpoint < high limit setpoint
<b>Tight shut function</b>	When manual control is carried out with 4 to 20 mA output, control output can be reduced to about 0 mA.
<b>Rate-of-change limiter of output</b>	0.1 to 100.0%/sec., OFF
<b>Output deadband</b>	For heating and cooling control: -100.0 to 50.0% For position proportional control: 1.0 to 10.0%

**(5) Ladder computation period**

Ladder computation period is the same as control period.

**Alarm Functions**

- Types of Alarm

<b>Measured value alarm</b>	PV (measured value) high/low limit alarm Deviation high/low limit alarm Deviation high and low limits alarm
<b>Deviation alarm</b>	Deviation within high and low limits alarm
<b>Rate-of-change alarm</b>	Analog input PV high/low limit alarm Feedback input high/low limit alarm PV rate-of-change alarm
<b>Setpoint alarm</b>	SP (setpoint) high/low limit alarm Target SP high/low limit alarm Target SP deviation high/low limit alarm Target SP deviation high and low limits alarm Target SP deviation within high and low limits alarm
<b>Output alarm</b>	Control output high/low limit alarm Cooling control output high/low limit alarm
<b>Other alarms</b>	Heater disconnection alarm (for /HA option) Self-diagnosis alarm FAIL

- Alarm Functions

<b>Alarm output action</b>	Alarm stand-by action Alarm latch (forced reset) function Alarm hysteresis Alarm ON/OFF delay timer
<b>Number of alarm settings</b>	4
<b>Number of alarm output points</b>	Up to 8 (differs by model code)

**Contact I/O Function**

This function allows for allocating the input error condition, operation condition, alarm condition or other conditions to the contact input and contact output.

<b>Contact input</b>	AUTO/MANUAL switching
	REMOTE/LOCAL switching (only model with communication option)
	STOP/START switching
	Switching to AUTO
	Switching to MANUAL
	Switching to REMOTE (only model with communication option)
	Switching to LOCAL (only model with communication option)
	AUTO-TUNING START/STOP switching
	LCD backlight ON/OFF switching
	Message interrupt displays 1 through 4
<b>Contact output</b>	SP number specification
	PID number specification
	Manual preset output number specification
	Alarms 1 through 4
	Status output

**Ladder Sequence Function**

**(1) Number of I/O Points**

	<b>UT35A</b>	<b>UT32A</b>
<b>Number of digital input points</b>	Up to 7	Up to 4
<b>Number of digital output points</b>	Up to 8	Up to 5

This is limited by the number of contact I/O signal points. (See the model code.)

**(2) Types of Command**

	<b>Number of commands</b>	<b>Remark</b>
<b>Number of basic command types</b>	13	Load, AND, OR, Timer, Counter, etc.
<b>Number of application command types</b>	73	Comparison, reverse, addition/subtraction/multiplication/division, logic operation, high/low limiter, etc.

**(3) Sequence Device**

	<b>Types of device</b>	<b>Number of points</b>
<b>Digital I/O</b>	Input relay	7 (max)
	Output relay	8 (max)
<b>Internal device</b>	M relay (bit data)	256
	DAT register (data)	28
	P register (parameter)	10
	K register (constant)	30
<b>Special device</b>	Special relay (bit data)	12

Process data and process relay can be used besides the above-mentioned.

**(4) Program capacity**

Max Program capacity: 300 steps \*

\*: Available number of steps differs according to the parameters and using command.

**Communication Function**

	Function	Method	Interface	Targets	Max connection	Communication Data
<b>Modbus/TCP</b>	A standard industry protocol allowing communications between the controller and devices such as PCs, PLCs, and DCSSs.	Server	Ethernet	PLC and others	2 connections	PV, SP, OUT, ALM etc
		Gateway	Ethernet +RS-485	RS-485: UT55A/UT52A/ UT35A/UT32A/ UP55A/UP35A/ UM33A (*1)	31 units	
Slave		RS-485	PLC and others, UT55A/UT52A/ UT35A/UT32A/ UP55A/UP35A/ UM33A (*2)	31 units		
<b>PROFIBUS-DP</b>	Slave	RS-485	PLC and others	Number of nodes: 126		
	Modbus master function	RS-485	UT55A/UT52A/ UT35A/UT32A/ UP55A/UP35A	31 Units (Main Controller is included.)		
<b>CC-Link</b>	Used for communication between PLCs and remote I/O, enabling high-speed data transmission.	Slave	RS-485	PLC and others	Number of nodes: 42 (Remote device)	
		Modbus master function	RS-485	UT55A/UT52A/ UT35A/UT32A/ UP55A/UP35A	31 Units (Main Controller is included.)	
<b>DeviceNet</b>		Slave	RS-485	PLC and others	Number of nodes: 64	
	Modbus master function	RS-485	UT55A/UT52A/ UT35A/UT32A/ UP55A/UP35A	31 Units (Main Controller is included.)		
<b>Peer to peer</b>	A protocol allowing multiple controllers to send and receive data between one another. The Ladder Program is used.	Multi-drop	RS-485 (2 wire only)	UT55A/UT52A/ UT35A/UT32A/ UP55A/UP35A	Read/Write: 4 units Read only : 28 units	
<b>Coordinated Communication</b>	A protocol to coordinate the operation of two or more instruments controlling the same process.	Master/Slave	RS-485	UT55A/UT52A/ UT35A/UT32A/ UP55A/UP35A(*2)	Master : 1 unit Slave : 31 units	
<b>PC link</b>	The proprietary Yokogawa protocol allowing communications to PCs, PLCs and touch panels.	Slave	RS-485	PC and others, UT55A/UT52A/ UT35A/UT32A/ UP55A/UP35A/ UM33A(*2)	31units	
<b>Ladder</b>	A protocol to communicate to PLCs.					

\*1: UT digital indicating controller, Signal conditioner JUXTA, Power monitor POWERCERT can be connected.

\*2: UT digital indication controllers can be connected.

**Physical interface**

**Ethernet** Standard : IEEE802.3 (10BASE-T, 100BASE-TX)  
Max segment length : 100m  
Max. Connecting Configuration : Cascade Max. 4 level (10BASE-T), Max. 2 level (100BASE-TX)

**RS-485** Standard : EIA RS-485  
Communication method : Two-wire half-duplex or four-wire half-duplex, start-stop synchronization, and non-procedural  
Baud rate : 600,1200,2400,4800,9600,19200 or 38400bps Peer to peer communication is only 19200bps  
Maximum communication distance : 1200m  
Terminating resistor : 220Ω (External)

**PROFIBUS-DP** Standard : Field bus (IEC61158)  
Corresponding version : DP V0  
Baud rate : 9.6k, 19.2k, 45.45k, 93.75k, 187.5k, 0.5M, 1.5M, 3M, 6M, 12M, AUTO (\*3)  
Communication distance : 1200m (9.6k to 93.75k) 1000m (187.5k)  
400m (0.5M) 200m (1.5M)  
100m (3M to 12M)

\*3: AUTO automatically sets the baud rate to that of the host controller (PROFIBUS-DP master).

**CC-Link** Supported on version : Remote device (Ver.1.10, Ver.2.00)  
Baud rate : 156k, 625k, 2.5M, 5M, 10M bps  
Transmission distance : 1.2km (156k bps), 600m (625k bps), 200m (2.5M bps), 150m (5M bps), 100m (10M bps)  
When used optical repeater : 7.6 km (156k) to 4.3 km (10M)

**DeviceNet** Field bus (IEC61158)  
Baud rate 125k, 250k, 500k bps  
Transmission distance 500m (125k bps), 250m (250k bps), 100m (500k bps)

## ■ Hardware Specifications

### Display Specifications

- PV display  
5-digit, 14-segment active color LCD (white/red)  
Character height: 21.5 mm for UT35A and 13.0 mm for UT32A
- Data display  
5-digit, 11-segment color LCD (orange)
- Bar graph display  
12-segment color LCD (orange)

### Universal Input Specifications

- Number of input points: 1
- Types of input, instrument range, and measurement accuracy (see the table below)

Types of input	Instrument range		Accuracy	
	°C	°F		
Thermocouple	K	-270.0 to 1370.0°C	-450.0 to 2500.0°F	±0.1% of instrument range ±1 digit for 0°C or more
		-270.0 to 1000.0°C	-450.0 to 2300.0°F	
		-200.0 to 500.0°C	-200.0 to 1000.0°F	
	J	-200.0 to 1200.0°C	-300.0 to 2300.0°F	±0.2% of instrument range ±1 digit for less than 0°C
		-270.0 to 400.0°C	-450.0 to 750.0°F	
	T	0.0 to 400.0°C	-200.0 to 750.0°F	However, ±2% of instrument range ±1 digit for less than -200°C of thermocouple K ±1% of instrument range ±1 digit for less than -200°C of thermocouple T
	B	0.0 to 1800.0°C	32 to 3300°F	±0.15% of instrument range ±1 digit for 400°C or more
	S	0.0 to 1700.0°C	32 to 3100°F	±0.15% of instrument range ±1 digit
	R	0.0 to 1700.0°C	32 to 3100°F	
	N	-200.0 to 1300.0°C	-300.0 to 2400.0°F	±0.1% of instrument range ±1 digit
	E	-270.0 to 1000.0°C	-450.0 to 1800.0°F	±0.25% of instrument range ±1 digit for less than 0°C
		-200.0 to 900.0°C	-300.0 to 1600.0°F	
	L	-200.0 to 400.0°C	-300.0 to 750.0°F	±0.1% of instrument range ±1 digit for less than 0°C
		-200.0 to 400.0°C	-300.0 to 750.0°F	
	U	0.0 to 400.0°C	-200.0 to 1000.0°F	However, ±1.5% of instrument range ±1 digit for less than -200.0°C of thermocouple E
	W (*2)	0.0 to 2300.0°C	32 to 4200°F	±0.2% of instrument range ±1 digit
	Platinel 2	0.0 to 1390.0°C	32.0 to 2500.0°F	±0.1% of instrument range ±1 digit
	PR20-40	0.0 to 1900.0°C	32 to 3400°F	±0.5% of instrument range ±1 digit for 800°C or more Accuracy not guaranteed for less than 800°C
	W97 Re3-W75 Re25	0.0 to 2000.0°C	32 to 3600°F	±0.2% of instrument range ±1 digit
Resistance-temperature detector (RTD) 3-wire	JPt100	-200.0 to 500.0°C	-300.0 to 1000.0°F	±0.1% of instrument range ±1 digit (*1)
		-150.00 to 150.00°C	-200.0 to 300.0°F	±0.1% of instrument range ±1 digit
	Pt100	-200.0 to 850.0°C	-300.0 to 1560.0°F	±0.1% of instrument range ±1 digit (*1)
		-200.0 to 500.0°C	-300.0 to 1000.0°F	±0.1% of instrument range ±1 digit
Standard signal	0.400 to 2.0000 V	-	±0.1% of instrument range ±1 digit	
	1.000 to 5.000 V	-		
	4.00 to 20.00 mA	-		
DC voltage	0.000 to 2.000 V	-	±0.1% of instrument range ±1 digit	
	0.00 to 10.00 V	-		
	-10.00 to 20.00 mV	-		
DC current	0.00 to 20.00 mA	-		

The accuracy is that in the standard operating conditions: 23 ±2°C, 55 ±10%RH, and power frequency at 50/60 Hz.

- \*1: ±0.3°C and ±1 digit in the range between 0 and 100°C  
±0.5°C ±1 digit in the range between -100 and 200°C
- \*2: W-5% Re/W-26% Re (Hoskins Mfg.Co.), ASTM E988
- Applicable standards: JIS, IEC and DIN (ITS-90) for thermocouples and resistance-temperature detectors (RTD)
- Input sampling period: Synchronized to control period
- Burnout detection  
Upscale and downscale of function, and OFF can be specified for the standard signal of thermocouple and resistance-temperature detector (RTD).  
For integrated signal input, 0.1 V or 0.4 mA or less is judged as a burnout.
- Input bias current: 0.05 µA (for thermocouple and resistance-temperature detector (RTD))
- Resistance-temperature detector (RTD) measured current: About 0.16 mA
- Input resistance  
1 MΩ or more for thermocouple/mV input  
About 1 MΩ for voltage input  
About 250 Ω for current input (with built-in shunt resistance)
- Allowable signal source resistance  
250 Ω or less for thermocouple/mV input  
Effect of signal source resistance: 0.1 µV/Ω or less  
2 kΩ or less for DC voltage input  
Effect of signal source resistance: about 0.01%/100 Ω
- Allowable wiring resistance  
Up to 150 Ω per line for resistance-temperature detector (RTD) input (conductor resistance between the three lines shall be equal)  
Effect of wiring resistance: ±0.1°C/10 Ω
- Allowable input voltage/current  
±10 V DC for thermocouple/mV/mA or resistance-temperature detector (RTD) input  
±20 V DC for V input  
±40 mA DC for mA input
- Noise reduction ratio  
40 dB or more (at 50/60 Hz) in normal mode  
120 dB or more (at 50/60 Hz) in common mode
- Reference junction compensation error  
±1.0°C (15 to 35°C)  
±1.5°C (-10 to 5°C and 35 to 50°C)

**Analog Output Specifications**

- Number of points
  - Control output (heating-side output): 1 point (standard), which is shared with transmission output
  - Cooling-side output: 1 point, which is shared with transmission output
- Output functions
  - Current output or voltage pulse output
- Current output
  - 4 to 20 mA DC or 0 to 20 mA DC/load resistance 600  $\Omega$  or less
- Current output accuracy
  - $\pm 0.1\%$  of span (however,  $\pm 5\%$  of span for 1 mA or less)
  - The accuracy is that in the standard operating conditions:  $23 \pm 2^\circ\text{C}$ ,  $55 \pm 10\%\text{RH}$ , and power frequency at 50/60 Hz
- Voltage pulse output
  - Application: time proportional output
  - ON voltage: 12 V or more/load resistance of 600  $\Omega$  or more
  - OFF voltage: 0.1 V DC or less
  - Time resolution: 10 ms or 0.1% of output value, whichever is larger

**Relay Contact Output Specifications**

- Types of contact and number of points
  - Control relay output: one 1c-contact point
  - Control output of heating and cooling control: 2 1a-contact points
  - Alarm output: 3 1a-contact points (Common is separated)
- Contact rating
  - 1c-contact: 3 A at 250 V AC or 3 A at 30 V DC (resistance load)
  - 1a-contact:
    - For alarm output: 1 A at 240 V AC or 1 A at 30 V DC (resistance load)
    - For output of heating and cooling control relay output: 3 A at 240 V AC or 3 A at 30 V DC (resistance load)
- \*: This cannot be used for a small load of 10 mA or less.
- Application: time proportional output, alarm output, FAIL output, etc.
- Time resolution for control output: 10 ms or 0.1% of output value, whichever is larger

**Step Response Time Specifications**

1 s

(Response time at 63% of transmission output when a change is made stepwise in the range between 10 and 90% of input span)

**Position Proportional Output Specifications**

- Position signal input
  - Slide resistance: 100  $\Omega$  to 2.5 k $\Omega$  of total resistance
  - 100% side and slide line: with disconnection detection
  - 0% side: without disconnection detection
  - Current input: 4 to 20 mA DC (with disconnection detection)
- Sampling period: 50 ms
- Measurement resolution: 0.1% of input span
- Position proportional relay output
  - UT35A: Two 1a-contact points, 3 A at 250 V AC or 3 A at 30 V DC (resistance load)
  - UT32A: Two 1a-contact points, 3 A at 240 V AC or 3 A at 30 V DC (resistance load)
- \*: This cannot be used for a small load of 10 mA or less.

**Retransmission Output Specifications**

- Number of points: 1 point (standard), which is shared with 15 V DC loop power supply
  - Additional 1 points when analog control output are not used
- Output function: current output
  - 4 to 20 mA DC or 0 to 20 mA DC/load resistance 600  $\Omega$  or less
- Current output accuracy:  $\pm 0.1\%$  of span (however,  $\pm 5\%$  of span for 1 mA or less)
  - The accuracy is that in the basic operating conditions:  $23 \pm 2^\circ\text{C}$ ,  $55 \pm 10\%\text{RH}$ , and power frequency at 50/60 Hz

**15V DC Loop Power Supply Specifications**

- Number of points: 1 point (standard), which is shared with retransmission output
  - Control output (1 point) can also be used.
- Supply voltage: 14.5 to 18.0 V DC
- Maximum supply current: about 21 mA (with short-circuit current limiting circuit)

**Contact Input Specifications**

- Number of points: 2 points (standard)
  - For the maximum number of points, see the model and suffix code table.
- Input type: no-voltage contact input or transistor contact input
- Input contact capacity: 12 V DC, 10 mA or more
  - Be sure to use a contact with a minimum ON current of 1 mA or more
- ON/OFF detection
  - For no-voltage contact input:
    - Contact resistance 1 k $\Omega$  or less in ON state
    - Contact resistance 50 k $\Omega$  or more in OFF state
  - Transistor contact input:
    - 2 V or less in ON state
    - Leak current 100  $\mu\text{A}$  or less in OFF state
- Status detection minimum hold time: control period + 50 ms
- Application: SP switching, operation mode switching, event input

**Transistor Contact Output Specifications**

- Number of points: see the model and suffix code table
- Output form: open collector (sink current)
- Output contact capacity: Up to 24 V DC, 50 mA
- Output time resolution: min 200 ms

**Heater Break Alarm Specifications (for /HA Option)**

- Function: Measures the heater current using an external current transformer (CT) and generates a heater break alarm when the measured value is less than the disconnection detection value.
- Number of input points: 2 points
- Number of output points: 2 points (transistor contract output)
- CT input resistance: about 9.4 Ω
- CT input range: 0.0 to 0.1 Arms (0.12 Arms or more cannot be applied)
- Heater current alarm setting range: OFF, 0.1 to 300.0 Arms  
Heater current measured value display range: 0.0 to 360.0 Arms  
\*: The CT ratio can be set. CT ratio setting range: 1 to 3300
- Recommended CT: CT from URD Co. Ltd.  
CTL-6-S-H: CT ratio 800, measurable current range: 0.1 to 80.0 Arms  
CTL-12L-30: CT ratio 3000, measurable current range: 0.1 to 180.0 Arms
- Heater current measurement period: 200 ms
- Heater current measurement accuracy: ±5% of CT input range span ±1 digit (CT error is not included)
- Heater current detection resolution: Within 1/250 of CT input range span
- Disconnection detection ON time: Minimum 200 ms. (for time proportional output)

**24 V DC Loop Power Supply Specifications (for /LP Option)**

- Application: Power is supplied to the 2-wire transmitter.
- Supply voltage: 21.6 to 28.0 V DC
- Rated current: 4 to 20 mA DC
- Maximum supply current: About 30 mA (with short-circuit current limiting circuit)

**Safety and EMC Standards**

- Safety:
  - Compliant with IEC/EN61010-1 (CE), approved by CAN/CSA C22.2 No. 61010-1 (CSA), approved by UL61010-1.
  - Installation category: CAT. II
  - Pollution degree: 2
  - Measurement category: I (CAT. I)
  - Rated measurement input voltage: Max. 10 V DC
  - Rated transient overvoltage: 1500 V (\*)
  - \*: This is a reference safety standard value for measurement category I of IEC/EN/CSA/UL61010-1. This value is not necessarily a guarantee of instrument performance.
- EMC standards:
  - Compliant with CE marking
  - EN 61326-1 Class A, Table 2 (For use in industrial locations),
  - EN 61326-2-3
  - EN 55011 Class A, Group 1
  - EN 61000-3-2 Class A
  - EN 61000-3-3
  - C-tick mark
  - EN 55011 Class A, Group 1
  - The instrument continues to operate at a measurement accuracy of within ±20% of the range during testing.
- RoHS regulation: Compliant

**Power Supply Specifications and Isolation**

- Power supply  
Rated voltage: 100 to 240 V AC (+10%/-15%), 50/60 Hz  
24 V AC/DC (+10%/-15%) (When the /DC option is specified)
- Power consumption: UT35A: 18 VA (For the /DC option. DC: 9 VA, AC: 14 VA)  
UT32A: 15 VA (For the /DC option. DC: 7 VA, AC: 11 VA)
- Storage: Nonvolatile memory
- Allowable power interruption time: 20 ms (at 100 V AC)
- Withstanding voltage  
2300 V AC for 1 minute between primary and secondary terminals  
1500 V AC for 1 minute between primary terminals  
500 V AC for 1 minute between secondary terminals  
(Primary terminals = Power (\*) and relay output terminals, Secondary terminals = Analog I/O signal terminals, contact input terminals, communication terminals, and functional grounding terminals.)  
\*: Power terminals for 24 V AC/DC models are the secondary terminals.
- Insulation resistance  
Between power supply terminals and a grounding terminal: 20 MΩ or more at 500 V DC
- Isolation specifications

PV (universal) input terminal	Internal circuits	Power supply
Control and transmission (analog) output terminal (not isolated between the analog output terminals) Valve position (feedback) input terminal		
Control relay (c-contact or 2 a-contact) output terminal		
Alarm-1 relay (a-contact) output terminal		
Alarm-2 relay (a-contact) output terminal		
Alarm-3 relay (a-contact) output terminal		
Position proportional relay output terminal		
Contact input terminal (All) RS485 communication terminal (2 ports)		
24 V DC loop power supply terminal		
Contact output (transistor) terminal		
Ethernet/PROFIBUS-DP/CC-Link/DeviceNet communication terminal		
Current transformer input terminal		

The circuits divided by lines are insulated mutually.

**Environmental Conditions**

**Normal operating conditions**

- Ambient temperature: -10 to 50°C (-10 to 40°C for side-by-side mounting of controllers)  
For the CC-Link option, 0 to 50 °C (0 to 40 °C for side-by-side close mounting)
- Ambient humidity: 20 to 90% RH (no condensation)
- Magnetic field: 400 A/m or less
- Continuous vibration (at 5 to 9 Hz) Half amplitude of 1.5 mm or less  
(at 9 to 150 Hz) 4.9 m/s<sup>2</sup> or less, 1 oct/min for 90 minutes each in the three axis directions
- Rapid vibration: 14.7 m/s<sup>2</sup>, 15 s or less
- Impact: 98 m/s<sup>2</sup> or less, 11 msec.
- Installation altitude: 2,000 m or less above sea level
- Warm-up time: 30 minutes or more after the power is turned on
- Start-up time within 10 s

### Transportation and Storage Conditions

- Temperature: -25 to 70°C
- Temperature change rate: 20°C per hour or less
- Humidity: 5 to 95%RH (no condensation)

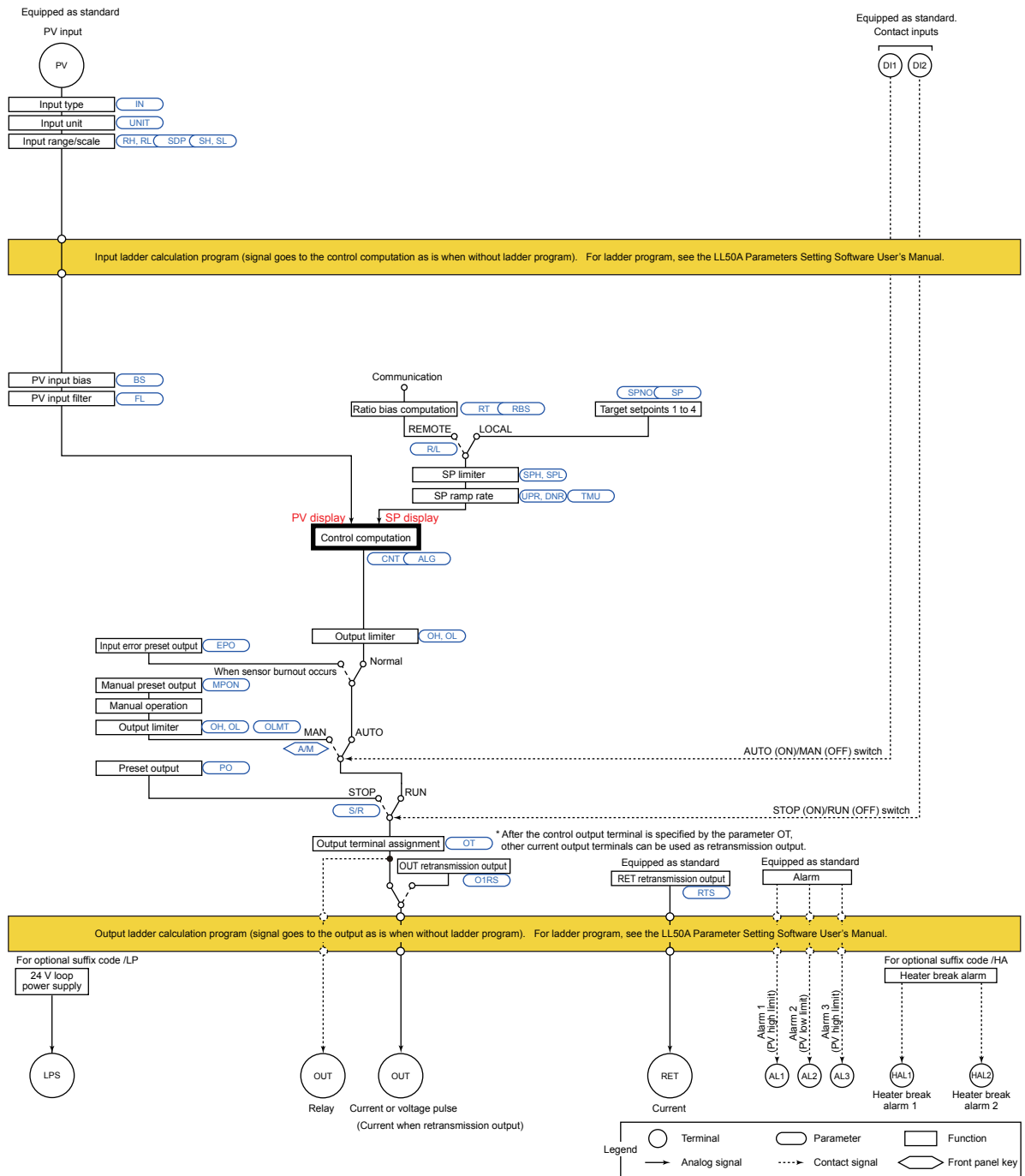
### Effects of Operating Conditions

- Effect of ambient temperature  
For voltage or TC input:  
±1 μV/°C or ±0.01% of F.S. (instrument range)/°C, whichever is greater

- For RTD input:  
±0.05°C/°C (ambient temperature) or less
- For current input:  
±0.01% of F.S. (instrument range)/°C
- For analog output:  
±0.02% of F.S./°C or less
- Effect of power supply fluctuation:  
For analog input: ±0.05% of F.S. (instrument range) or less  
For analog output: ±0.05% of F.S. or less  
(Each within rated voltage range)

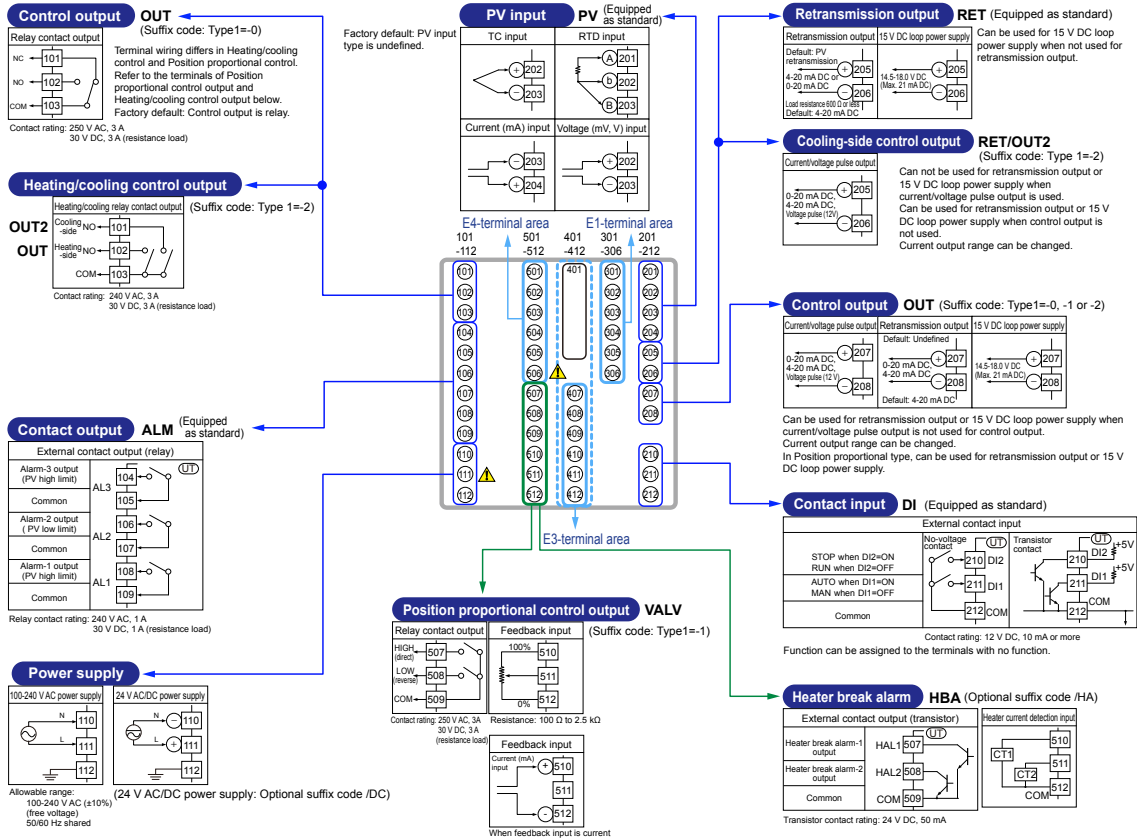
## Block Diagram

### Single Loop Control

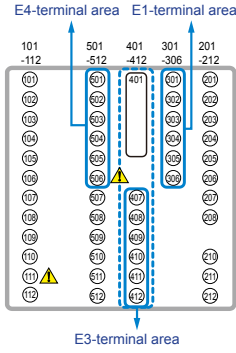


## Terminal Arrangement

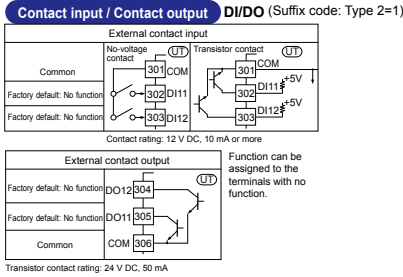
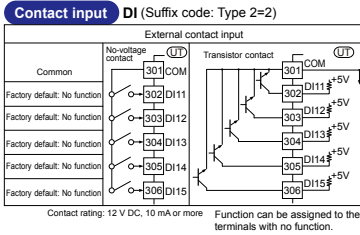
### Terminal Arrangement for UT35A Single Loop Control



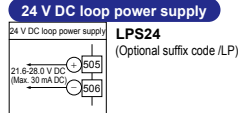
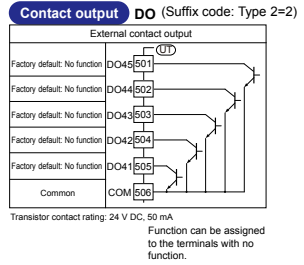




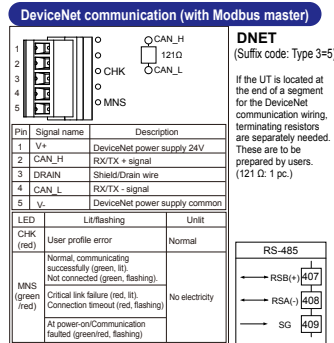
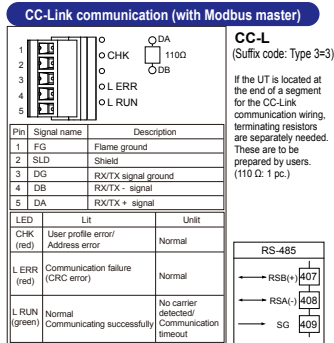
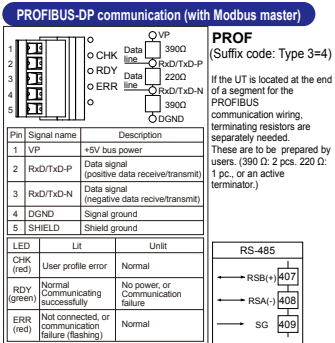
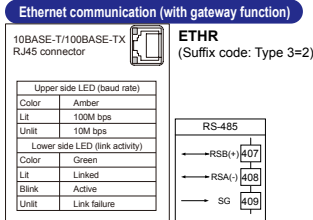
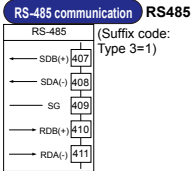
301-306 E1-Terminal Area



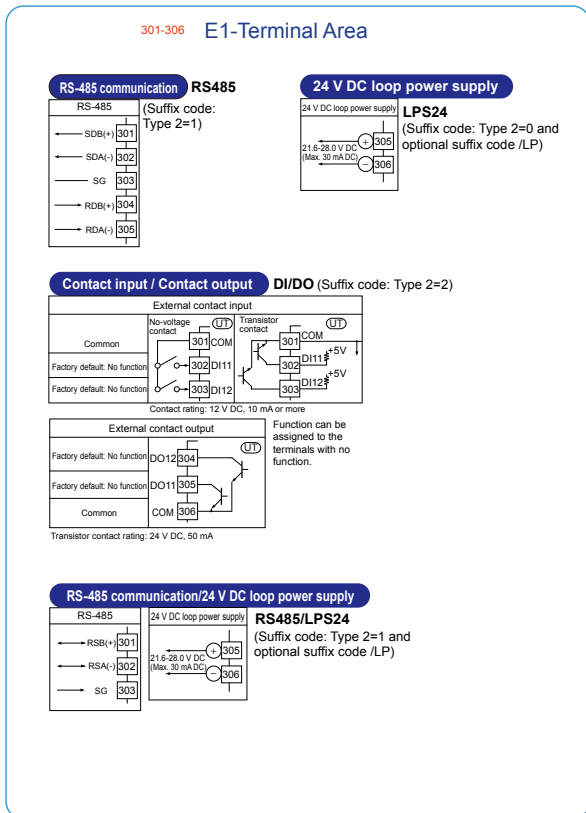
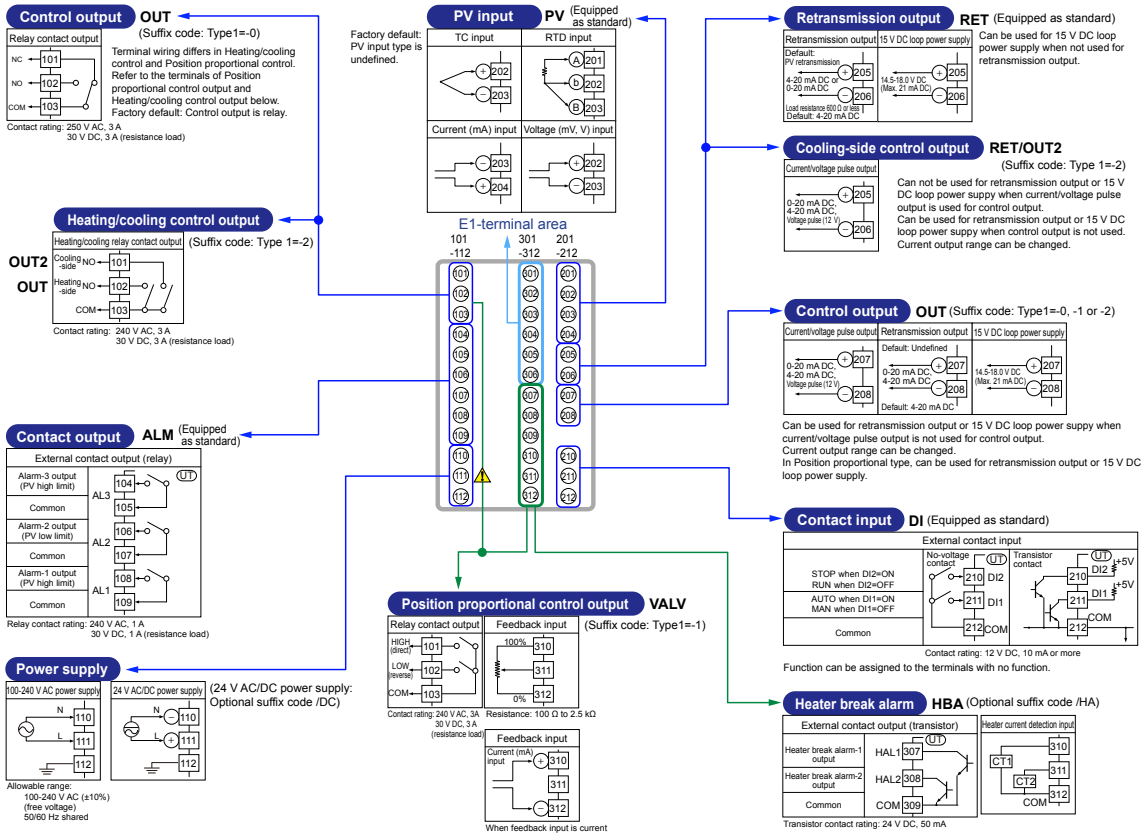
501-506 E4-Terminal Area



401-412 E3-Terminal Area



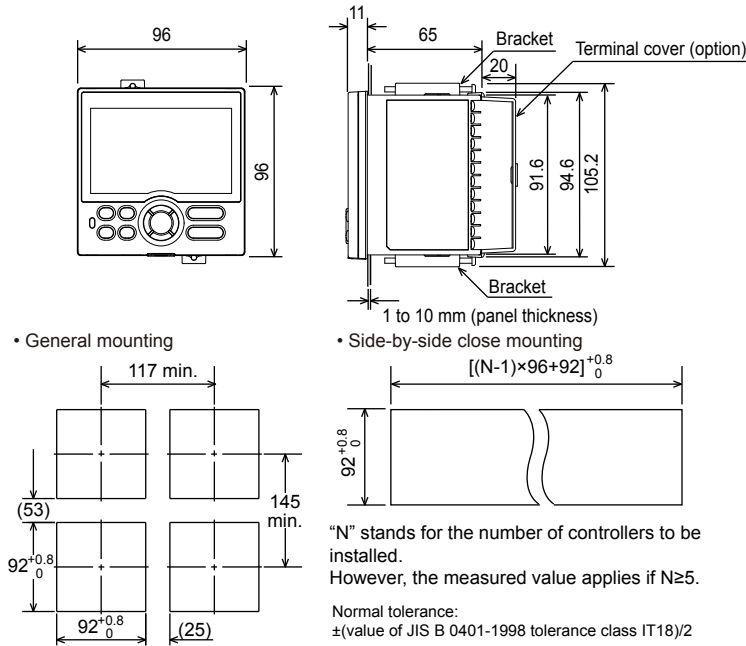
### Terminal Arrangement for UT32A Single Loop Control



## External Dimensions and Panel Cutout Dimensions

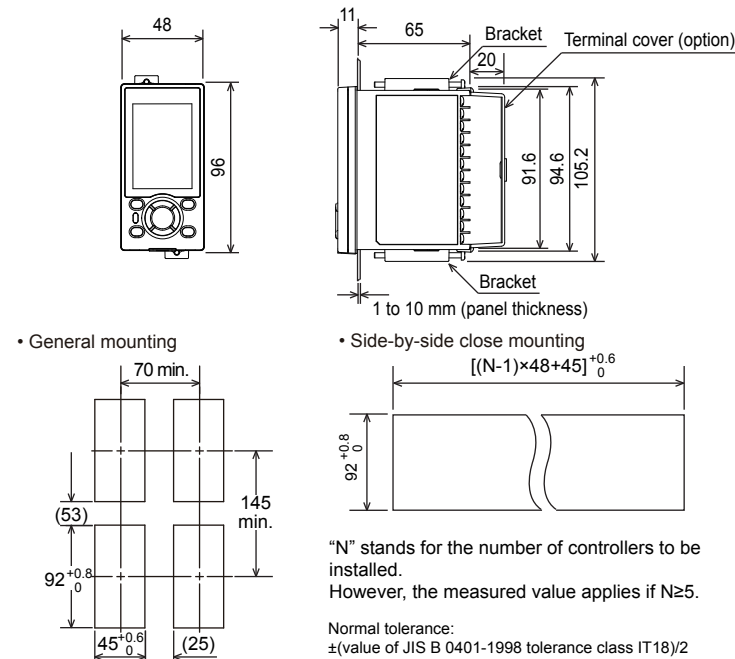
### UT35A

Unit: mm



### UT32A

Unit: mm



## Construction, Mounting, and Wiring

- Dust-proof and drip-proof: IP56 (Front panel) (Except for side-by-side close mounting)/NEMA4 \*
- \*: Hose down test only
- Material: Polycarbonate resin (Flame retardancy: UL94 V-0)
- Case color: Light gray
- Weight: 0.5 kg or less
- External dimensions (mm):  
UT35A: 96 (width) x 96 (height) x 65 (depth from the panel surface)

UT32A: 48 (width) x 96 (height) x 65 (depth from the panel surface)

- Mounting: Direct panel mounting; mounting bracket, one each for upper and lower mounting
- Panel cutout dimensions (mm):  
UT35A:  $92^{+0.8/0}$  (width) x  $92^{+0.8/0}$  (height)  
UT32A:  $45^{+0.6/0}$  (width) x  $92^{+0.8/0}$  (height)
- Mounting position: Up to 30 degrees above the horizontal. No downward tilting allowed.
- Wiring: M3 screw terminal with square washer (signal wiring and power)

## ■ Model and Suffix Code

Model	Suffix code	Optional suffix code	Description
UT35A			Digital Indicating Controller (provided with retransmission output or 15 V DC loop power supply, 2 DIs, and 3 DOs) (Power supply: 100-240 V AC)
Type 1: Basic control	-0		Standard type
	-1		Position proportional type
	-2		Heating/cooling type
Type 2: Functions	0		None
	1		2 additional DIs, 2 additional DOs
	2		5 additional DIs, 5 additional DOs
Type 3: Open networks	0		None
	1		RS-485 communication (Max.38.4 kbps, 2-wire/4-wire)
	2		Ethernet communication (with serial gateway function)
	3		CC-Link communication (with Modbus master function)
	4		PROFIBUS-DP communication (with Modbus master function)
	5		DeviceNet communication (with Modbus master function)
Display language (*1)	-1		English
	-2		German
	-3		French
	-4		Spanish
Case color	0		White (Light gray)
	1		Black (Light charcoal gray)
Fixed code		-00	Always "-00"
Optional suffix codes		/LP	24 V DC loop power supply (*2)
		/HA	Heater break alarm (*3)
		/DC	Power supply 24 V AC/DC
		/CT	Coating (*4)

- \*1: English, German, French, and Spanish can be displayed as the guide display.
- \*2: The /LP option can be specified in the combination of Type 2 code (any of "0" or "1") and Type 3 code (any of "0" or "1").
- \*3: The /HA option can be specified when the Type 1 code is "-0" or "-2."
- \*4: When the /CT option is specified, the UT35A does not conform to the safety standards (UL and CSA) and CE marking.

Model	Suffix code	Optional suffix code	Description
UT32A			Digital Indicating Controller (provided with retransmission output or 15 V DC loop power supply, 2 DIs, and 3 DOs) (Power supply: 100-240 V AC)
Type 1: Basic control	-0		Standard type
	-1		Position proportional type
	-2		Heating/cooling type
Type 2: Functions	0		None
	1		RS-485 communication (Max. 38.4 kbps, 2-wire/4-wire) (*2)
	2		2 additional DIs and 2 additional DOs
Type 3: Open networks	0		None
Display language (*1)	-1		English
	-2		German
	-3		French
	-4		Spanish
Case color	0		White (Light gray)
	1		Black (Light charcoal gray)
Fixed code		-00	Always "-00"
Optional suffix codes		/LP	24 V DC loop power supply (*2)
		/HA	Heater break alarm (*3)
		/DC	Power supply 24 V AC/DC
		/CT	Coating (*4)

- \*1: English, German, French, and Spanish can be displayed as the guide display.
- \*2: The /LP option can be specified in the combination of Type 1 code (any of "-0" or "-1") and Type 2 code (any of "0" or "1.") Additionally, when the Type 2 code is "1", the RS-485 communication is 2-wire system.
- \*3: The /HA option can be specified when the Type 1 code is "-0" or "-2."
- \*4: When the /CT option is specified, the UT32A does not conform to the safety standards (UL and CSA) and CE marking.

## ■ Items to be specified when ordering

Model and suffix codes, whether User's Manual and QIC required.

## ■ Special Order Items

Model code	Suffix code	Description
LL50A	-00	Parameter Setting Software

## ■ Standard accessories

Brackets (mounting hardware), Unit label, Operation Guide

## ■ Accessory

Name	Model	Description
Terminal cover	UTAP001	For UT35A
	UTAP002	For UT32A
User's Manual (CD-ROM)	UTAP003	