

DIN-A-MITE[®] Style D

Solid-State Power Controller

User's Manual



Please consult this user's manual when you place your new DIN-A-MITE in service. It contains all the necessary information to mount and wire it into the application. This manual also contains all pertinent specifications and semiconductor fusing recommendations. Please refer to national and local electrical code safety guidelines whenever you install electrical equipment.

This DIN-A-MITE product is capable of switching up to 100 amperes single-phase, at 600V~ (ac) at 30°C (86°F), depending on the model selected. It is electrically touch-safe and includes standard back-panel mounting, on-board semiconductor fuses, and a current transformer option for external load current monitoring. Shorted SCR alarm output option is also available.

The DIN-A-MITE Style D mounting footprint matches that of an industry-standard 100-amperes mercury displacement relay. This DIN-A-MITE is CE-approved, UL[®] 508-listed and C-UL[®].



1241 Bundy Boulevard, Winona, Minnesota USA 55987
Phone: +1 (507) 454-5300, Fax: +1 (507) 452-4507
<http://www.watlow.com>

Specifications

Operator Interface

- Command signal input and indication light
- Alarm output and indication light

Amperage

- Single-phase, 80A output maximum at 50°C (122°F) into a resistive load. See the Output Rating Curve chart on page 3.
- Maximum surge current for 16.6 milliseconds, 1,800-amp peak
- Maximum I^2t for fusing: 16,200 A²sec
- Latching current: 500mA minimum
- Holding current: 200mA minimum
- Off-state leakage: 1mA at 25°C (77°F) maximum
- 200KA SCCR type 1 and 2 approved with the recommended fusing (see page 3)

Line Voltage

- 24 to 48V~ (ac) units: 20 minimum to 53V~ (ac) maximum
- 120 to 240V~ (ac) units: 48 minimum to 265V~ (ac) maximum
- 277 to 480V~ (ac) units: 85 minimum to 528V~ (ac) maximum
- 277 to 600V~ (ac) units: 85 minimum to 660V~ (ac) maximum
- 50/60 Hz independent +/- 5%

Control Mode, Zero Cross

- Input Control Signal Type C: V= (dc) input contactor. To increase service life, the cycle time should be less than three seconds.
- Input Control Signal Type K: V~ (ac) input contactor. To increase service life, the cycle time should be less than three seconds.
- Input Control Signal Type F: 4 to 20mA= (dc) variable time base control

Input Command Signal

- **AC contactor**
24V~ ±10%, 120V~ +10% / -25%, 240V~ (ac) +10% / -25% @ 25mA maximum per controlled leg
- Do not use the DIN-A-MITE Vac-input models with a temperature controller that includes an RC snubber circuit across its output. Remove the RC snubber circuit before placing the DIN-A-MITE into service.
- **DC Contactor**
4.5V= to 32V= (dc): maximum current @ 4.5V= (dc) is 6mA per leg. Add 3mA if alarm option is included
- **Loop powered linear current**
4mA= to 20mA= (dc): loop-powered. Input Type F0 and F1 options only. (Requires current source with 6.2V= (dc) available. No more than three DIN-A-MITE inputs connected in series)

Linearity (Input Control Signal Type F)

- Full on point 19.5 to 19.9mA= (dc), maximum voltage of 6.2V peak.
- ±5% input to output power accuracy, 0% to 100% of span (4.3 to 19.7mA or 12.3 to 19.7mA).
- Temperature stability is less than 0.15%/°C change.

Alarm

Shorted SCR Alarm Option

- Alarm state when the input command signal off and a 15A or more load current is detected by the current transformer.


Alarm Output

- Energizes on alarm, non-latching
- Triac 24 to 240V~ (ac) external supply with a current rating of 300mA @ 25°C (77°F), 200mA @ 50°C (122°F), 100mA @ 80°C (176°F) and a holding current of 200 µA with a latching current of 5mA typical

Current Sensing

- On-board current transformer (CT), typically 0.2V~ (ac) output signal per ampere sensed

Agency Approvals

- CE with proper filter:
2004/108/EC Electromagnetic Compatibility Directive
EN 61326: Industrial Immunity Class A emissions
Not suitable for Class B emissions environment
2006/95/EC Low Voltage Directive
EN 50178 Safety Requirements
-  UL® 508-listed and C-UL® File E73741

Input Terminals

- Compression: Will accept 0.13 to 3.3 mm² (26 to 12 AWG) wire
- Torque to 0.5 Nm (4.4 in-lb) maximum with a 3.5 mm (1/8 in) blade screwdriver
- Wire strip length 7 mm (0.28 in)

Line and Load Terminals

- Compression: Will accept 13.3 to 34 mm² (6 to 2 AWG) wire
- Torque to 9.0 to 10.1 Nm (80 to 90 in-lb) maximum with a 3/16 inch Allen head
- Wire strip length 17.5 mm (0.69 in)

Operating Environment

- Operating temperature range: 0 to 85°C (32°F to 185°F)
- 0 to 90% RH (relative humidity), non-condensing
- Vibration: 2 g, 10 Hz to 150 Hz, applied in any one of three axes
- Storage temperature: -40 to 85°C (-40°F to 185°F)
- Insulation tested to 3,000 meters
- Installation Category III, pollution degree 2

Mounting

- Standard back panel mounting; fits the same mounting pattern as a 100 A, single-phase mercury displacement relay
- Mounting holes offer clearance for an M5 (No. 10) screw
- On-board semiconductor fusing, Bussmann part number 170N3437

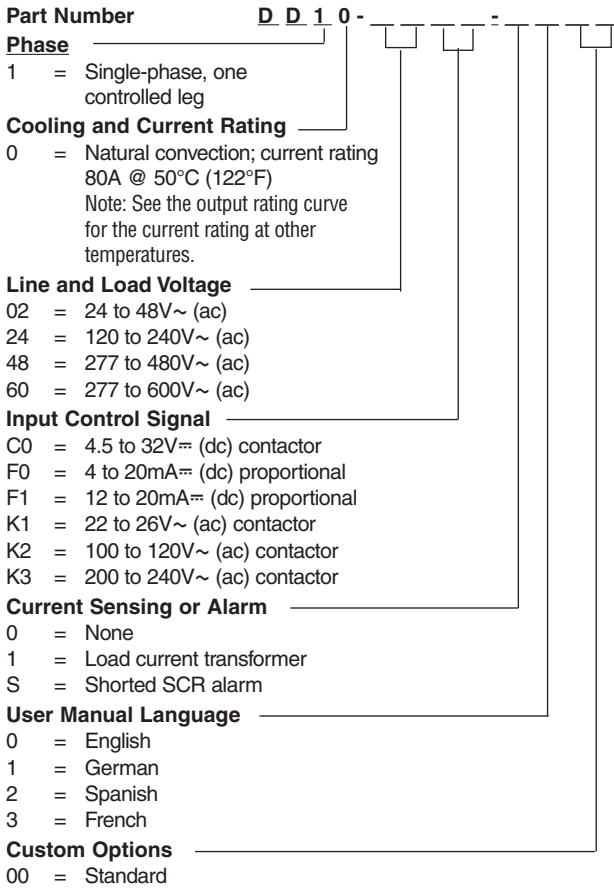
Dimensions

- Height: 185 mm (7.28 in)
- Width: 66 mm (2.58 in)
- Depth: 239 mm (9.41 in)
- Weight: 2.9 kg (6.3 lb)

Specifications are subject to change without notice.

Ordering Information

DIN-A-MITE Style D, solid-state power controller



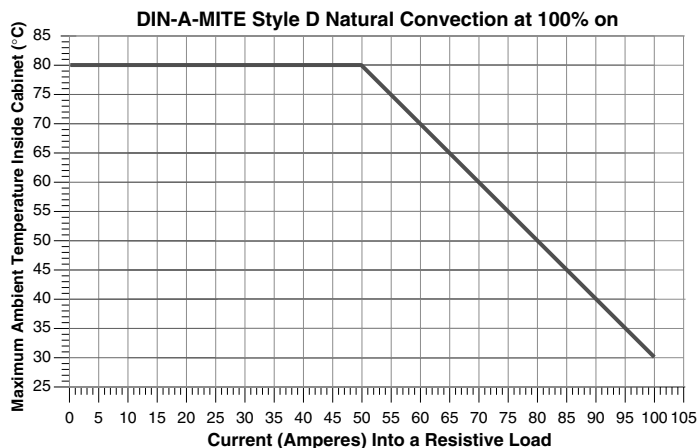
Note:

- Recommended fusing options to meet 200KA SCCR, type 1 and 2 approved. All other fuse combinations are defaulted to 5KA SCCR per UL508A and NEC guidelines.

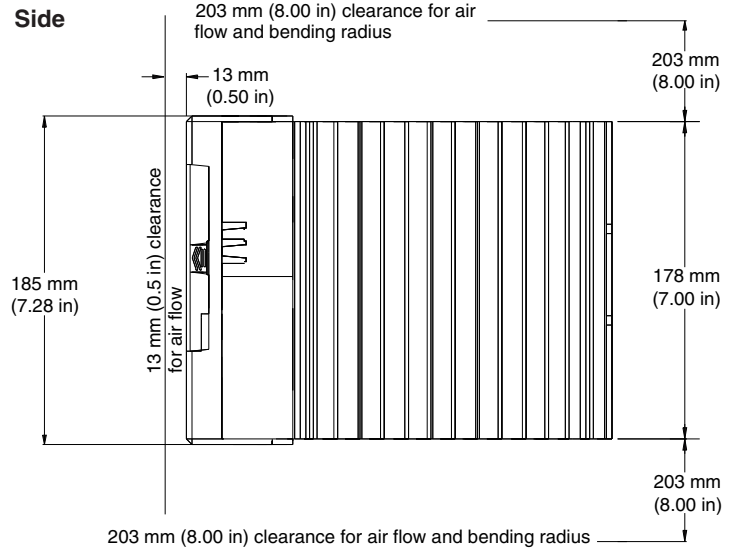
Watlow part number: 0808-0096-0000

Bussmann part number: 170N3437

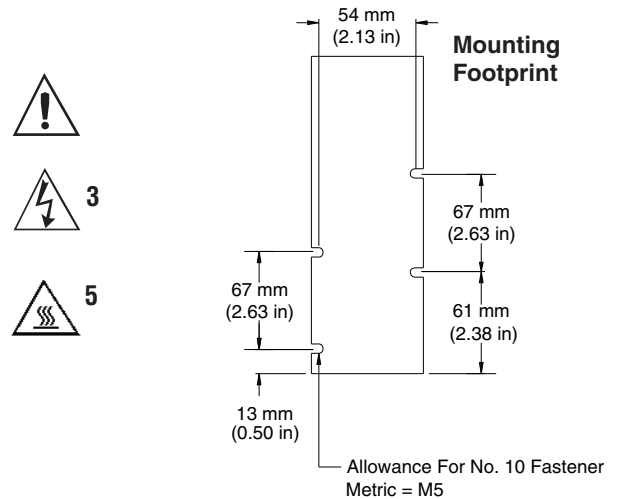
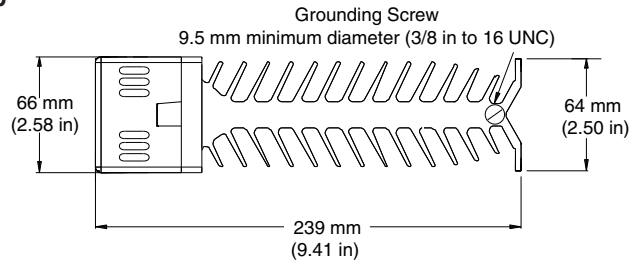
Output Rating Curve



Unit Dimensions



Top



WARNINGS:



3

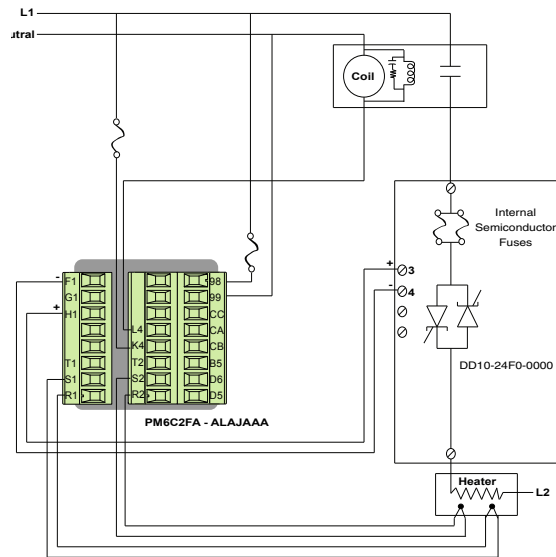
WARNING: Only authorized and qualified personnel should be allowed to install and perform preventive and corrective maintenance on this unit. Failure to do so could result in damage to equipment, and personal injury or death.



5

WARNING: Hot surface, do not touch the heat sink. Failure to follow this guideline could result in personal injury.

System Wiring Example



WARNINGS:



1 WARNING: Use National Electric (NEC) or other country-specific standard wiring practices to install and operate the DIN-A-MITE. Failure to do so may result in damage to equipment and property, and/or injury or loss of life.



2 WARNING: Wiring examples show L2 in phase-to-phase, 200V~ (ac) and above configuration. In phase-to-neutral, 100V~ (ac) and above applications, L2 is neutral and must not be fused or switched. Failure to follow this guideline could result in personal injury or death.



3 WARNING: Only authorized and qualified personnel should be allowed to install and perform preventive and corrective maintenance on this unit. Failure to do so could result in damage to equipment, and personal injury or death.

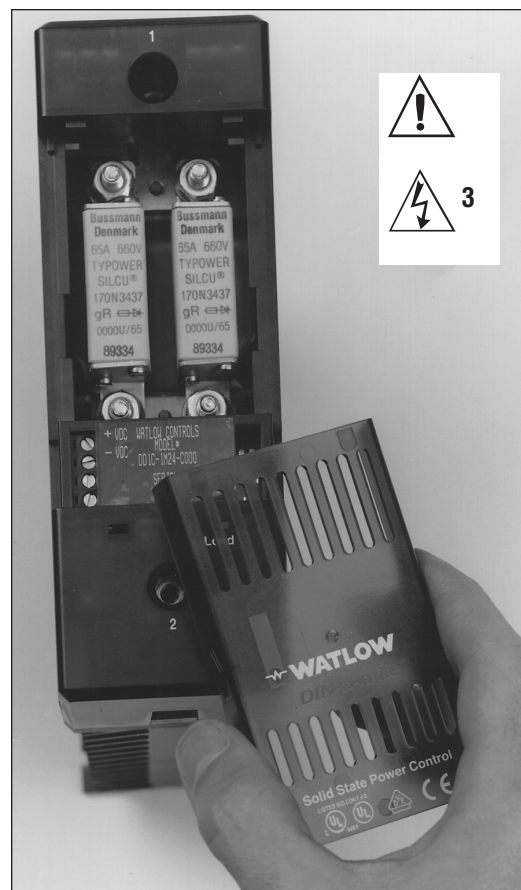


4 WARNING: Do not use the DIN-A-MITE Vac-input models with a temperature controller that includes an RC snubber circuit across its output. Remove the RC snubber circuit before placing the DIN-A-MITE into service.



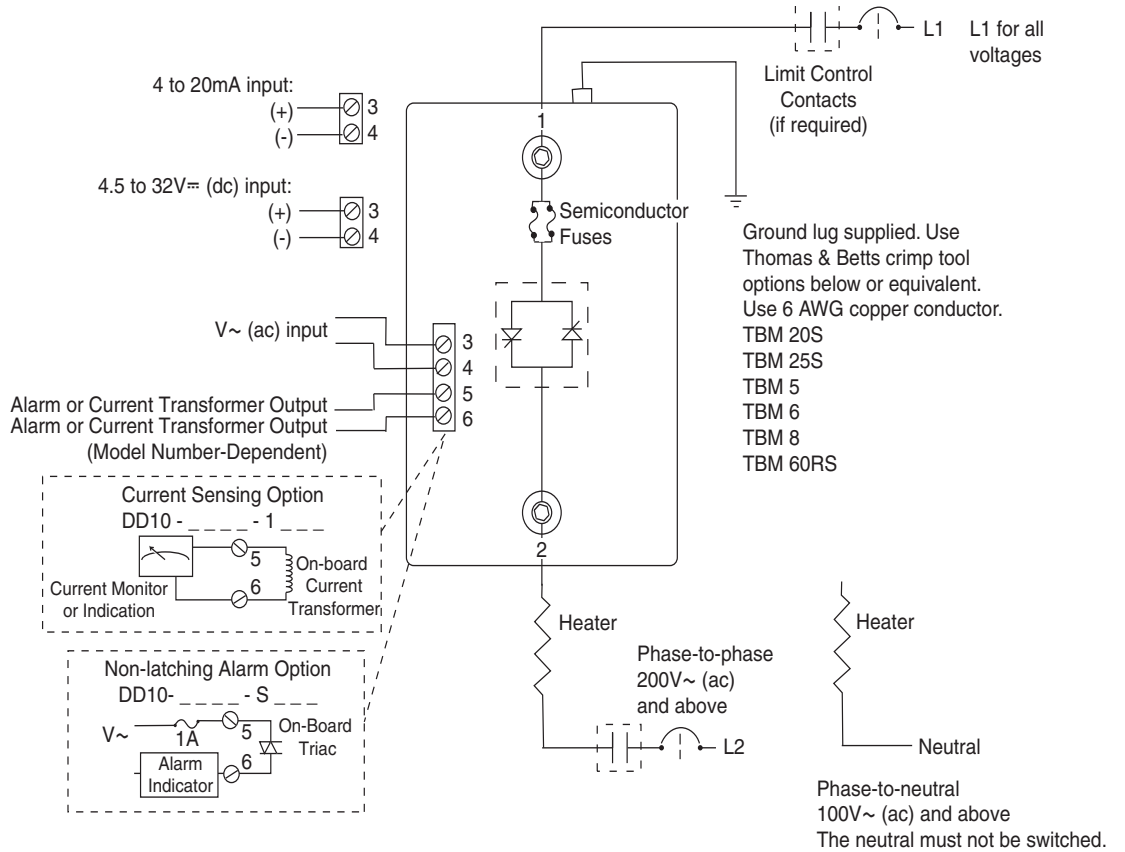
5 WARNING: Hot surface, do not touch the heat sink. Failure to follow this guideline could result in personal injury.

Fuse Replacement



After removing all power, use a 7/16-inch nut driver to remove fuse mounting nuts. Torque to 4.52 Nm (40 in-lb).

Single-Phase Output and Input Wiring



Shorted SCR Alarm

The Watlow DIN-A-MITE alarm option provides an alarm output for shorted SCR conditions. A shorted SCR alarm is detected when there is no command signal and a load current is detected. The alarm output is then energized. **This is a non-latching alarm.**

Torque Procedure

1. While connecting the line and load wires, ensure that all wire strands are inside the connector. **Do not allow loose wire strands to hang out of the connector.** Once you have installed the wire, torque these same connections to 9.0 to 10.1 Nm (80 to 90 in-lb). Use a dial or digital-type torque wrench and hold the torque at 9.0 to 10.1 Nm (80 to 90 in-lb) for 30 seconds. The 30-second hold allows the wire to settle, minimizing the wire cold flow.
2. Re-torque the same connections after 48 hours.
3. Develop a maintenance program to re-torque all load and line connections every three to six months.

NOTE: L1 and L2 terminals are 3/16-inch Allen head screws.

Declaration of Conformity

DIN-A-MITE® “D” Power Controller



WATLOW
1241 Bundy Blvd.
Winona, MN 55987 USA

an ISO 9001 approved facility since 1996.

Declares that the following product:

Designation: DIN-A-MITE® “D” Power Control
Model Numbers: DD10 – (02, 24, 48 or 60)(CX, K1, K2, K3, FX) – (0, 1, S)(followed by any 3 numbers or letters.) X = any number 0-9
Classification: Power Control, Installation Category III, Pollution degree II, IP00
Rated Voltage: 24 to 600 V~ (ac), 50/60 Hz

Meets the essential requirements of the following European Union Directives by using the relevant standards show below to indicate compliance.

2004/108/EC Electromagnetic Compatibility Directive

EN 61326-1: 2005 Electrical equipment for measurement, control and laboratory use – EMC requirements (Industrial Immunity, Class A^{1,2,4} Emissions) **Not for use in a Class B environment without additional filtering.**

EN 61000-4-2:1996 +A1,A2 Electrostatic Discharge Immunity
EN 61000-4-3:2006 Radiated Field Immunity 10V/m 80 MHz- 1GHz, 3V/m 1.4GHz-2.7GHz
EN 61000-4-4:1995 Electrical Fast-Transient / Burst Immunity
EN 61000-4-5:1995 +A1,A2 Surge Immunity
EN 61000-4-6:1996 +A1,A2,A3 Conducted Immunity
EN 61000-4-11:2004 Voltage Dips, Short Interruptions and Voltage Variations
EN 61000-3-2:2005 Harmonic Current Emissions
EN 61000-3-3:2005 Voltage Fluctuations and Flicker³ ≤ 16A
EN 61000-3-11:2001 Voltage Fluctuations and Flicker ≤ 75A with conditional connection

NOTES

¹Use of an external filter is required to comply with conducted emissions limits. See note 4 below.

²A Line Impedance Stabilization Network (LISN) was used for conducted emissions measurements.

³To comply with flicker requirements, command signal models FX will require a reduced source impedance. Cycle time on ON/OFF models CX and K1, K2, K3 may need to be up to 175 seconds at 16A or have a reduced source impedance.

⁴Required External EMI Filters for DIN-A-MITE with More Than 6 Amp Loads

2006/95/EC Low-Voltage Directive

EN 50178:1997 Electronic equipment for use in power installations.

Per 2002/96/EC W.E.E Directive  Please Recycle Properly.

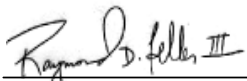
**These devices contain lead solder and are not RoHS compliant.
They are a Control Device and fall outside the scope of 2002/95/EC Directive.**

Raymond D. Feller III
Name of Authorized Representative

Winona, Minnesota, USA
Place of Issue

General Manager
Title of Authorized Representative

January 2009
Date of Issue



Signature of Authorized Representative

Required External EMI Filters For DIN-A-MITE With More Than 6 A Loads

An external EMI filter must be used in conjunction with the DIN-A-MITE for loads in excess of six amperes (6 A) at 150 to 250 kHz. Without a filter applied, the DIN-A-MITE does not comply with the conducted emissions standard for loads more than 6 A at 150 to 250 kHz.

Watlow has verified that two types of filters will suppress electromagnetic interference (EMI) created by the DIN-A-MITE power controller to within the CE requirements.

A tank filter supplied by Crydom or Watlow, installed across the power lines, suppresses EMI on the power lines. See Figures 1 and 2 below.

See Table 1 for the correct filter.

Description	Crydom Filter	Watlow Filter
Single-phase, 230V~ (ac)	1F25	14-0019
Three-phase, 440V~ (ac)	3F20	14-0020

Table 1 — DIN-A-MITE EMI filters.

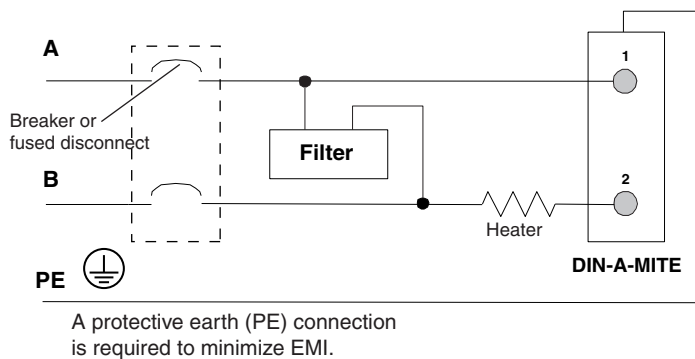


Figure 1 — Tank filter, single-phase, 230V~ (ac).

⚠ WARNING:

The tank filters specified may suppress desirable communications carried on power lines in the 150 to 250 kHz region. The filters may suppress carrier current such as that used for infant monitors and medical alert systems. Verify that suppressed carrier current or other desirable communications on power lines creates no hazard to people or property. Failure to observe this warning could result in damage to property, and injury or death for personnel.

⚡ WARNING:

All filter installation and wiring must be performed by qualified personnel, and conform to local and national electrical codes. Failure to observe this warning could result in damage to property, and injury or death for personnel.

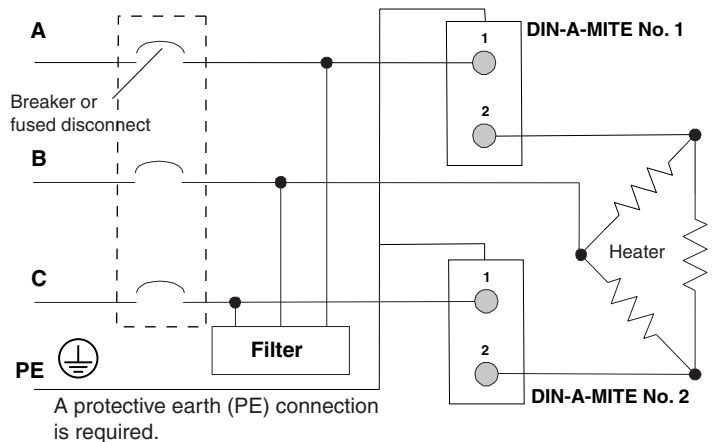


Figure 2 — Three-phase, 2-leg control using two (2) DIN-A-MITE D controllers. Contactor input models (C and K) only.

Returns

- Call or fax your distributor or the nearest Watlow sales office for best information about returns.
- To return directly to Watlow Winona in the U.S., first call or fax Customer Service for a Return Material Authorization (RMA) number telephone: +1 (507) 454-5300; fax: +1 (507) 452-4507).
- Put the RMA number on the shipping label, along with a written description of the problem.
- A restocking charge of 20% of the net price is charged for all standard units returned to stock.

Technical Assistance

If you encounter a problem with your Watlow controller, review your configuration information to verify that your selections are consistent with your application: inputs; outputs; alarms; limits; etc. If the problem persists after checking the configuration of the controller, you can get technical assistance from your local Watlow representative, or in the U.S., dial +1 (507) 454-5300. For technical support, ask for an Applications Engineer.

Please have the following information available when calling:

- Complete model number
- All configuration information
- User's Manual

The DIN-A-MITE Style D User's Manual is copyrighted by Watlow, Inc., © September 2004, with all rights reserved.

Warranty

The Watlow DIN-A-MITE is warranted to be free of defects in material and workmanship for 36 months after delivery to the first purchaser for use, providing that the units have not been misapplied. Since Watlow has no control over their use, and sometimes misuse, we cannot guarantee against failure. Watlow's obligations hereunder, at Watlow's option, are limited to replacement, repair or refund of purchase price, and parts which upon examination prove to be defective within the warranty period specified. This warranty does not apply to damage resulting from transportation, alteration, misuse, or abuse.

How to Reach Us

Corporate Headquarters

Watlow Electric Manufacturing Company
12001 Lackland Road
St. Louis, MO 63146
Sales: 1-800-WATLOW2
Manufacturing Support: 1-800-4WATLOW
Email: info@watlow.com
Website: www.watlow.com
From outside the USA and Canada:
Tel: +1 (314) 878-4600
Fax: +1 (314) 878-6814

Latin America

Watlow de México S.A. de C.V.
Av. Fundición No. 5
Col. Parques Industriales
Querétaro, Qro. CP-76130
Mexico
Tel: +52 442 217-6235
Fax: +52 442 217-6403

Europe

Watlow France
Tour d'Asnières.
4 Avenue Laurent Cély
92600 Asnières sur Seine
France
Tél: + 33 (0)1 41 32 79 70
Télécopie: + 33(0)1 47 33 36 57
Email: info@watlow.fr
Website: www.watlow.fr

Watlow GmbH
Postfach 11 65, Lauchwasenstr. 1
D-76709 Kronau
Germany
Tel: +49 (0) 7253 9400-0
Fax: +49 (0) 7253 9400-900
Email: info@watlow.de
Website: www.watlow.de

Watlow Italy S.r.l.
Viale Italia 52/54
20094 Corsico MI
Italy
Tel: +39 024588841
Fax: +39 0245869954
Email: italyinfo@watlow.com
Website: www.watlow.it

Watlow Ibérica, S.L.U.
C/Marte 12, Posterior, Local 9
E-28850 Torrejón de Ardoz
Madrid - Spain
T. +34 91 675 12 92
F. +34 91 648 73 80
Email: info@watlow.es
Website: www.watlow.es

Watlow UK Ltd.
Linby Industrial Estate
Linby, Nottingham, NG15 8AA
United Kingdom
Telephone: (0) 115 964 0777
Fax: (0) 115 964 0071
Email: info@watlow.co.uk
Website: www.watlow.co.uk
From outside The United Kingdom:
Tel: +44 115 964 0777
Fax: +44 115 964 0071

Asia and Pacific

Watlow Singapore Pte Ltd.
16 Ayer Rajah Crescent,
#06-03/04,
Singapore 139965
Tel: +65 6773 9488 Fax: +65 6778 0323
Email: info@watlow.com.sg Website: www.watlow.com.sg

Watlow Australia Pty., Ltd.
4/57 Sharps Road
Tullamarine, VIC 3043
Australia
Tel: +61 3 9335 6449
Fax: +61 3 9330 3566
Website: www.watlow.com

Watlow Electric Manufacturing (Shanghai) Company
1118 Fangyuan Road, Anting Industrial Park, Jiading, Shanghai,
PRC 201203
People's Republic of China
Tel: +86 21 39509510
Fax: +86 21 5080-0906
Email: info@watlow.cn
Website: www.watlow.cn

ワトロー・ジャパン株式会社
〒101-0047 東京都千代田区内神田1-14-4
四国ビル別館9階
Tel: 03-3518-6630 Fax: 03-3518-6632
Email: infoj@watlow.com Website: www.watlow.co.jp

Watlow Japan Ltd.
1-14-4 Uchikanda, Chiyoda-Ku
Tokyo 101-0047
Japan
Tel: +81-3-3518-6630 Fax: +81-3-3518-6632
Email: infoj@watlow.com Website: www.watlow.co.jp

Watlow Korea Co., Ltd.
#1406, E&C Dream Tower, 46, Yangpyeongdong-3ga
Yeongdeungpo-gu, Seoul 150-103
Republic of Korea
Tel: +82 (2) 2628-5770 Fax: +82 (2) 2628-5771
Website: www.watlow.co.kr

Watlow Malaysia Sdn Bhd
No. 14-3 Jalan 2/114
Kuchai Business Centre
Jalan Kuchai Lama
58200 Kuala Lumpur
Malaysia
Tel: +60 3 7980 7741 Fax: +60 3 7980 7739

瓦特龍電機股份有限公司
80143 高雄市前金區七賢二路189號 10樓之一
電話: 07-2885168 傳真: 07-2885568

Watlow Electric Taiwan Corporation
10F-1 No.189 Chi-Shen 2nd Road Kaohsiung 80143
Taiwan
Tel: +886-7-2885168 Fax: +886-7-2885568

Your Authorized Watlow Distributor