



THE SSC CONTROLS COMPANY

PREMIER INDUSTRIAL CONTROLS

Product Information Sheet

G-Series Heavy-Duty Foot Switches

The G-Series Heavy-Duty Foot Switches are high-performance industrial workhorses that provide a tremendous value. Designed for tough industrial and shop environments, the design features precise switching action, rugged cast-iron construction with a cast-aluminum cover, and user-friendly dimensions.

These switches make it easy to turn electrical equipment on and off with the foot, freeing the hands to perform other operations or providing ergonomic improvement to a workstation. Order a standard version below, or contact us with special requests. Options include a front gate, dual base, handle, and more.

Design features:

- Heavy-duty construction – ideal for tough industrial environments.
- 20 amp @ 125/250 VAC Honeywell® switches.
- Precise, adjustable switching action.
- Cast-iron base provides stability.
- 3/4"-14 N.P.T. threaded conduit entry.
- Powder-painted Safety Orange finish.
- Secure with mounting holes or optional 3M® bumper feet.
- Oversized guard opening.



Quality features:

- Designed and manufactured under a quality system certified to ISO 9001 requirements.
- Includes a 1-year warranty on parts and labor.
- Made in USA of imported and domestic components.



Dimensions, exterior (L x W x H): 9.2" x 6.2" x 5.5"


Weight: 7.4 pounds

Finish: powder paint, safety orange

Enclosure ratings: IP-56; UL Type 2, 4, & 13



Warning: To avoid personal injury, do not use foot switches on machinery lacking effective point-of-operation safeguards. Disconnect input power before installation or maintenance.

Model	Action	Switches	Stages	Contacts, per Switch	Rating	Price	Certifications
G500-MO	Momentary	1	1	SPDT	20 amp, 125/250 VAC	\$77.20	 (Certified to CSA and UL standards)
G500-MA	Maintained	1	1	SPDT	20 amp, 125/250 VAC	\$83.50	
G500-AT	Anti-Trip	1	1	SPDT	20 amp, 125/250 VAC	\$83.50	
G502-MO	Momentary	2	1	SPDT	20 amp, 125/250 VAC	\$87.90	
G502-MA	Maintained	2	1	SPDT	20 amp, 125/250 VAC	\$92.80	
G502-AT	Anti-Trip	2	1	SPDT	20 amp, 125/250 VAC	\$92.80	
G502-MO-2S	Momentary	2	2	SPDT	20 amp, 125/250 VAC	\$94.90	
G502-AT-2S	Anti-Trip	2	2	SPDT	20 amp, 125/250 VAC	\$97.40	

The SSC Controls Company
 8658 Tyler Boulevard Mentor, Ohio 44060
 Phone: 440 205-1600 Fax: 440 205-1700



THE SSC CONTROLS COMPANY

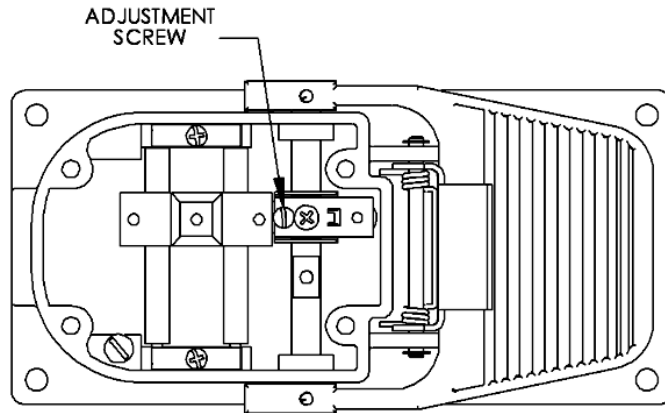
G-SERIES INSTALLATION/ ADJUSTMENT/ MAINTENANCE

G-Series Switch Adjustment

Danger: Disconnect input power before performing any installation or maintenance.

The G-Series foot switches have an adjustable switch activation point. For models with two switches, both switches can be independently adjusted.

To increase travel before switch is activated, turn the Adjustment Screw clockwise. To decrease travel before switch is activated, turn the Adjustment Screw counter-clockwise.




G-Series Installation Instructions

The G-Series foot switches are to be installed using Type 2, 4, and 13 cord grips and UL Listed hard-service or junior hard-service flexible cord suitable for resisting oil and water. Only a qualified electrician should install this foot switch.

Periodic Maintenance

Periodic lubrication of exterior moving parts is recommended, including the main shaft (only at the two entry points on the outside of the unit), springs, and the Maintained or Anti-Trip latches ("-MA" and "-AT" models only). Use a light oil or grease. Do not over-lubricate.

Installation and Maintenance Warning

 DANGER / PELIGRO / DANGER		
HAZARDOUS VOLTAGE Disconnect power before performing any work on this device. Failure to follow this instruction can result in death or serious injury.	TENSION PELIGROSA Desenergice el equipo antes de realizar cualquier trabajo en él. El incumplimiento de esta precaución podrá causar la muerte o esiones serias.	TENSION DANGEREUSE Coupez toute alimentation avant travailler sur cet appareil. Si cette précaution n'est pas respectée, cela entraînera la mort des blessures graves.

Notice: This notice should be stored at the point of use of the foot switch and reviewed by each user. If you have any questions, if any of the above is unclear, or if you would like to request additional copies of this document, please contact The SSC Controls Company.

The SSC Controls Company
 8658 Tyler Boulevard Mentor, Ohio 44060
 Phone: 440 205-1600 Fax: 440 205-1700