

MT5C/8C Ø56mm / Ø85mm Steady & Flashing with Buzzer

TOWER LIGHTS



Incandescent or **LED**

- Optional LED bulbs available
- Selectable Steady or Flashing Modes
- Prism-cut lenses for even light distribution
- Surface, Pole or Wall Mounted (Order poles & bases separately)
- Wire leads or Terminal connection
- Add-on Buzzer (80 dB) kit available
- NEMA 12, 3R / IP56 rated



Order Information

MT 5 C 5 A L - RYGBC
 ① ② ③ ④ ⑤ ⑥

① Lens Diameter	5	Ø56mm
	8	Ø85mm
② Light Style	C	Steady & Flashing
③ Number of Stacks	1	1 Light
	2	2 Lights
	3	3 Lights
	4	4 Lights
	5	5 Lights
④ Power Supply	A	DC/AC 24V
	B	AC 110~120V
	C	AC 220~240V
⑤ Connection	L	Lead Wires
	T	Screw Terminals
⑥ Lens Colors (top to bottom)	R	Red
	Y	Yellow
	G	Green
	B	Blue
	C	Clear

Optional Orders

Buzzer Kits

MPZ - **56** **A**

Power Supply	
A	DC/AC 24V, 80dB (30mA)
B	AC 110~120V, 80dB (30mA)
C	AC 220~240V, 80dB (30mA)
Buzzer Size (Diameter)	
56	Ø56mm (for MT5C Series)
85	Ø85mm (for MT8C Series)

Replacement Parts

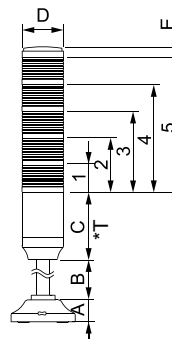
LED		LED-T15-D-24-(□)	DC 24V
		LED-T15-D-110-(□)	AC 110~120V
		LED-T15-D-220-(□)	AC 220~240V
BULB		MAB-T15-D-024-10	DC/AC 24V, 10W
		MAB-T15-D-120-10	AC 110~120V, 10W
		MAB-T15-D-240-10	AC 220~240V, 10W
Lens	-	MAL-5(□)	Ø56mm
		MAL-8(□)	Ø85mm

(□): indicates color of LED or Lens; R, Y, G, B or C

Specifications

Power Supply		24V AC/DC	110~120V AC	220~240V AC	
Current Draw	Bulb	1 Stack	54 mA	28 mA	25 mA
		2 Stack	109 mA	62 mA	57 mA
		3 Stack	169 mA	102 mA	91 mA
		4 Stack	223 mA	136 mA	124 mA
		5 Stack	275 mA	169 mA	155 mA
	LED	Per Stack	180 mA	35 mA	28 mA
Buzzer		30 mA			
LED Life-Span		10,000 hours (minimum)			
Sound Level		80 dB			
Flashing rate		80 times/minute			
Rating		NEMA 12, 3R / IP 56			
Approvals		UL, cUL, CE			

Dimensions



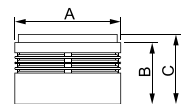
Symbol	Model	
	MT5C	MT8C
A	29	29
B	185	185
C	95	108
*T	173	188
D	56	85
E	15	15
1	68	68
2	136	136
3	204	204
4	272	272
5	340	340

*T: Terminal board style

unit: mm

Buzzer Kit

MPZ-56
MPZ-85



Symbol	MPZ-56	MPZ-85
A	56	86
B	48	50
C	54	56

See Page 13-14
for Mounting Options and Accessories

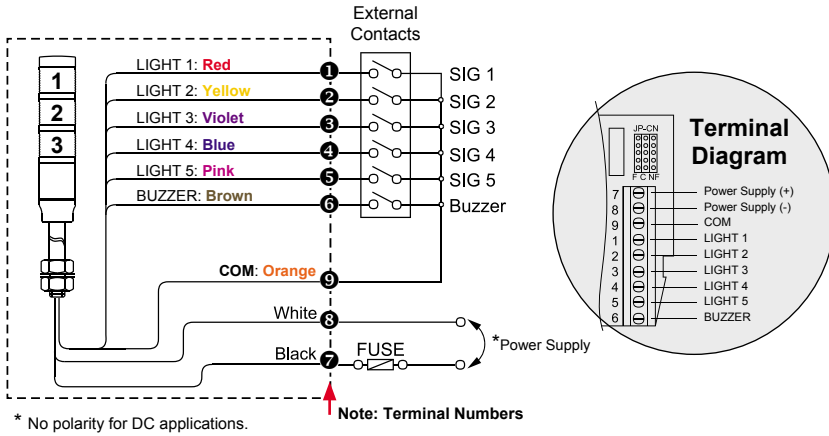
MT5C/8C & MT4B/5B/8B Wiring Diagram

MT5C/8C

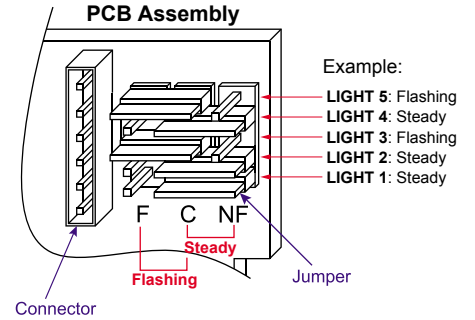
DC/AC 24V

Steady or Flashing (with Buzzer)

MT5C□AL-□□□□ MT8C□AL-□□□□
 MT5C□AT-□□□□ MT8C□AT-□□□□



Steady/Flashing Selection

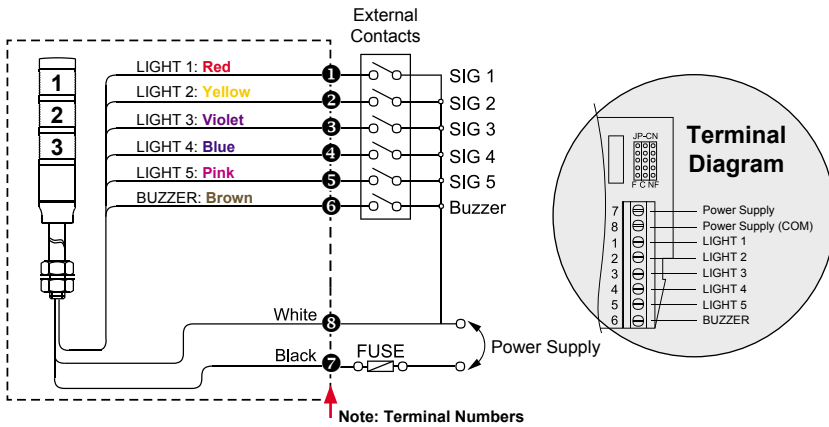


AC 110~120V

AC 220~240V

Steady or Flashing Lights (with Buzzer)

MT5C□BL-□□□□ MT8C□BL-□□□□
 MT5C□BT-□□□□ MT8C□BT-□□□□
 MT5C□CL-□□□□ MT8C□CL-□□□□
 MT5C□CT-□□□□ MT8C□CT-□□□□



MT4B/5B/8B

AC/DC 12V

AC 110~120V

AC/DC 24V

AC 220~240V

Steady Lights

