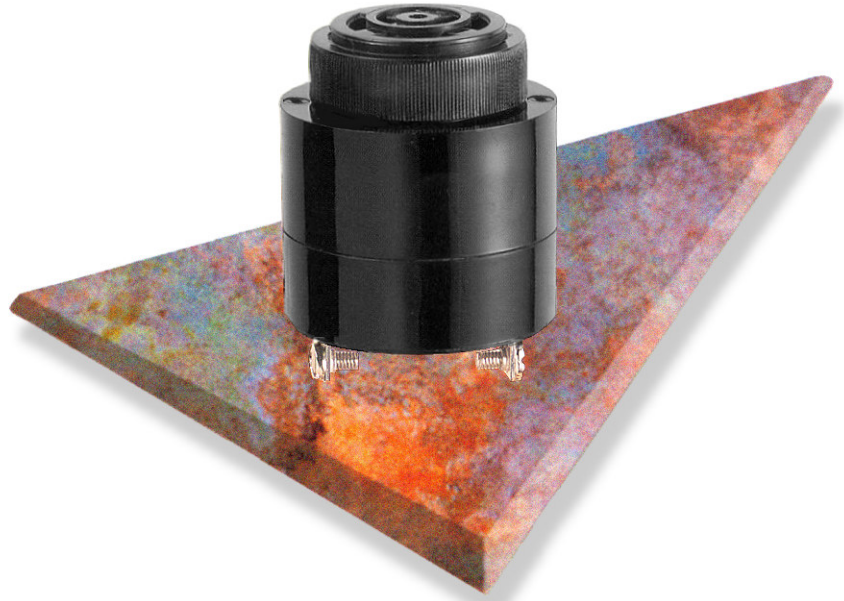


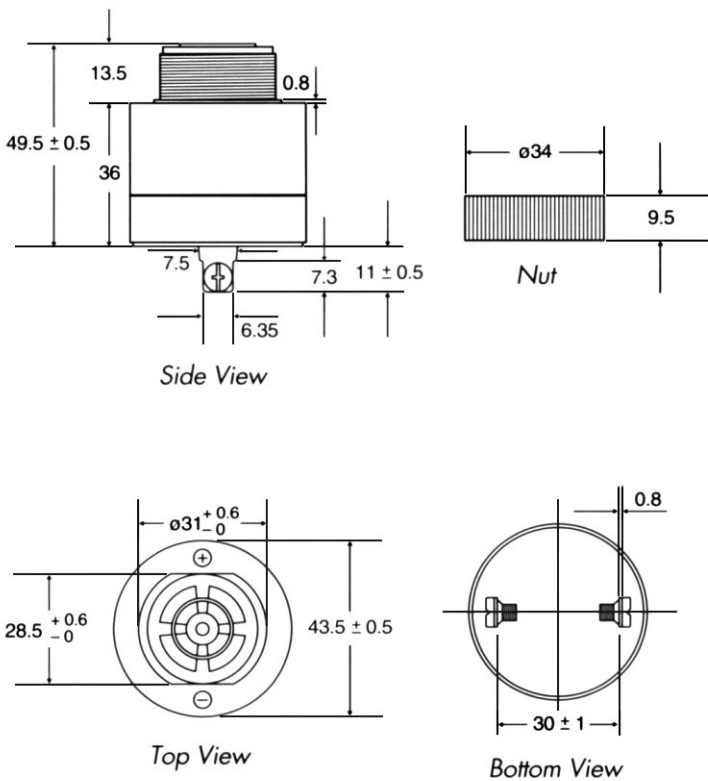
# KIB-128 Series (AC Type)

## PIEZO BUZZER

Material of Case: Nylon  
 Colour: Black  
 Operating Temperature:  $-20^{\circ}\text{C}$   $+80^{\circ}\text{C}$   
 Storage Temperature:  $-30^{\circ}\text{C}$   $+90^{\circ}\text{C}$



### DIMENSIONS (in mm)



### Electrical Specifications

Model No.	12S31100	12S32400	12PN31100	12PN32400
Operating Voltage (VAC)	30-120	60-250	30-120	60-250
Rated Voltage (VAC)	110	240	110	240
Max. Current at Rated Voltage (mA)	20	20	10	10
Frequency (KHz)	2.9 ± 0.5	2.9 ± 0.5	2.9 ± 0.5	2.9 ± 0.5
Min. Sound Pressure at Rated Voltage (dBA/30cm)	90	90	80	80
Tone	SINGLE	SINGLE	PULSE	PULSE
Pulse Rate at Rated Voltage (Pulse/Sec)	NIL	NIL	0.8-1.2	0.8-1.2
Terminal	PLATE	PLATE	PLATE	PLATE

### CHARACTERISTICS

