

LC Series Limit Control



The LC Series Limit Control is designed for any appliance where protection from over temperature is needed. All LC Series controls are non-adjustable, factory calibrated, and feature negative based power element diaphragms.

The LC Series is a proven safety control for commercial and specialty applications. The LC is available in automatic or manual reset versions, with temperature settings from 150°F to 600°F.

Design Features

- Calibrated temperature settings 150°F to 600°F in 5°F increments (65°C to 316°C)
- Bulb and capillary assemblies available in copper, nickel plated copper, or stainless steel
- Available in manual reset or cycling operation
- Control function is designed to interrupt power in the appliance circuit at the calibrated temperature
- Automatic actuation of the control switch, at or below the calibrated temperature, if the pressure integrity of the thermal element is compromised

Specifications

Model	Description	UL Rating ¹	CSA Rating ²	European ³
LCH	SPST - Break on Temperature Rise Manual Reset. Type M2*	30 A, 250 V AC @ 125-480 V AC 35 V A PD @ 24 V, 60 Hz	30 A @ 125-480 V AC	30 A @ 480 V AC
LCHM	SPST - Break on Temperature Rise Manual Reset. Type M2* Millivolt Application	400 mA @ 500 mV DC	125 V A PD @ 250 V AC	480 mA @ 500 mV DC
LCC	SPDT - Make and / or Break on Temperature Rise. Automatic Reset	25 A, 250 V A @ 125-480 V, 60 Hz 35 A @ 24 V AC	25 A, 250 V AC @ 125-480 V AC 35 V A PD @ 24 V, 60 Hz	25 A @ 480 V AC
LCCM	SPDT - Make and / or Break on Temperature Rise. Automatic Reset. Millivolt Application	125 V A PD @ 125-480 V, 60 Hz 400 mA @ 500 mV DC	25 A, 250 V A @ 125-480 V, 60 Hz 35 V A PD @ 24 V, 60 Hz	480 mA @ 500 mV DC

1 UL Rating (UL Guide / XAPX2) - File No. E12103

2 CSA Rating - CSA File No. LR36461

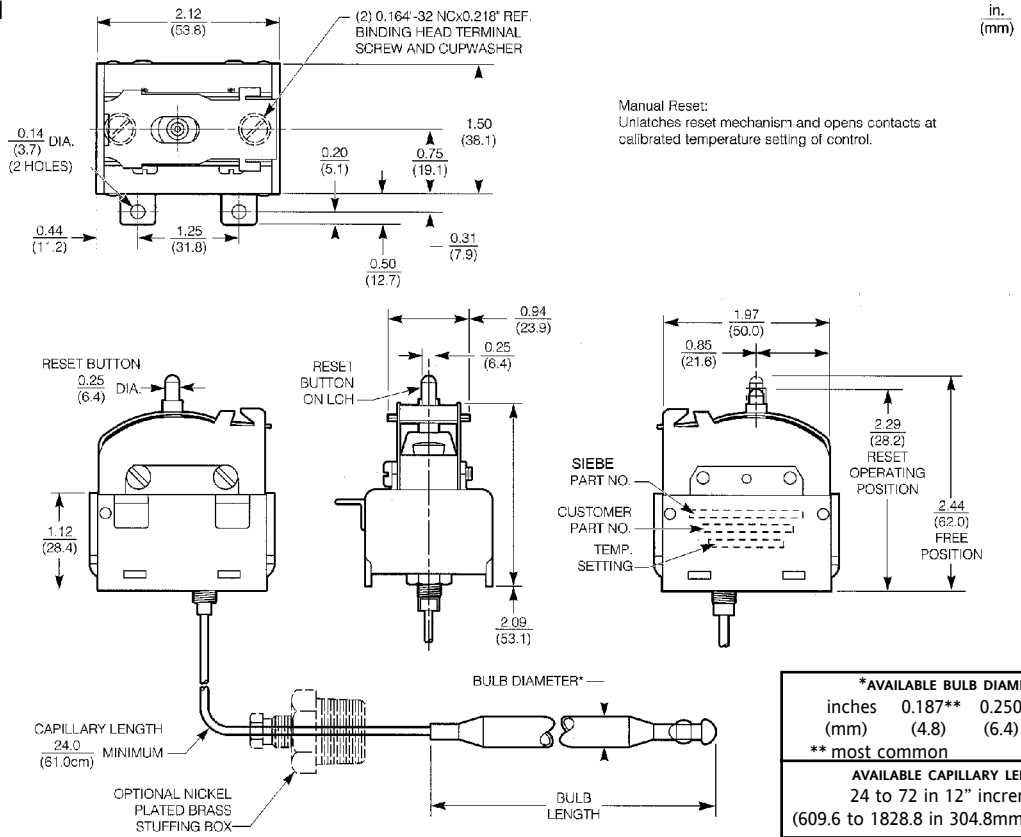
3 British Gas BG / EC - 87 / 96 / 170

For All Models:

185°F (85°C) Ambient Temperature Maximum

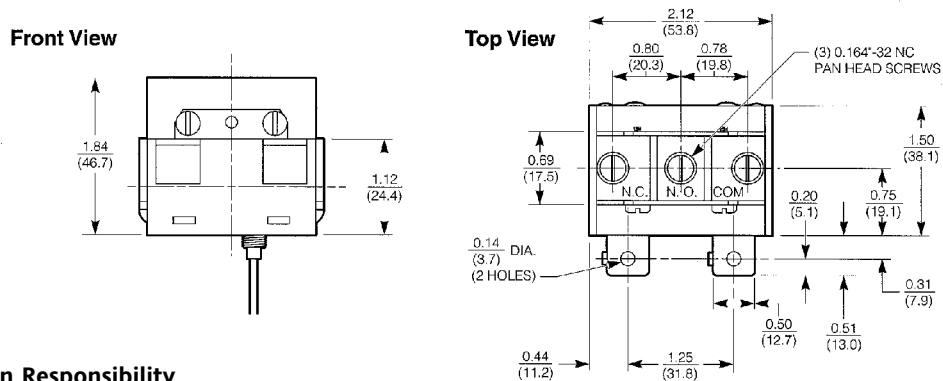
Maximum Continuous temperature on Bulb 600°F (316°C)

Models LCH & LCHM



Manual Reset:
Unlatches reset mechanism and opens contacts at calibrated temperature setting of control.

Models LCC & LCCM



Application Responsibility

Invensys Appliance Controls, as supplier, will comply with those agreed to drawing requirements and specifications that define this product. Suitability for any specific application is the responsibility of the purchaser.