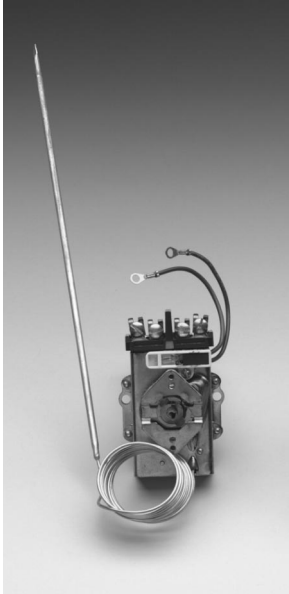




Appliance Controls

## Model D1/D18 Series Electric Thermostat



### Design Features

- Temperature ranges to 650°F (343°C)
- DPST with Positive OFF
- The mechanical snap action is instantaneous, positive and non-fatiguing. It reacts to exceedingly small movements of the diaphragms giving a very close temperature differential.
- The diaphragm assembly consists of two stainless steel diaphragms, electrically welded together. Both halves of the assembly are used to actuate the snap-action mechanism, giving maximum sensitivity without danger of overstressing the metal.
- Can be supplied with terminals mounted in four different positions.
- Bulb and capillary available in copper, nickel plated copper, nickel plated steel, or stainless steel.
- Plastic coating available to protect against moisture, dust, etc.

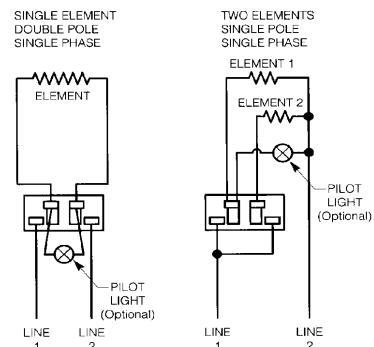
The model D1/D18 series is a heavy duty thermostat designed for use in harsh applications where precise temperature control is required. The control uses a DPST snap-action mechanism with a positive “OFF” switch.

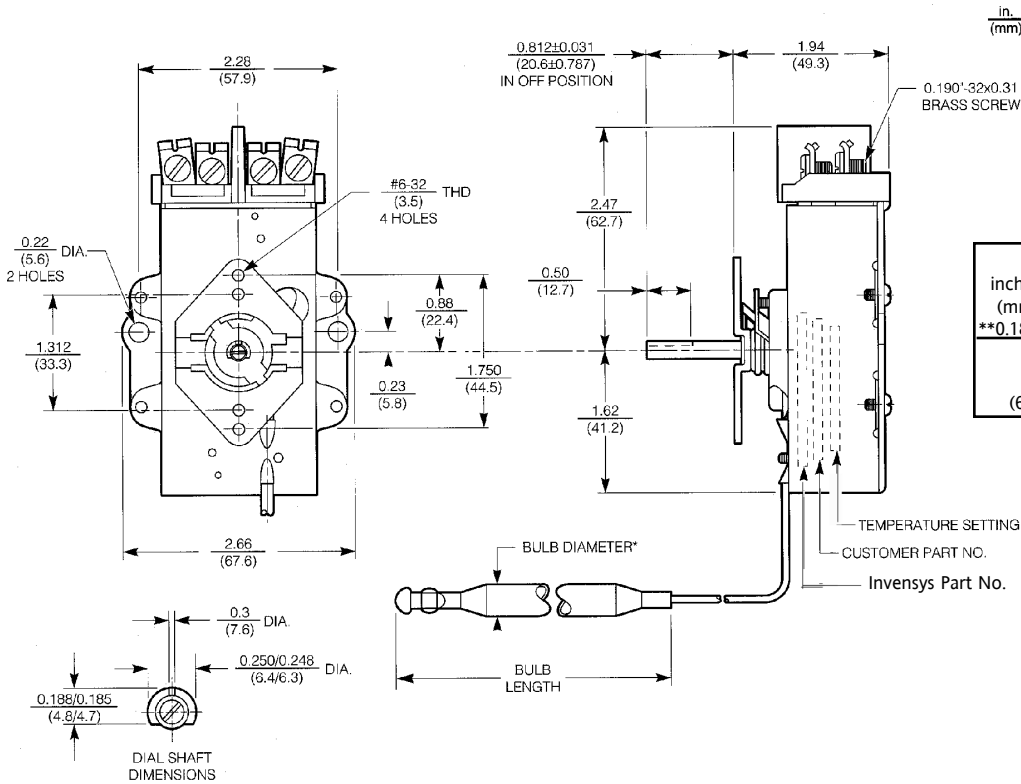
It is recommended for use on applications that require double pole operation and accurate temperature control.

### Specifications

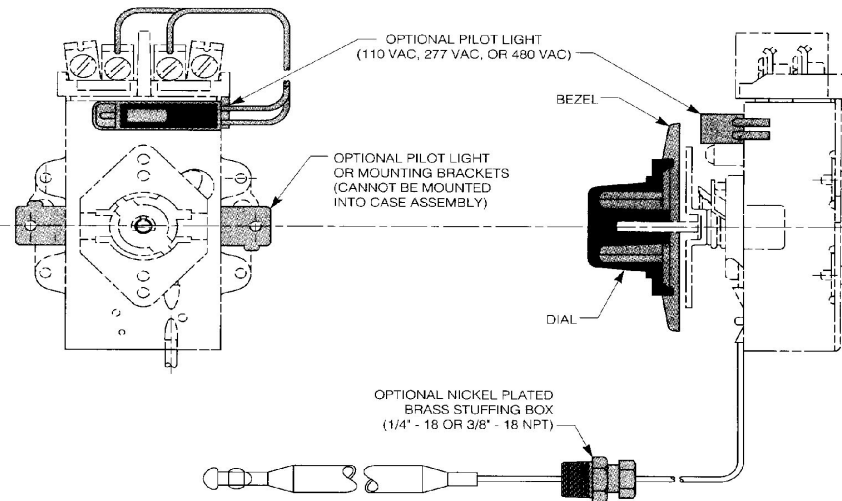
- Ambient temperature:  
0°F (-18°C) to 150°F (66°C)
- Double pole single throw contacts (DPST)
- Positive OFF - Contacts are mechanically open in OFF position
- 120, 277 VAC @ 30A  
277 VAC @ 250VA  
125 VAC @ 125VA  
480 VAC @ 10A
- Agency, Certification Numbers:  
UL Guide No. XAPX2  
UL File No. E12103  
CSA File No. LR36461  
CSA Class 4823 02

### Wiring Diagrams





<b>*AVAILABLE BULB DIAMETERS</b>				
inches	0.187**	0.250	0.312	0.375
(mm)	(4.8)	(6.4)	(7.9)	(9.5)
**0.187 inch diameter bulb is most common.				
<b>AVAILABLE CAPILLARY LENGTHS</b>				
24 to 120 in 12" increments				
(609.6 to 3048 in 304.8mm increments)				



#### Dial

- Other temperature ranges available.
- Available in black (most common), white, and red.

#### Bezel

- Available with and without pilot light.
- Not for use with case assembly.
- Chrome plated brass.

#### Protective Case Assembly

- Protective case, gray only.
- Aluminum cover with plated steel case.

#### Application Responsibility

Invensys Appliance Controls, as a supplier, will comply with those agreed to drawing requirements and specifications that define this product. Suitability for any application is the responsibility of the purchaser.

