

# idec SJ Series DIN Rail Mount Socket Operating Instructions

Type No. SJ1S-05B, SJ2S-05B  
SJ1S-07L, SJ2S-07L

Read this instruction sheet to make sure of correct operation before starting installation, wiring, operation, maintenance, and inspection of this product. Also make sure that this instruction sheet is kept by end users.

## Safety Precautions

- Turn off power to the SJ series sockets before starting installation, removal, wiring, maintenance, and inspection of the SJ series sockets. Failure to turn power off may cause electrical shocks or fire hazard.
- Use proper wires to meet the voltage and current requirements.
- Make sure that relay and output equipment are connected completely. Incomplete connection may cause overheat, resulting in fire hazard.
- To ensure safety, make sure that all descriptions in the operation instructions are followed strictly.
- Prevent metal fragments and pieces of wire from dropping inside the SJ series sockets. Ingress of such fragments and chips may cause fire hazard, damage, or malfunction.

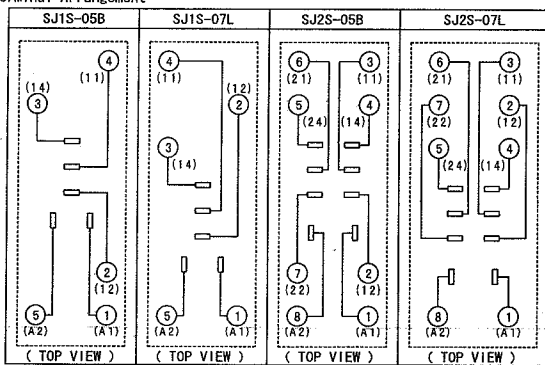
1. Types (Type Nos., Applicable Relays, Maintenance Parts)  
1-1 Refer to the table below for applicable relays.

Type	Type No.	No. of Poles	Applicable Relay
Standard	SJ1S-05B	1	idec RJ1S
Finger-safe	SJ1S-07L	1	RJ1S
Standard	SJ2S-05B	2	idec RJ2S
Finger-safe	SJ2S-07L	2	RJ2S

### 1-2 Maintenance Parts

Name	Type No.	Ordering Type No.	Package Quantity
Release Lever	SJ9Z-C1	SJ9Z-C1PN05	5

### 2. Terminal Arrangement



### 3. Safety Precaution

#### 3-1 Holding the Relay

A separate hold-down spring is not required because the release lever holds down the relay.

#### 3-2 Re-l Mounting and Removing

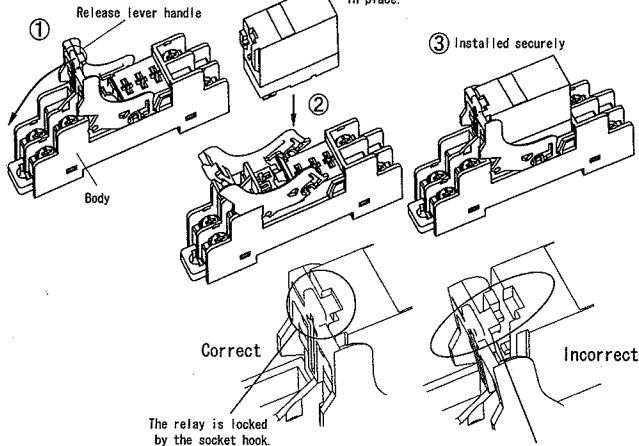
- Caution:**
- Do not mount the socket on the rail and remove the socket from the rail at temperatures below -20°C, otherwise the socket may be damaged.

#### 3-3 Applicable Screwdriver

Type	Shape and Diameter
Standard	Phillips: PH2, $\phi$ 6.4 mm max.
	Flat: 0.8 mm max. x 6.0 mm max., $\phi$ 6.0 mm max.
Finger-safe	Phillips: PH2, $\phi$ 5.5 mm max.
	Flat: 0.8 mm max. x 5.5 mm max., $\phi$ 5.5 mm max.

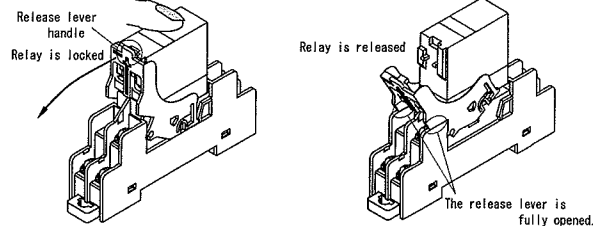
### 4. Installing the Relay

- ① To unlock, pull the release lever handle in the direction of the arrow.
- ② Install the relay on the socket by pushing down the top of the relay, until the relay is in place.



- Caution:**
- Insert the relay into the socket completely, otherwise the relay may fall off during operation.

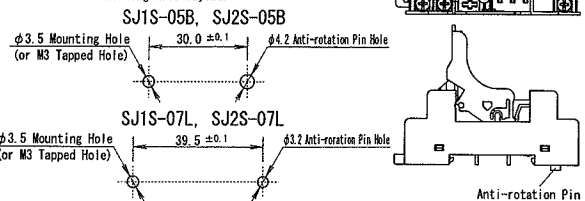
5. Removing the Relay  
Pull the release lever handle in the direction of the arrow until the release lever is fully opened. When removing the relay, hold the top of the relay with your finger.



- Caution:**
- When removing the relay, hold the top of the relay with your finger. Otherwise the relay jump out of the socket and may be damaged or may be lost.
  - The release lever is detachable. Do not exert excessive force on the release lever, otherwise the relay may fall off or may be damaged.

### 6. Panel Mounting

1. Insert the anti-rotation pin into the anti-rotation pin hole.
2. Mount the socket on panel surface using M3 screw with a screwdriver of 5.5 - mm diameter maximum.



When the socket cannot be mounted on a panel because of the size of the screw and screwdriver, remove the release lever and mount the socket. Be sure to re-install the release lever afterwards. Refer to the following section for removing and installing the release lever.

- Caution:**
- Tighten the M3 screw to a torque of 1.0 N·m maximum, otherwise the socket may be damaged.
  - The anti-rotation pin on the bottom prevents the socket from rotating when mounted on a panel. Make sure to insert the pin into the anti-rotation pin hole, otherwise the socket may be damaged.

### 7. Removing and Installing the Release Lever

Refer to the following, if needed.

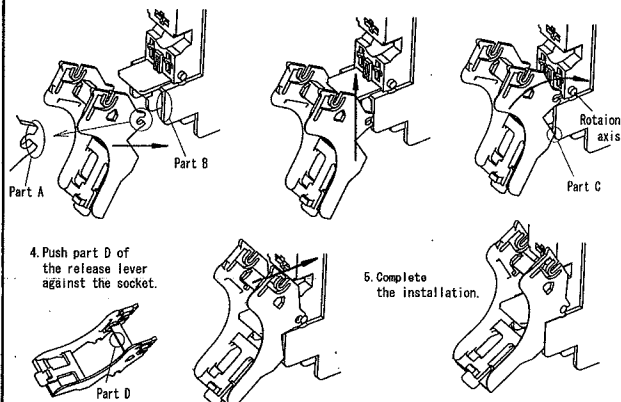
#### 7-1. Removing

1. Pull the release lever handle until the release lever is fully opened, and continue pulling further in the direction of the arrow until the release lever is removed.

- Caution:**
- Do not remove the release lever when the relay is installed, otherwise the relay may fall off or may be damaged.

#### 7-2. Installing

1. Attach part A to part B.
2. Slide the release lever in the direction of the arrow until part A runs out of part B.
3. Rotate the release lever, with the center of rotation at part C until part A touches the rotation axis.



### 8. Rated Current

Confirm the rated current of the SJ socket with the table below and make sure that the current does not exceed the rated current.

Operating Temperature	SJ1S-05B			SJ1S-07L			SJ2S-05B			SJ2S-07L		
	70°C	55°C	40°C	70°C	55°C	40°C	70°C	55°C	40°C	70°C	55°C	40°C
Single Mounting	12A			12A			8A			8A		
Close Mounting	11A *	12A	10A *	11A	12A	7A *	8A	6A *	7A	8A	7A	8A

Note \*: When installing relays of AC voltage, use spacers to provide a clearance of 4 mm minimum between adjacent sockets.

idec

http://www.idec.com

IDEC IZUMI CORPORATION

No. B-933 (1) 2005. 7