



*Innovative Combustion Solutions Worldwide*

# Locktite Manual Reset Gas Shut-Off Valves

*Series 200 LT*

- UL listed, FM & CGA approved.
- Snap-acting solenoid for fast closing.
- Two visual indicators of valve position.
- Raintight construction.
- Soft seat disc for positive shut-off.
- Two built-in auxilliary switches.
- Ball bearing trip mechanism reduces wear.
- Lever with extension chains available for remote mounting.
- 100% factory tested before shipment.

*U.S. Patent No. 3,259,357  
Canadian Patent No. 764,833*



LISTED 326R



CGA 3.9



APPROVED

Eclipse 200 LT valves are manually opening valves that automatically shut off the gas supply to a combustion system when any interlocking limit switch opens. The valve handle cannot be reset until the condition causing the open switch is corrected and all limit switches are closed. Typical limit switches include air pressure, gas pressure, temperature limit, and flame monitoring contacts. In the event of a power failure, the valve immediately closes.

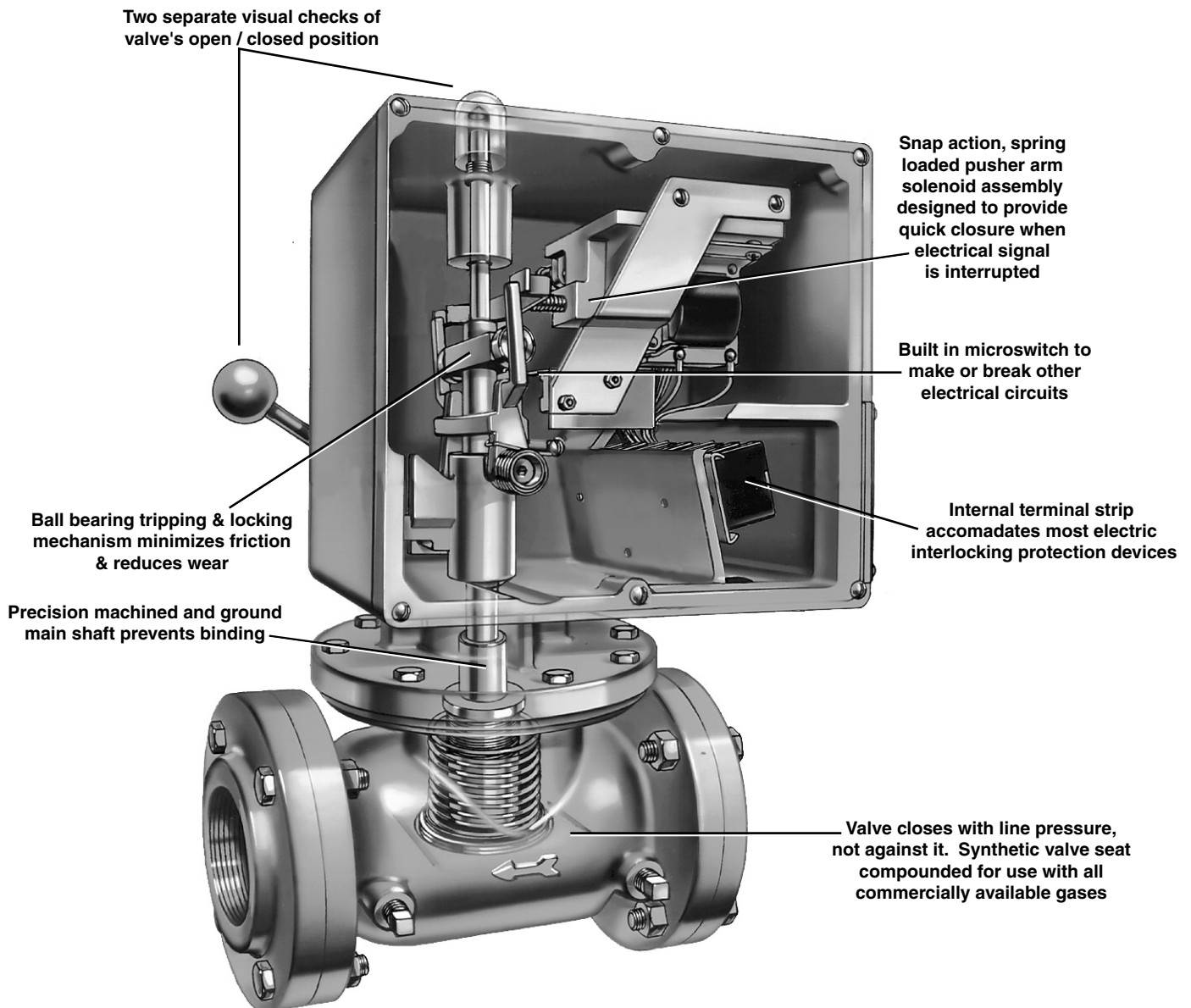
Series 200 LT valves include two visual indicators of "open" or "closed" position: a red "flag" visible in the plastic dome on top of the valve; and the reset handle position as indicated by cast markings on the operator case. These valves also include two SPDT micro-switches that can be used for auxiliary circuits. Two contacts are made when the valve opens, and two are made when the valve is closed.



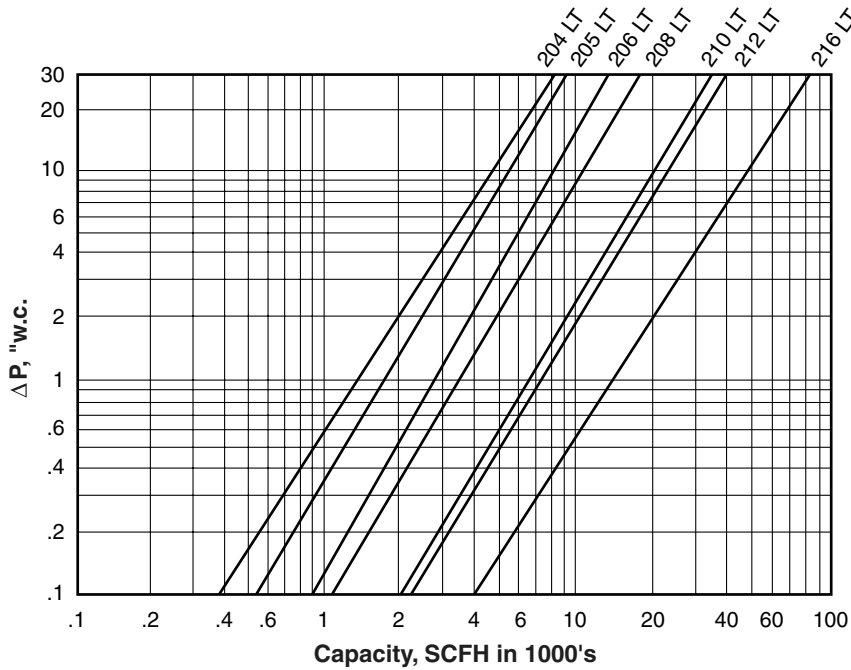
## 200 LT Specifications

<b>Temperature Limits</b>	+125° to -20° F (+52° to -29° C) fluid and ambient . Below 32° F (0° C) the gas must be free of water vapor which could condense and freeze within the valve.	
<b>Maximum Inlet &amp; Differential Pressure</b>	1" thru 2" 2-1/2" thru 4"	30 psig 20 psig
<b>Gases</b>	UL listed for air, natural gas, LP gas and hydrogen. FM approved for natural, LP and manufactured gases. CGA approved for natural and LP gases.  Contact Eclipse for other gases. For corrosive or wet gases such as coke oven or digester gas, corrosion-resistant valve trim must be installed at Eclipse.	
<b>Electrical</b>	Volts/Cycles	115/120 volt 50/60 hz standard. 220/50 or 240/60 available.
	Holding Current	35 VA at 120 volt
	Auxiliary Switches (2)	8 amp, 1/3 hp, 120 or 240 volts A.C.
<b>Approvals</b>	UL listed, FM & CGA approved.	

### Design Features



### Capacities\*



\*For natural gas (.6 s.g.) with an inlet pressure no higher than 1.1 psig. For other gases, multiply capacity by:

Butane (2.0 s.g.)	.548
Propane (1.5 s.g.)	.628
Air (1.0 s.g.)	.775

### Allowable Mounting Positions

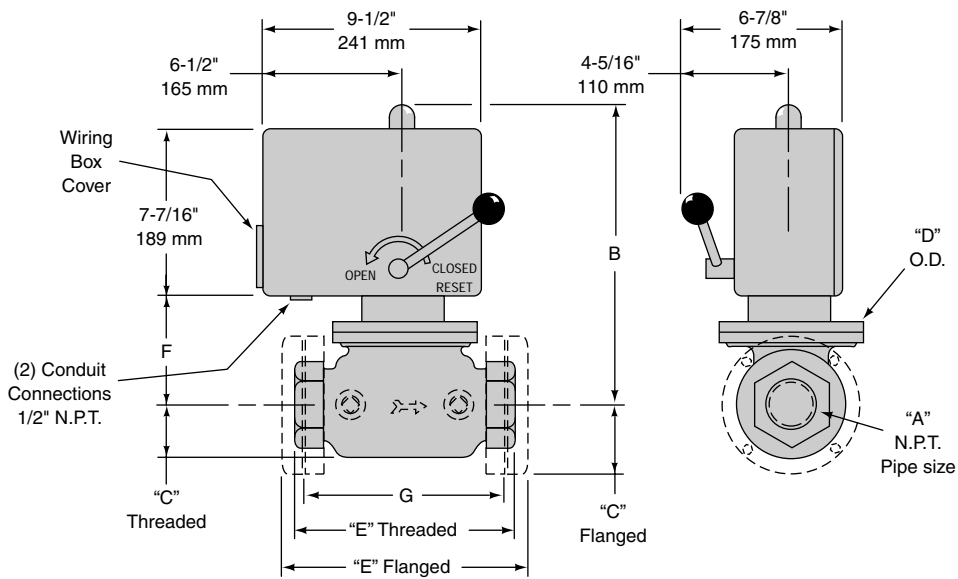
Factory Supplied Operator Position	#1 (Standard)	#2	#3	#4
Valve Mounted With Operator Straight Up or Down				
Valve Mounted With Wiring Box Cover Facing Up				

200 LT valves can be supplied with the operator rotated in any of four positions with respect to the valve body, #1, #2, #3, and #4. Position #1 is supplied standard unless otherwise specified. The sketches above show the allowable mounting orientations for each of the four factory-supplied operator positions. The operator must not be mounted in a position other than those shown.



**Note:** Incorrect rotation of the operator can result in damage to the microswitch. Please contact your Eclipse representative if rotation of the operator after shipment is required.

## 200 LT Dimensions



### English Units

Catalog Number	Assembly Number		C <sub>v</sub> Open	Dimensions In Inches							Net Lbs.
	120 V.	240 V.		A	B	C	D	E	F	G	
<b>Threaded Iron Body</b>											
204LT-IS	571604	571604-1	23.4	1	12-1/16	1-1/2	5-1/2	7-1/4	3-11/16	---	26
205LT-IS	571605	571605-1	29.8	1-1/4	12-1/16	1-1/2	5-1/2	7-1/4	3-11/16	---	26
206LT-IS	571606	571606-1	50.4	1-1/2	12-5/8	2-1/16	5-1/2	9	4-5/16	---	32
208LT-IS	571608	571608-1	58.5	2	12-5/8	2-1/16	5-1/2	9	4-5/16	---	30
<b>Flanged Aluminum Body</b>											
204LT-AF	560604	560604-1	23.4	1	12-3/16	1-3/4	5-7/8	7-1/16	3-13/16	5-7/8	23
205LT-AF	560605	560605-1	29.8	1-1/4	12-3/16	1-3/4	5-7/8	7-1/16	3-13/16	5-7/8	23
206LT-AF	560606	560606-1	50.4	1-1/2	12-3/4	2-1/2	5-7/8	9	4-13/16	7	28
208LT-AF	560608	560608-1	58.5	2	12-3/4	2-1/2	5-7/8	9	4-13/16	7	27
216LT-AF	560616	560616-1	234.0	4	16-3/16	4	7-15/16	15-5/8	7-13/16	13	60
<b>Flanged Iron Body</b>											
210LT-IF	560611	560611-1	116.0	2-1/2	14-1/8	3-1/16	7-7/8	12-5/8	5-3/4	9-3/4	52
212LT-IF	560613	560613-1	126.0	3	14-1/8	3-1/16	7-7/8	12-1/4	5-3/4	9-3/4	52

### Metric Units

Catalog Number	Assembly Number		C <sub>v</sub> Open	Dimensions In Millimeters							Net Kgs.
	120 V.	240 V.		A	B	C	D	E	F	G	
<b>Threaded Iron Body</b>											
204LT-IS	571604	571604-1	23.4	1"	306	38	140	184	94	---	11.8
205LT-IS	571605	571605-1	29.8	1-1/4"	306	38	140	184	94	---	11.8
206LT-IS	571606	571606-1	50.4	1-1/2"	321	52	140	229	110	---	14.5
208LT-IS	571608	571608-1	58.5	2"	321	52	140	229	110	---	13.6
<b>Flanged Aluminum Body</b>											
204LT-AF	560604	560604-1	23.4	1"	310	44	149	195	97	149	10.4
205LT-AF	560605	560605-1	29.8	1-1/4"	310	44	149	195	97	149	10.4
206LT-AF	560606	560606-1	50.4	1-1/2"	324	64	149	229	122	178	12.7
208LT-AF	560608	560608-1	58.5	2"	324	64	149	229	122	178	12.2
216LT-AF	560616	560616-1	234.0	4"	411	102	202	397	198	330	27.2
<b>Flanged Iron Body</b>											
210LT-IF	560611	560611-1	116.0	2-1/2"	359	78	200	321	146	248	23.5
212LT-IF	560613	560613-1	126.0	3"	359	78	200	321	146	248	23.5

