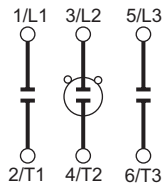
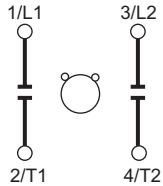


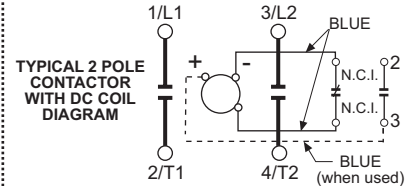
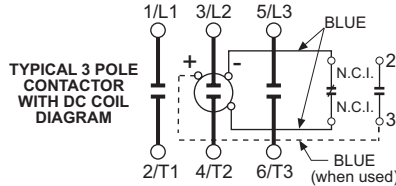
TYPICAL 3 POLE CONTACTOR WITH AC COIL DIAGRAM



TYPICAL 2 POLE CONTACTOR WITH AC COIL DIAGRAM



IMPORTANT: Incoming DC must be connected between + and - Terminal.



USE 75°C COPPER WIRE ONLY

MAIN

PRESSURE PLATE & BINDING HEAD SCREW

TORQUE

15 LB-IN [1,7 N-m]
22 LB-IN [2,5 N-m]

BOX LUG
#14-12 WIRE
#10 WIRE
#8 WIRE
#6-4 WIRE

15 LB-IN [1,7 N-m]
25 LB-IN [3,9 N-m]
40 LB-IN [4,5 N-m]
45 LB-IN [5,1 N-m]

AUXILIARY SCREWS

8-12 LB-IN [0,9-1,3 N-m]

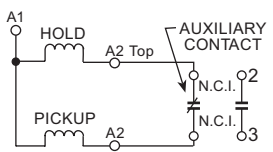
COIL TERMINAL SCREWS

7-10 LB-IN [0,8-1,1 N-m]

COIL SELECTION

COILS		CLASS F DUTY		CLASS H DUTY	
Voltage	Hz	15-40A	50A	15-40A	50A
		Part No.	Part No.	Part No.	Part No.
V AC					
110-120	50/60	9-3185-1	9-3186-1	9-3252-1	9-3253-1
208-240	50/60	9-3185-2	9-3186-2	9-3252-2	9-3253-2
440-480	50/60	9-3185-3	9-3186-3	9-3252-3	9-3253-3
550-600	50/60	9-3185-4	9-3186-4	9-3252-4	9-3253-4
12	50/60	9-3185-5	9-3186-5	9-3252-5	9-3253-5
24	50/60	9-3185-6	9-3186-6	9-3252-6	9-3253-6
277	60	9-3185-7	9-3186-7	9-3252-7	9-3253-7
380-415	50	9-3185-8	9-3186-8	9-3252-8	9-3253-8
26	60	9-3185-9	9-3186-9	9-3252-9	9-3253-9
220-240	50/60	9-3185-10	9-3186-10	9-3252-10	9-3253-10
V DC					
12		9-3254-2	9-3255-2		
24		9-3254-3	9-3255-3		
48		9-3254-4	9-3255-4		
120		9-3254-5	9-3255-5		

DC COIL ELEMENTARY DIAGRAM

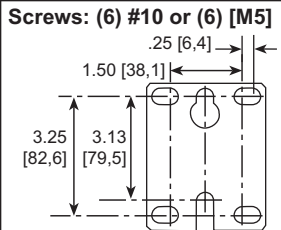


AUXILIARY CONTACT SELECTION (4 N.O. Contacts Max.)

Pressure Plate Terminals

Contacts	Catalog No.
NO	C320KG1
NC	C320KG2
NO / NC	C320KG3
NO / NO	C320KG4
NC / NC	C320KG5

MOUNTING HOLES INCH [MM]



Pressure Plate Terminals With Quick Connects

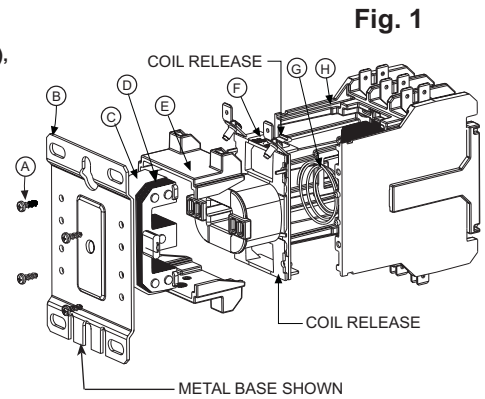
Contacts	Catalog No.
NO	C320KG11
NC	C320KG12
NO / NC	C320KG13
NO / NO	C320KG14
NC / NC	C320KG15

Snap Switch Auxiliary With Quick Connects

Contacts	Catalog No.
NO / NC	C320SNP11
2 NO / 2NC	C320SNP22

COIL INSTALLATION & MOUNTING OPTIONS

1. Disconnect all power to the contactor.
2. Disconnect Coil leads.
3. Remove four base mounting screws (A), Base (B), insulator (C), magnet assembly (D), and two coil supports (E) from housing (H).
4. Release coil (F) and remove from housing (H) by pressing in on the coil flanges from both sides (See Diagram).
5. Insert new coil making sure the large diameter of the return spring (G) is seated in pocket on coil flange. **Coil can be rotated at this time.**
6. Snap coil into housing, slide in coil supports, insert magnet assembly, insulator and replace base with four screws. (Ref. #4-24 x .375 Pan Head thread forming steel screws). Torque to **5.5 LB-IN** [0,6 N-m].
7. Reconnect the coil leads.



MOUNTING OPTIONS:
VERTICAL, HORIZONTAL, OR TABLETOP

AUXILIARY CONTACT INSTALLATION FIG. 2 AND FIG. 3

1. Disconnect all power to the contactor.
2. Remove Side Shield from side of Contactor where Auxiliary Contact will be installed. See Fig. 2
3. Insert the interlock drive hook into the contactor drive bar.
4. Pull interlock up and insert the mounting hooks into the notches on the top of the contactor.
5. Push the interlock into the notches until tab 'A' locks into place.
6. For DC coils, reconnect auxiliary interlock leads.

NOTE: AUXILIARY CONTACTS CAN BE ADDED TO EITHER SIDE OR BOTH SIDES OF THE CONTACTOR. TOP ADDER ALSO AVAILABLE.

Fig. 2 Removal of Side Shield

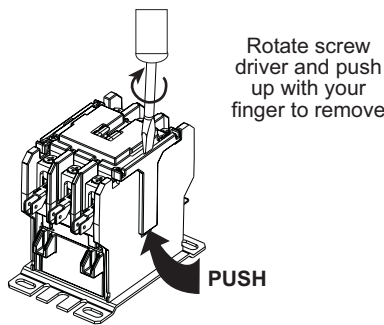
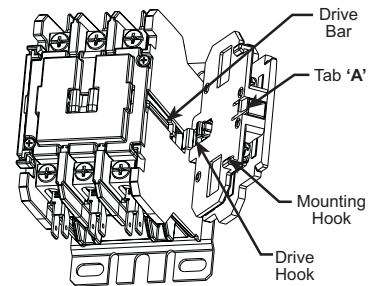


Fig. 3 Installation of Auxiliary



COVER SCREWS: (2) #4-24 x .375 Pan Head, Thread forming steel screws. Torque to 4.5 LB-IN [0,5N-m]

TYPE 1 SHORT CIRCUIT WITHSTAND INFORMATION

North American Rating Information

Suitable for use on a circuit capable of delivering not more than 5,000 rms symmetrical Amperes, 600 Volts maximum, when protected by Class **K5** fuses, time-delay fuses per the **NEC** or **CEC**, or Inverse Time Circuit Breakers (Thermal Magnetic). *Maximum non time-delay fuse size for 40 Amp. Contactors = 125 Amperes.*

International Rating Information (Protective Current "r")

Contactor AC3	Maximum Value	Maximum Breaker - Eaton Electrical	Maximum Fuse (SIBA Type gL/gG)
15 - 30 A	3,000 A - 600 V	Cat. No. FW3100L (100 A - 690 V)	Cat. No. 100NH2G (100 A - 690 V)
40 A	3,000 A - 600 V	Cat. No. FW3125L (125 A - 690 V)	Cat. No. 125NH2G (125 A - 690 V)
50 A	3,000 A - 600 V	Cat. No. FW3160L (160 A - 690 V)	Cat. No. 160NH2G (160 A - 690 V)