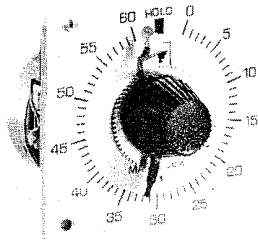




## AB4 MANUFLEX® SERIES HAND SET TIMER



The MANUFLEX® AB Series timer is a manually set, synchronous motor driven timer, adjustable to a selected time range by a large, easy to read set pointer. To operate, turn the set pointer to the required time interval. A load circuit is closed when the pointer is turned from zero. The timer motor drives the pointer back to zero, at which point the load circuit opens. Timer is used where a device is to be turned on, runs a selected time and stops at the end of the time interval.

The AB has a *hold* position enabling the load circuit to remain off, or remain on, without starting the timing motor.

The AB series has a preset stop between *hold* and *maximum* time to prevent counter-clockwise pointer setting beyond *hold*. It also has an adjustable stop enabling operator to limit clockwise pointer setting to a pre-determined time on the dial. Lifting of adjustable pointer limit stop lever raises pawls from gear teeth, allowing stop to be rotated to required position. Releasing limit stop lever engages pawls in gear teeth, locking lever in position. Stop lever may be adjusted during the timing period.

## SPECIFICATIONS

### Time Range

Symbol	Description
0	0 - 5 Minutes
1	0-10 Minutes
2	0-30 Minutes
3	0-60 Minutes
4	0-5 Hours
5	0-10 Hours
6	0-3 Hours
7	0-30 Hours
8	0-60 Hours

### Contact Rating

AC Volts	Contact No. 2 N.O.	Contact No. 1 N.C.
120 Volts	15 Amps	5 Amps
240 Volts	10 Amps	3 Amps

### Voltage/Frequency

120V (+10, -15%) 50/60 Hz  
240V (+10, -15%) 50/60 Hz

### Minimum Setting

1% of total scale

### Burden

4VA

### Laboratory Testing

C.S.A. Certification LR-26861  
UL Recognition E61735

## Eagle Signal Controls

A Mark IV Industries Company  
8004 Cameron Road, Austin, Texas 78753 U.S.A.

## Dynapar, Veeder Root, and Eagle Signal Brands:

Sales, Repair, and Application Support:

1675 Delany Rd.

Gurnee, IL. 60031

847-662-4150 Sales/Order Entry Fax

847-782-5277 Applications Support Fax

800-873-8731 Sales/Order Entry

800-234-8731 Applications Support

## NorthStar Brand:

Sales, Repair, and Application Support:

1675 Delany Rd.

Gurnee, IL. 60031

847-782-5288 Sales/Order Entry Fax

847-782-5277 Applications Support Fax

800-326-6216 Sales/Order Entry

800-326-6216 Applications Support

## Partlow, West, Rustrak, and LFE Brands:

Sales, Repair, and Application Support:

1675 Delany Rd.

Gurnee, IL. 60031

847-662-4150 Sales/Order Entry Fax

847-782-5277 Applications Support Fax

800-873-8731 Sales/Order Entry

800-866-6659 Applications Support

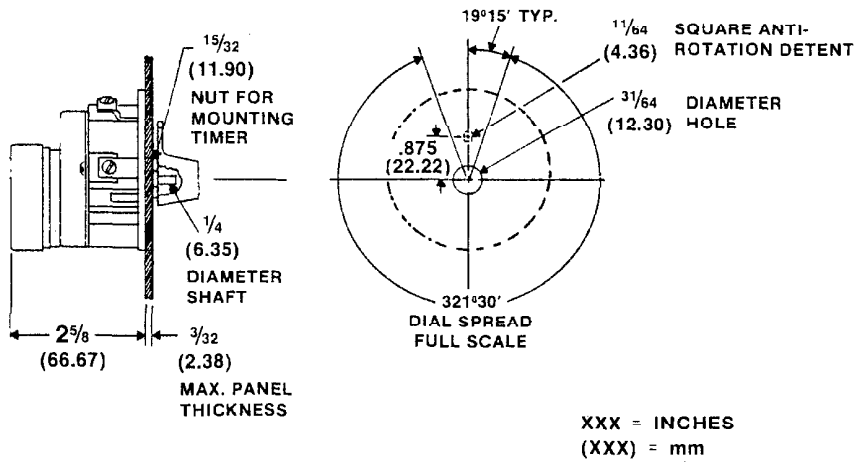
Please disregard all phone numbers and addresses in this manual. The phone numbers and address on this page are the correct phone number and addresses to use for sales, repair, and application support.

# TIME CONTROL

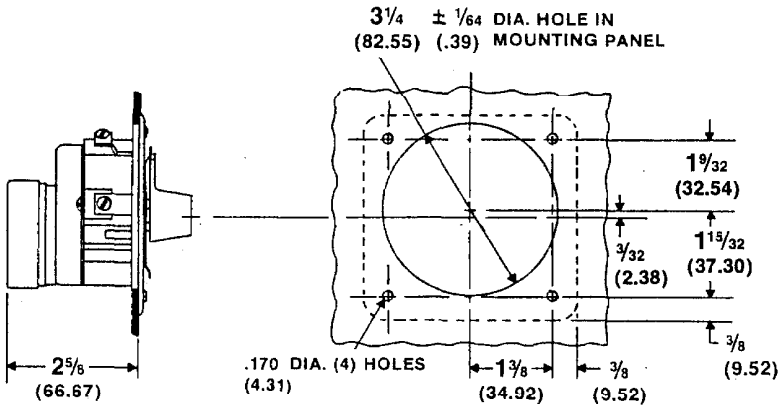


## MOUNTING DIMENSIONS

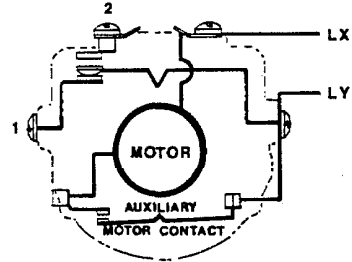
### One Hole Mounting



### Flush Mounting



## WIRING DIAGRAM



The AB4 has a single pole, double throw switch and a motor cut-out switch. Load switch contacts LY and 1 are normally closed. When pointer is turned to any point on timing scale, contacts LY and 1 open and LY and 2 close. Auxiliary motor contacts also close and start timing motor. When pointer is at 0 (timed out), only LY and 1 are closed. When pointer is turned to "Hold", contacts LY and 1 open and LY and 2 close without starting the timer motor.

## ORDERING INFORMATION

AB4 3 A6 04

### TIME RANGE

Symbol	Description
0	0-5 minutes
1	0-10 minutes
2	0-30 minutes
3	0-60 minutes
4	0-5 hours
5	0-10 hours
6	0-3 hours
7	0-30 hours
8	0-60 hours

### FEATURES

Symbol	Description
04	Modified for Mounting in NEMA VII Enclosure

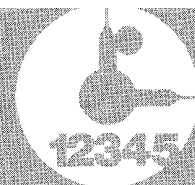
### VOLTAGE/FREQUENCY

Symbol	Description
A5	120V 50Hz
A6	120V 60Hz
B5	240V 50Hz
B6	240V 60Hz

Request Bulletin 174E for Timer Parts List.

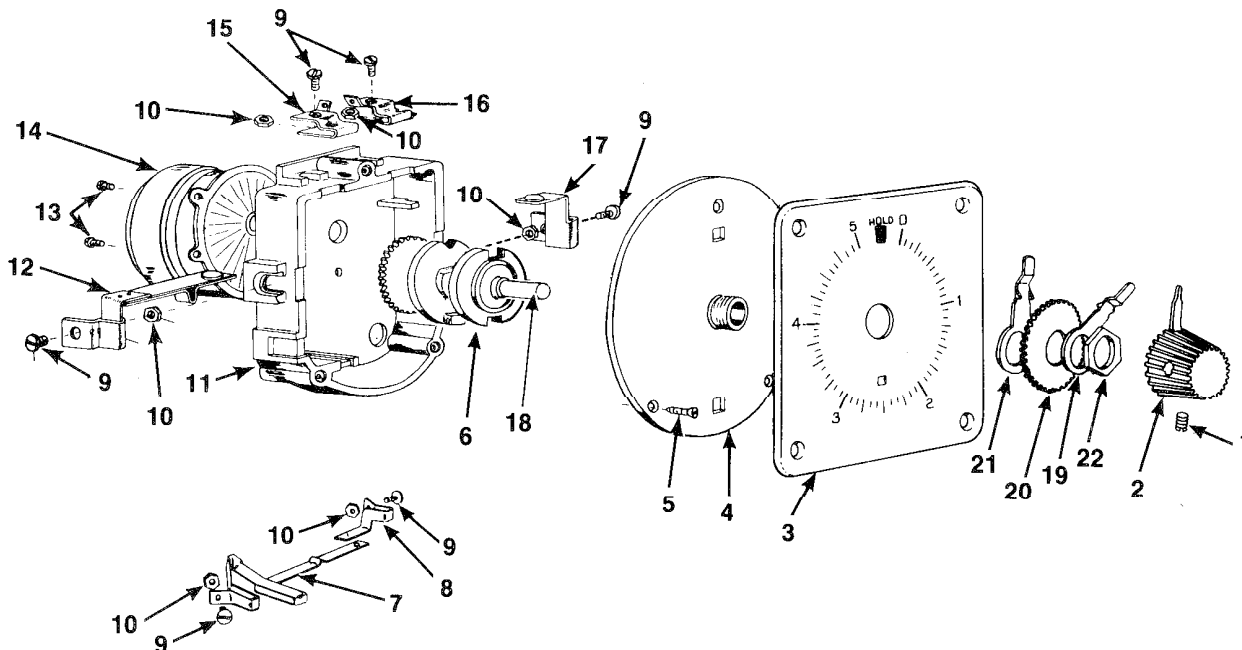
NEMA 1 Enclosure - HN319  
(Order Separately)

# TIME CONTROL



BULLETIN 174E

## PARTS LIST AB SERIES MANUFLEX® Timer



- |  |                                      |
|--|--------------------------------------|
| 1. 0135604 8-32x3/16 Set screw           | 12. AB10-10 Contact assembly         |
| 2. PBK-61 Knob                           | 13. 0133910 4-24 x 3/16 Self tapping |
| 3. Dial                                  | 14. Motor                            |
| 4. AB10-6 Cover assembly                 | 15. H-5231 Terminal clip             |
| 5. 0133911 4-24 x 3/8 Self-tapping screw | 16. AB10-9 Contact assembly          |
| 6. PHC-10 Disc Follower                  | 17. AB10-8 Contact assembly          |
| 7. AB10-12 Contact assembly              | 18. 3000-1051 Main shaft assembly    |
| 8. AB10-5 Contact assembly               | 19. H-3037 Stop lever                |
| 9. 0123212 6-32 x 3/16 Binder head       | 20. H-5586 Stop lever detent         |
| 10. 0150614 6-32 Hex nut                 | 21. H-3038 Stop lever                |
| 11. 1106-5574 Housing                    | 22. 1500-1861 Hex nut                |

Time Range	Time Symbol	Motor 120 Volt		Motor 240 Volt		Dial Part No.
		60 Hz	50 Hz	60 Hz	50 Hz	
5 Min.	0	PMH-79	PMH-78	PMH-82	PMH-81	PAN-549
10 Min.	1	PMH-85	PMH-84	PMH-88	PMH-87	PAN-550
30 Min.	2	PMH-97	PMH-96	PMH-100	PMH-99	PAN-551
60 Min.	3	PMH-109	PMH-108	PMH-112	PMH-111	PAN-552
5 Hr.	4	PMH-133	PMH-132	PMH-136	PMH-135	PAN-549
10 Hr.	5	4132-0291	PMH-138	PMH-142	PMH-141	PAN-550
3 Hr.	6	PMH-380	PMH-382	PMH-381	PMH-383	PAN-553
30 Hr.	7	PMH-151	PMH-150	PMH-154	PMH-153	PAN-551
60 Hr.	8	4131-0111	4131-0281	PMH-384	PMH-385	PAN-552

Recommended spare parts — 1 Motor — Ref. No. 14

## Eagle Signal Controls

A Mark IV Industries Company  
8004 Cameron Road, Austin, Texas 78753 U.S.A.

PRINTED U.S.A. REVISED 3/86