



3001



3002BRN



3003I



3001PLR120

Features - Specifications

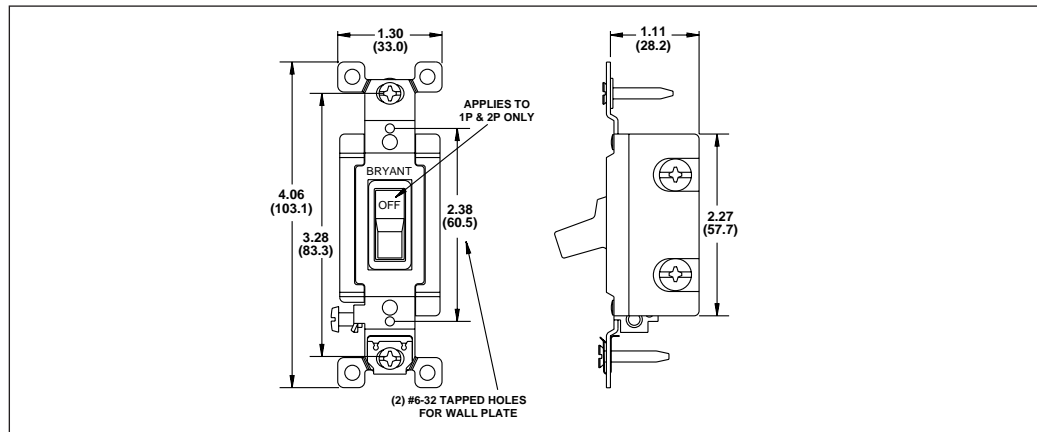
- High impact/chemical resistant nylon toggle
- Extra-wide yoke assures structural integrity, brass and nickel plating to resist corrosion
- Color-coded face indicates ampere rating
- Side wiring: large brass binding head screw terminals accepts up to #10 wire
- Back wiring: clamp-type terminals accept up to #10 wire
- Approved for CU wire only
- Silver cadmium oxide contacts
- Rivetless one-piece copper-alloy contact arm for excellent conductivity
- Exclusive high impact/chem-ical resistant rocker and coil compression spring
- Urea insulating safety barrier
- Grounding connections – green hex head grounding screw and automatic ground clip
- Strip gauge for accurate back wiring
- Thread cleaning captive combination Phillips/slotted/Robertson mounting screws
- Break-off plaster ears
- AC – general use snap switches are designed for controlling as permitted by the NEC, resistive, inductive, tungsten-filament, fluorescent and motor loads for AC branch lighting and appliance circuits
- UL Listed File #E1464 – Guide #WMUZ
- Verified under Fed Spec. #W-S 896
- CSA Certified File #LR375 – Guide #380-W-19.7
- Complies with UL 20 and NEMA Standard WD-1
- NOM

CATALOG NUMBER	DESCRIPTION
30 AMP 120-277V AC	
3001 3001GRY 3001I 3001PLR120 ●	Single-pole, brown handle Single-pole, gray handle Single-pole, ivory handle Single-pole, red pilot handle, 120V
3002BRN 3002GRY 3002I 3002PLR120 ● 3002PLR277 ●	Double-pole, brown handle Double-pole, gray handle Double-pole, ivory handle Double-pole, red pilot handle, 120V Double-pole, red pilot handle, 277V
3003BRN 3003GRY 3003I	3-way, brown handle 3-way, gray handle 3-way, ivory handle

HORSEPOWER RATED

RATING	120V	240V	MAX
30 AMP	2 HP	2 HP	20 AMP

PRODUCT DIMENSIONS – () Indicates mm dimensions



● Pilot on when switch is "on".
Specifications are subject to change without notice.