

# MicroLogix 1762-OF4 Analog Output Module

Catalog Number 1762-OF4

---

[http://literature.rockwellautomation.com/idc/groups/literature/documents/in/1762-in016\\_-mu-p.pdf](http://literature.rockwellautomation.com/idc/groups/literature/documents/in/1762-in016_-mu-p.pdf)

---

**FR**

Cette publication est disponible en français sous forme électronique (fichier PDF). Pour la télécharger, rendez-vous sur la page Internet indiquée ci-dessus.

**IT**

Questa pubblicazione è disponibile in Italiano in formato PDF. Per scaricarla collegarsi al sito Web indicato sopra.

**DE**

Diese Publikation ist als PDF auf Deutsch verfügbar. Gehen Sie auf die oben genannte Web-Adresse, um nach der Publikation zu suchen und sie herunterzuladen.

**ES**

Esta publicación está disponible en español como PDF. Diríjase a la dirección web indicada arriba para buscar y descarga esta publicación.

**PT**

Esta publicação está disponível em português como PDF. Vá ao endereço web que aparece acima para encontrar e fazer download da publicação.

---



# MicroLogix 1762-OF4 Analog Output Module

Catalog Number 1762-OF4

| <b>Topic</b>                               | <b>Page</b> |
|--|-------------|
| Important User Information                 | 4           |
| North American Hazardous Location Approval | 6           |
| Additional Resources                       | 7           |
| Overview                                   | 8           |
| Module Description                         | 9           |
| Mount the Module                           | 10          |
| Field Wiring Connections                   | 13          |
| Grounding the Module                       | 13          |
| Output Type Selection                      | 14          |
| Wiring the Finger-Safe Terminal Block      | 16          |
| Specifications                             | 22          |

## Important User Information

Solid state equipment has operational characteristics differing from those of electromechanical equipment. Safety Guidelines for the Application, Installation and Maintenance of Solid State Controls (Publication SGI-1.1 available from your local Rockwell Automation sales office or online at <http://literature.rockwellautomation.com>) describes some important differences between solid state equipment and hard-wired electromechanical devices. Because of this difference, and also because of the wide variety of uses for solid state equipment, all persons responsible for applying this equipment must satisfy themselves that each intended application of this equipment is acceptable.





In no event will Rockwell Automation, Inc. be responsible or liable for indirect or consequential damages resulting from the use or application of this equipment.

The examples and diagrams in this manual are included solely for illustrative purposes. Because of the many variables and requirements associated with any particular installation, Rockwell Automation, Inc. cannot assume responsibility or liability for actual use based on the examples and diagrams.

No patent liability is assumed by Rockwell Automation, Inc. with respect to use of information, circuits, equipment, or software described in this manual.

Reproduction of the contents of this manual, in whole or in part, without written permission of Rockwell Automation, Inc., is prohibited.

Throughout this manual, when necessary, we use notes to make you aware of safety considerations.

|  |  |
|--|--|
| <p><b>WARNING</b></p>         | <p>Identifies information about practices or circumstances that can cause an explosion in a hazardous environment, which may lead to personal injury or death, property damage, or economic loss.</p>                              |
| <p><b>IMPORTANT</b></p>  | <p>Identifies information that is critical for successful application and understanding of the product.</p>  |
| <p><b>ATTENTION</b></p>      | <p>Identifies information about practices or circumstances that can lead to personal injury or death, property damage, or economic loss. Attentions help you identify a hazard, avoid a hazard and recognize the consequences.</p> |
| <p><b>SHOCK HAZARD</b></p>  | <p>Labels may be on or inside the equipment (for example, drive or motor) to alert people that dangerous voltage may be present.</p>   |
| <p><b>BURN HAZARD</b></p>   | <p>Labels may be on or inside the equipment (for example, drive or motor) to alert people that surfaces may reach dangerous temperatures.</p>  |

---

## Environment and Enclosure

---

**ATTENTION**

This equipment is intended for use in a Pollution Degree 2 industrial environment, in overvoltage Category II applications (as defined in IEC 60664-1), at altitudes up to 2000 m (6562 ft) without derating. This equipment is considered Group 1, Class A industrial equipment according to IEC/CISPR 11. Without appropriate precautions, there may be difficulties with electromagnetic compatibility in residential and other environments due to conducted and radiated disturbances.

This equipment is supplied as open-type equipment. It must be mounted within an enclosure that is suitably designed for those specific environmental conditions that will be present and appropriately designed to prevent personal injury resulting from accessibility to live parts. The enclosure must have suitable flame-retardant properties to prevent or minimize the spread of flame, complying with a flame spread rating of 5VA, V2, V1, V0 (or equivalent) if non-metallic. The interior of the enclosure must be accessible only by the use of a tool. Subsequent sections of this publication may contain additional information regarding specific enclosure type ratings that are required to comply with certain product safety certifications.

In addition to this publication, see:

- Industrial Automation Wiring and Grounding Guidelines, for additional installation requirements, Allen-Bradley publication [1770-4.1](#).
- NEMA Standards 250 and IEC 60529, as applicable, for explanations of the degrees of protection provided by different types of enclosure.

---

## Preventing Electrostatic Discharge

---



**ATTENTION**

This equipment is sensitive to electrostatic discharge, which can cause internal damage and affect normal operation. Follow these guidelines when you handle this equipment:

- Touch a grounded object to discharge potential static.
  - Wear an approved grounding wriststrap.
  - Do not touch connectors or pins on component boards.
  - Do not touch circuit components inside the equipment.
  - Use a static-safe workstation, if available.
  - Store the equipment in appropriate static-safe packaging when not in use.
-

## North American Hazardous Location Approval

The following modules are North American Hazardous Location approved: 1762-OF4

|  |   |
|--|---|
| <p><b>The following information applies when operating this equipment in hazardous locations:</b></p>  | <p><b>Informations sur l'utilisation de cet équipement en environnements dangereux:</b></p>   |
| <p>Products marked "CL I, DIV 2, GP A, B, C, D" are suitable for use in Class I Division 2 Groups A, B, C, D, Hazardous Locations and nonhazardous locations only. Each product is supplied with markings on the rating nameplate indicating the hazardous location temperature code. When combining products within a system, the most adverse temperature code (lowest "T" number) may be used to help determine the overall temperature code of the system. Combinations of equipment in your system are subject to investigation by the local Authority Having Jurisdiction at the time of installation.</p> | <p>Les produits marqués "CL I, DIV 2, GP A, B, C, D" ne conviennent qu'à une utilisation en environnements de Classe I Division 2 Groupes A, B, C, D dangereux et non dangereux. Chaque produit est livré avec des marquages sur sa plaque d'identification qui indiquent le code de température pour les environnements dangereux. Lorsque plusieurs produits sont combinés dans un système, le code de température le plus défavorable (code de température le plus faible) peut être utilisé pour déterminer le code de température global du système. Les combinaisons d'équipements dans le système sont sujettes à inspection par les autorités locales qualifiées au moment de l'installation.</p>                             |
| <p><b>WARNING</b></p>   | <p><b>EXPLOSION HAZARD</b></p> <ul style="list-style-type: none"> <li>• Do not disconnect equipment unless power has been removed or the area is known to be nonhazardous.</li> <li>• Do not disconnect connections to this equipment unless power has been removed or the area is known to be nonhazardous. Secure any external connections that mate to this equipment by using screws, sliding latches, threaded connectors, or other means provided with this product.</li> <li>• Substitution of components may impair suitability for Class I, Division 2.</li> <li>• If this product contains batteries, they must only be changed in an area known to be nonhazardous.</li> </ul>   |
| <p><b>AVERTISSEMENT</b></p>   | <p><b>RISQUE D'EXPLOSION</b></p> <ul style="list-style-type: none"> <li>• Couper le courant ou s'assurer que l'environnement est classé non dangereux avant de débrancher l'équipement.</li> <li>• Couper le courant ou s'assurer que l'environnement est classé non dangereux avant de débrancher les connecteurs. Fixer tous les connecteurs externes reliés à cet équipement à l'aide de vis, loquets coulissants, connecteurs filetés ou autres moyens fournis avec ce produit.</li> <li>• La substitution de composants peut rendre cet équipement inadapté à une utilisation en environnement de Classe I, Division 2.</li> <li>• S'assurer que l'environnement est classé non dangereux avant de changer les piles.</li> </ul> |

## Additional Resources

| Resource   | Description  |
|--|--|
| MicroLogix 1100 Programmable Controllers User Manual, publication <a href="#">1763-UM001</a>               | A more detailed description of how to install and use your MicroLogix 1100 programmable controller and expansion I/O system. |
| MicroLogix 1200 Programmable Controllers User Manual, publication <a href="#">1762-UM001</a>               | A more detailed description of how to install and use your MicroLogix 1200 programmable controller and expansion I/O system. |
| MicroLogix 1400 Programmable Controllers User Manual, publication <a href="#">1766-UM001</a>               | A more detailed description of how to install and use your MicroLogix 1400 programmable controller and expansion I/O system. |
| MicroLogix 1100 Programmable Controllers Installation Instructions, publication <a href="#">1763-IN001</a> | Information on installing and using the MicroLogix 1100 programmable controller.   |
| MicroLogix 1200 Programmable Controllers Installation Instructions, publication <a href="#">1762-IN006</a> | Information on installing and using the MicroLogix 1200 programmable controller.   |
| MicroLogix 1400 Programmable Controllers Installation Instructions, publication <a href="#">1766-IN001</a> | Information on installing and using the MicroLogix 1400 programmable controller.   |
| Industrial Automation Wiring and Grounding Guidelines, publication <a href="#">1770-4.1</a>                | More information on proper wiring and grounding techniques.  |

If you would like a manual, you can:

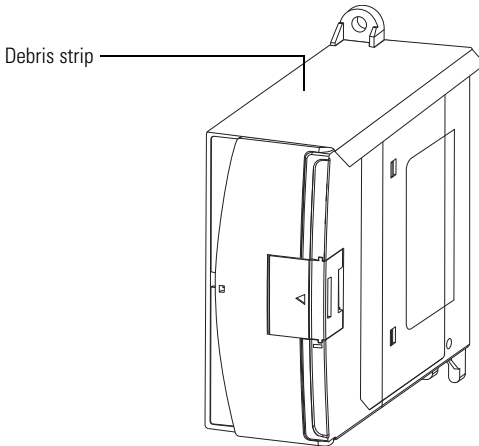
- download a free electronic version from the Internet:  
<http://literature.rockwellautomation.com>
- purchase a printed manual by contacting your local Allen-Bradley distributor or Rockwell Automation representative

## Overview

1762 output module is suitable for use in an industrial environment when installed in accordance with these instructions. Specifically, this equipment is intended for use in clean, dry environments (Pollution degree 2<sup>(1)</sup>) and to circuits not exceeding Over Voltage Category II<sup>(2)</sup> (IEC 60664-1)<sup>(3)</sup>.

Install your module using these installation instructions.

### 1762 Output Module



45155

---

#### ATTENTION



Do not remove the protective debris strip until after the module and all other equipment in the panel near the module are mounted and wiring is complete. Once wiring is complete, remove protective debris strip. Failure to remove strip before operating can cause overheating.

---

#### ATTENTION

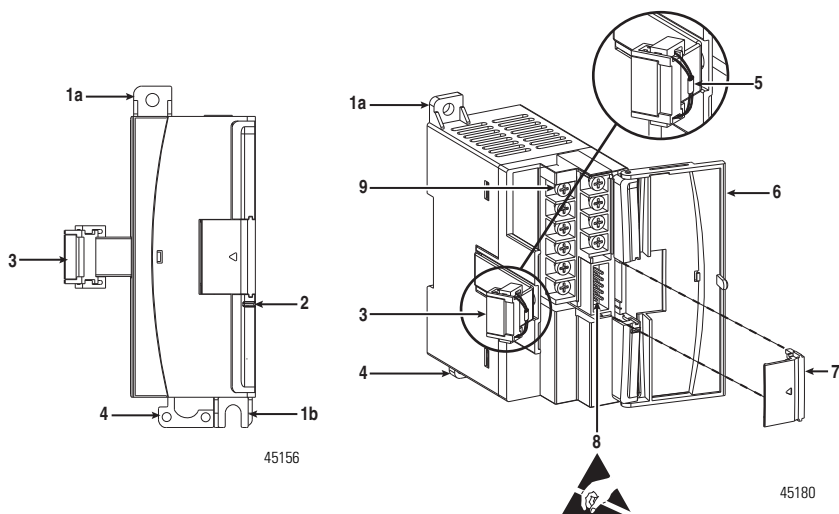


Electrostatic discharge can damage semiconductor devices inside the module. Do not touch the connector pins or other sensitive areas.

- 
- (1) Pollution Degree 2 is an environment where, normally, only non-conductive pollution occurs except that occasionally a temporary conductivity caused by condensation shall be expected.
- (2) Over Voltage Category II is the load level section of the electrical distribution system. At this level transient voltages are controlled and do not exceed the impulse voltage capability of the product's insulation.
- (3) Pollution Degree 2 and Over Voltage Category II are International Electrotechnical Commission (IEC) designations.



## Module Description



This equipment is sensitive to electrostatic discharge (ESD).  
Follow ESD prevention guidelines when handling this equipment.

**Front view**

**Left side view**

|    | <b>Description</b>                            |   | <b>Description</b>                             |
|----|---|---|--|
| 1a | upper panel mounting tab                      | 5 | pull loop                                      |
| 1b | lower panel mounting tab                      | 6 | module door with terminal identification label |
| 2  | power diagnostic LED                          | 7 | bus connector cover                            |
| 3  | flat ribbon cable with bus connector (female) | 8 | bus connector with male pins                   |
| 4  | DIN rail latch                                | 9 | terminal block                                 |

### ATTENTION



To comply with UL restrictions, this equipment must be powered from a source compliant with Class 2 or Limited Voltage/Current.

## Mount the Module

### General Considerations

Most applications require installation in an industrial enclosure to reduce the effects of electrical interference and environmental exposure. Locate your controller as far as possible from power lines, load lines, and other sources of electrical noise such as hard-contact switches, relays, and AC motor drives. For more information on proper grounding guidelines, see the Industrial Automation Wiring and Grounding Guidelines, publication [1770-4.1](#).

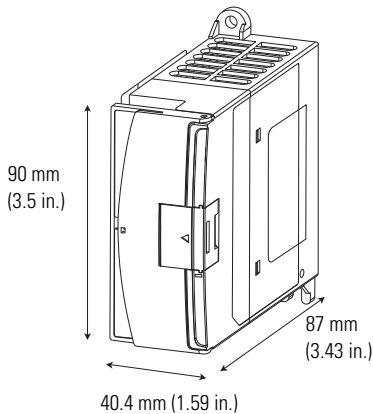
#### ATTENTION



This product is intended to be mounted to a well-grounded mounting surface such as a metal panel. Additional grounding connections from the power supply's mounting tabs or DIN rail (if used) are not required unless the mounting surface cannot be grounded. Refer to Industrial Automation Wiring and Grounding Guidelines, Allen-Bradley publication [1770-4.1](#), for additional information.

---

### Mounting Dimensions

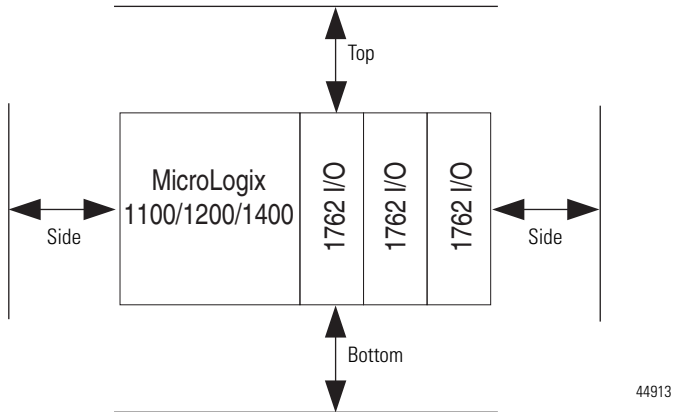


45158

Measurements do not include mounting feet or DIN rail latches.

## Module Spacing

Maintain spacing from objects such as enclosure walls, wireways and adjacent equipment. Allow 50.8 mm (2 in.) of space on all sides for adequate ventilation, as shown:



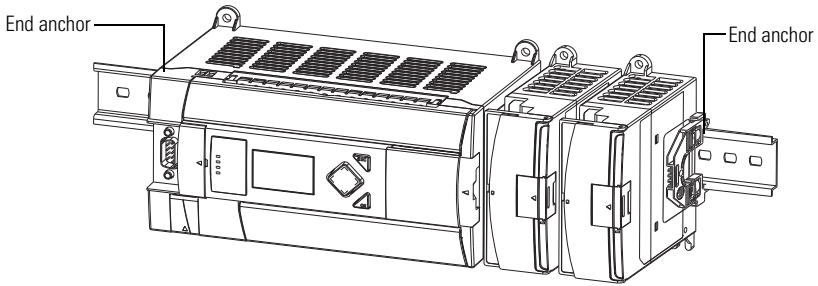
## DIN Rail Mounting

The module can be mounted using the following DIN rails: 35 x 7.5 mm (EN 50 022 - 35 x 7.5) or 35 x 15 mm (EN 50 022 - 35 x 15).

Before mounting the module on a DIN rail, close the DIN rail latch. Press the DIN rail mounting area of the module against the DIN rail. The latch will momentarily open and lock into place.

## 12 MicroLogix 1762-OF4 Analog Output Module

Use DIN rail end anchors (Allen-Bradley part number 1492-EA35 or 1492-EAH35) for vibration or shock environments.



45159

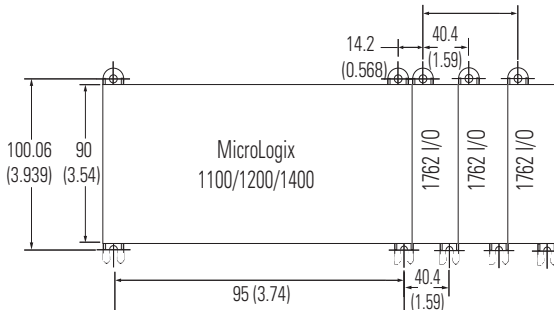
### TIP

For environments with greater vibration and shock concerns, use the panel mounting method described below, instead of DIN rail mounting.

## Panel Mounting

Use the dimensional template shown below to mount the module. The preferred mounting method is to use two M4 (#8) panhead screws per module. M3.5 (#6) panhead screws may also be used, but a washer may be needed to ensure a good mechanical contact. Mounting screws are required on every module.

For more than 2 I/O modules: measure  $(\text{number of modules} - 1) \times 40 \text{ mm}$  (1.59 in.)

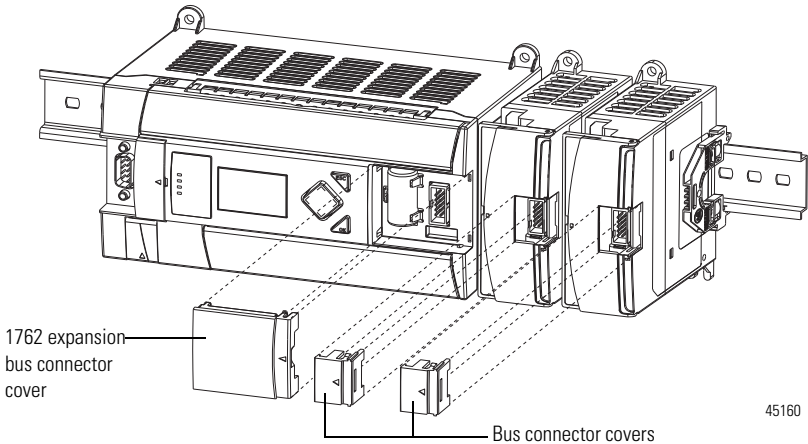


44914

**NOTE:** All dimensions are in mm (in.). Hole spacing tolerance:  $\pm 0.4 \text{ mm}$  (0.016 in.).

## System Assembly

The expansion I/O module is attached to the controller or another I/O module by means of a flat ribbon cable *after* mounting as shown below.



### TIP

Use the pull loop on the connector to disconnect modules. Do not pull on the ribbon cable.

## Field Wiring Connections

### Grounding the Module

In solid-state control systems, grounding and wire routing helps limit the effects of noise due to electromagnetic interference (EMI). Run the ground connection from the ground screw of the controller to the ground bus prior to connecting any devices. Use AWG #14 wire. For AC-powered controllers, this connection must be made for safety purposes.

You must also provide an acceptable grounding path for each device in your application. For more information on proper grounding guidelines, refer to the Industrial Automation Wiring and Grounding Guidelines, publication [1770-4.1](#).

---

**WARNING**

**EXPLOSION HAZARD**



- In Class I, Division 2 applications, the bus connector must be fully seated and the bus connector cover must be snapped in place.
  - In Class I, Division 2 applications, all modules must be mounted in direct contact with each other as shown on page 12. If DIN rail mounting is used, an end anchor must be installed ahead of the controller and after the last 1762 I/O module.
- 
- 

**ATTENTION**



To comply with the CE Low Voltage Directive (LVD), all connected I/O must be powered from a source compliant with the Safety Extra Low Voltage (SELV) or Protected Extra Low Voltage (PELV).

---

---

**WARNING**



If you connect or disconnect wiring while the field-side power is on, an electrical arc can occur. This could cause an explosion in hazardous location installations. Be sure that power is removed or the area is nonhazardous before proceeding.

---

---

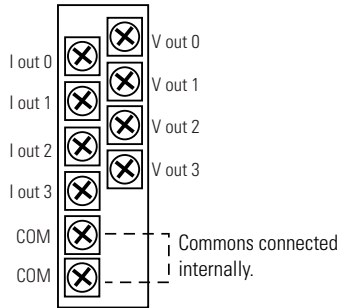
## Output Type Selection

The output type selection, current or voltage, is made by wiring the appropriate terminals, I<sub>out</sub> or V<sub>out</sub>, *and* by the input type/range selection bits in the Configuration Data File (see page 19).

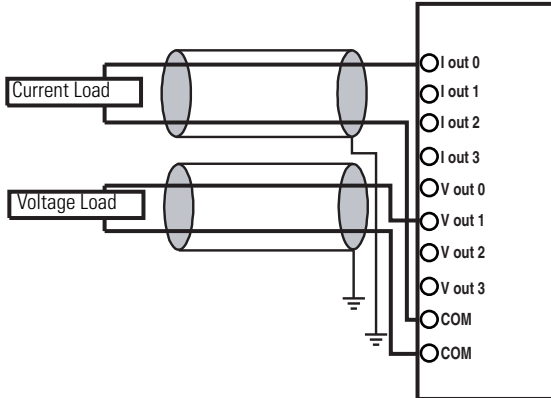
## Output Wiring

Basic wiring of input devices to the 1762-OF4 is shown below.

## Terminal Block Layout



## Differential Sensor Transmitter Types



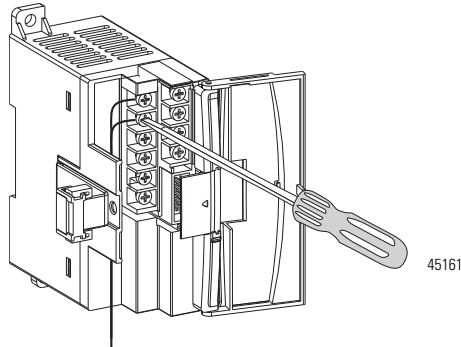
### TIP

Grounding the cable shield at the module end only usually provides sufficient noise immunity. However, for best cable shield performance, earth ground the shield at both ends, using a 0.01  $\mu\text{F}$  capacitor at one end to block AC power ground currents, if necessary.

## Ground the Module

This product is intended to be mounted to a well-grounded mounting surface such as a metal panel. Additional grounding connections from the module's mounting tabs or DIN rail (if used) are not required unless the mounting surface cannot be grounded. Refer to Industrial Automation Wiring and Grounding Guidelines, Allen-Bradley publication 1770-4.1, for additional information.

## Wiring the Finger-Safe Terminal Block



### ATTENTION



Be careful when stripping wires. Wire fragments that fall into a module could cause damage when power is applied. Once wiring is complete, ensure the module is free of all metal fragments.

When wiring the terminal block, keep the finger-safe cover in place.

1. Route the wire under the terminal pressure plate. You can use the stripped end of the wire or a spade lug. The terminals will accept a 6.35 mm (0.25 in.) spade lug.
2. Tighten the terminal screw making sure the pressure plate secures the wire. Recommended torque when tightening terminal screws is 0.904 Nm (8 in-lbs).
3. After wiring is complete, remove the debris shield.

### TIP

If you need to remove the finger-safe cover, insert a screw driver into one of the square wiring holes and gently pry the cover off. If you wire the terminal block with the finger-safe cover removed, you will not be able to put it back on the terminal block because the wires will be in the way.

## Wire Size and Terminal Screw Torque

Each terminal accepts up to two wires with the following restrictions:

| Wire Type |                 | Wire Size      | Terminal Screw Torque |
|-----------|-----------------|----------------|-----------------------|
| Solid     | Cu-90°C (194°F) | #14 to #22 AWG | 0.904 Nm (8 in-lbs)   |
| Stranded  | Cu-90°C (194°F) | #16 to #22 AWG | 0.904 Nm (8 in-lbs)   |

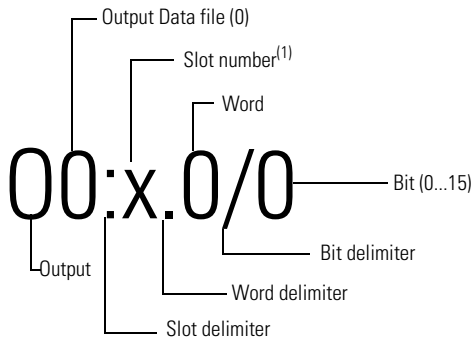


## Labeling the Terminals

A write-on label is provided with the module. Mark the identification of each terminal with permanent ink, and slide the label back into the door.

## 1762 Expansion I/O Addressing

The addressing scheme for 1762 Expansion I/O is represented in the following figure.



<sup>(1)</sup> I/O located on the controller (embedded I/O) is slot 0. I/O added to the controller (expansion I/O) begins with slot 1.

## Input Data File

For each module, slot x, words 0 and 1 contain the analog output module status data for use in the control program.

| Word | Bit Position |    |    |    |    |    |   |   |     |     |     |     |     |     |     |     |
|------|--------------|----|----|----|----|----|---|---|-----|-----|-----|-----|-----|-----|-----|-----|
|      | 15           | 14 | 13 | 12 | 11 | 10 | 9 | 8 | 7   | 6   | 5   | 4   | 3   | 2   | 1   | 0   |
| 0    | Reserved     |    |    |    |    |    |   |   |     |     |     |     | S03 | S02 | S01 | S00 |
| 1    | Reserved     |    |    |    |    |    |   |   | U00 | 000 | U01 | 001 | U02 | 002 | U03 | 003 |

The bits are defined as follows:

- SOx = General status bits for output channels 0 through 3. This bit is set when an error (over- or under-range) exists for that channel, or there is a general module hardware error.
- O0x = Over-range flag bits for output channels 0 through 3. These bits indicate an input signal above the user range and can be used in the control program for error detection. The module continues to convert analog data to the maximum full range value while this bit is set (1). The bit is reset (0) when the error clears.
- U0x = Under-range flag bits for output channels 0 through 3. These bits indicate an input signal below the user range. They can be used in the control program for error detection. The module continues to convert analog data to the minimum full range value while this bit is set (1). The bit is reset (0) when the error clears.

## Output Data File

For each module, slot x, words 0 through 3 contain the channel output data.

### Raw/Proportional Format

| Word | Bit Position |                            |    |    |    |    |   |   |   |   |   |   |   |   |   |   |
|------|--------------|----------------------------|----|----|----|----|---|---|---|---|---|---|---|---|---|---|
|      | 15           | 14                         | 13 | 12 | 11 | 10 | 9 | 8 | 7 | 6 | 5 | 4 | 3 | 2 | 1 | 0 |
| 0    | 0            | Channel 0 Data 0 to 32,760 |    |    |    |    |   |   |   |   |   |   |   | 0 | 0 | 0 |
| 1    | 0            | Channel 1 Data 0 to 32,760 |    |    |    |    |   |   |   |   |   |   |   | 0 | 0 | 0 |
| 2    | 0            | Channel 2 Data 0 to 32,760 |    |    |    |    |   |   |   |   |   |   |   | 0 | 0 | 0 |
| 3    | 0            | Channel 3 Data 0 to 32,760 |    |    |    |    |   |   |   |   |   |   |   | 0 | 0 | 0 |

Words 0 through 3 contain the analog output data for channels 0 through 3, respectively. The module ignores the “don’t care” bits (0 through 2), but checks the sign bit (15). If bit 15 equals 1, the module sets the output value to 0V or 0 mA.

### Scaled-for-PID Format

| Word | Bit Position |    |                            |    |    |    |   |   |   |   |   |   |   |   |   |   |
|------|--------------|----|----------------------------|----|----|----|---|---|---|---|---|---|---|---|---|---|
|      | 15           | 14 | 13                         | 12 | 11 | 10 | 9 | 8 | 7 | 6 | 5 | 4 | 3 | 2 | 1 | 0 |
| 0    | 0            | 0  | Channel 0 Data 0 to 16,380 |    |    |    |   |   |   |   |   |   |   |   | 0 | 0 |
| 1    | 0            | 0  | Channel 1 Data 0 to 16,380 |    |    |    |   |   |   |   |   |   |   |   | 0 | 0 |
| 2    | 0            | 0  | Channel 2 Data 0 to 16,380 |    |    |    |   |   |   |   |   |   |   |   | 0 | 0 |
| 3    | 0            | 0  | Channel 3 Data 0 to 16,380 |    |    |    |   |   |   |   |   |   |   |   | 0 | 0 |

Words 0 through 3 contain the analog output data for channels 0 through 3, respectively. The module ignores the “don’t care” bits (0 and 1), but checks the sign bit (15), and bit 14. If bit 15 equals 1, the module sets the output value to 0V or 0 mA. If bit 15 equals zero and bit 14 equals 1, the module sets the output value to 10.5V dc or 21 mA.

### Configuration Data File

The configuration of the format for analog outputs is made at going to run (GTR). Changes made to the configuration file while in run mode have no effect on the outputs.

The configuration table for analog outputs is shown in the Configuration Data File table.

**Configuration Data File**

| Word | Bit Position |                              |    |    |                                    |    |   |   |          |   |   |   |   |   |   |   |
|------|--------------|------------------------------|----|----|------------------------------------|----|---|---|----------|---|---|---|---|---|---|---|
|      | 15           | 14                           | 13 | 12 | 11                                 | 10 | 9 | 8 | 7        | 6 | 5 | 4 | 3 | 2 | 1 | 0 |
| 0    | reserved     | Data Format Output Channel 0 |    |    | Type/Range Select Output Channel 0 |    |   |   | reserved |   |   |   |   |   |   |   |
| 1    |              | Data Format Output Channel 1 |    |    | Type/Range Select Output Channel 1 |    |   |   | reserved |   |   |   |   |   |   |   |
| 2    |              | Data Format Output Channel 2 |    |    | Type/Range Select Output Channel 2 |    |   |   | reserved |   |   |   |   |   |   |   |
| 3    |              | Data Format Output Channel 3 |    |    | Type/Range Select Output Channel 3 |    |   |   | reserved |   |   |   |   |   |   |   |
| 4    | reserved     |                              |    |    |                                    |    |   |   |          |   |   |   |   |   |   |   |
| 5    | reserved     |                              |    |    |                                    |    |   |   |          |   |   |   |   |   |   |   |
| 6    | reserved     |                              |    |    |                                    |    |   |   |          |   |   |   |   |   |   |   |
| 7    | reserved     |                              |    |    |                                    |    |   |   |          |   |   |   |   |   |   |   |

*Bit 15 and Bits 7 through 0 - Reserved*

These bits are reserved and are not checked by the module.

*Data Format (Bits 14 through 12)*

These bits indicate the format of the data as shown in the following table. Other combinations of these bits are not supported and result in an error.

| Bit Settings |    |    | Data Format      |
|--------------|----|----|------------------|
| 14           | 13 | 12 |                  |
| 0            | 0  | 0  | Raw/Proportional |
| 0            | 1  | 0  | Scaled for PID   |
| other        |    |    | Not Supported    |

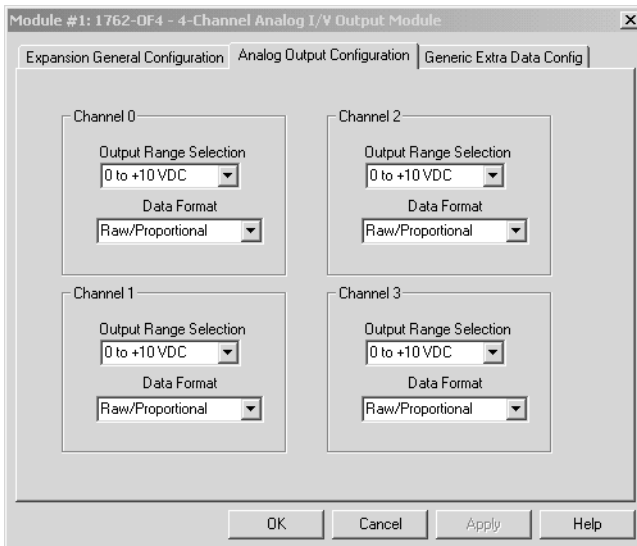
*Type/Range Select (Bits 11 through 8)*

These bits indicate the type and range as in the following table. Other combinations of these bits are not supported and result in an error.

| Bit Settings |    |   |   | Data Format              |
|--------------|----|---|---|--------------------------|
| 11           | 10 | 9 | 8 |                          |
| 0            | 0  | 0 | 0 | Voltage Mode 0 to 10V dc |
| 0            | 0  | 1 | 1 | Current Mode 4 to 20 mA  |
| other        |    |   |   | Not Supported            |

*Configuration via RSLogix 500*

The module can be configured using RSLogix 500 programming software, as shown below.



## Specifications

### Output

| Attribute   | Value   |
|---|---|
| Number of outputs   | 4 single-ended (unipolar)   |
| D/A converter type  | R-2R Ladder Voltage Switching   |
| Module update time  | 2.5 ms  |
| Resistive load on current output                                  | 0 ... 500 $\Omega$ (includes wire resistance)   |
| Load range on voltage output                                      | > 1K $\Omega$   |
| Reactive load, current output                                     | < 0.1 mH  |
| Reactive load, voltage output                                     | < 1 $\mu$ F   |
| Typical overall accuracy <sup>(1)</sup>                           | $\pm$ 1.17% full scale at -20 °C...65 °C (-4 °F...149 °F)<br>$\pm$ 0.5% full scale at 25 °C (77 °F) |
| Output ripple<br>range 0 ... 500 Hz<br>(referred to output range) | < $\pm$ 0.1%  |
| Non-linearity (in percent full scale)                             | < $\pm$ 0.59%   |
| Open and short-circuit protection                                 | Continuous  |
| Output protection   | $\pm$ 32 mA   |

<sup>(1)</sup> Includes offset, gain, non-linearity and repeatability error terms.

### General

| Attribute                                    | Value   |
|--|---|
| Dimensions<br>HxWxD                          | 90 x 40.4 x 87 mm<br>(3.54 x 1.59 x 3.43 in.)   |
| Approximate shipping<br>weight (with carton) | 235 g (8.28 oz)                                 |
| Bus current draw, max                        | 40 mA at 5V DC<br>165 mA at 24V DC              |
| Analog normal operating<br>range             | Voltage: 0 ... 10V DC<br>Current: 4 ... 20 mA   |
| Full scale <sup>(1)</sup> analog ranges      | Voltage: 0 ... 10.5V DC<br>Current: 0 ... 21 mA |

**General**

| <b>Attribute</b>                 | <b>Value</b>  |
|----------------------------------|---|
| Resolution                       | 12 bits (unipolar)  |
| Repeatability <sup>(2)</sup>     | ±0.12%  |
| Output group to system isolation | 30V AC/30V DC rated working voltage <sup>(4)</sup><br>(IEC Class 2 reinforced insulation)<br>type test: 500V AC or 707V DC for 1 minute |
| Module power LED                 | On: indicates power is applied.   |
| Recommended cable                | Belden 8761 (shielded)  |
| Heat Dissipation                 | 2.8 W   |
| Wiring category <sup>(3)</sup>   | 2 - on signal ports   |
| Pilot duty rating                | Not rated   |
| Enclosure type rating            | IP20  |
| North American temp code         | T3C   |
| Vendor ID code                   | 1   |
| Product type code                | 10  |
| Product code                     | 66  |

- <sup>(1)</sup> The over- or under-range flag comes on when the normal operating range (over/under) is exceeded. The module continues to convert the analog output up to the maximum full scale range.
- <sup>(2)</sup> Repeatability is the ability of the output module to reproduce output reading when the same controller value is applied to it consecutively, under the same conditions and in the same direction.
- <sup>(3)</sup> Use this Conductor Category information for planning conductor routing. Refer to Industrial Automation Wiring and Grounding Guidelines, publication [1770-4.1](#).
- <sup>(4)</sup> Rated working voltage is the maximum continuous voltage that can be applied at the terminals with respect to earth ground.

**Environmental**

| Attribute                | Value   |
|--------------------------|---|
| Temperature, operating   | IEC 60068-2-1 (Test Ad, Operating Cold),<br>IEC 60068-2-2 (Test Bd, Operating Dry Heat),<br>IEC 60068-2-14 (Test Nb, Operating Thermal Shock):<br>-20... 65 °C (-4...149 °F)  |
| Temperature, storage     | IEC 60068-2-1 (Test Ab, Unpackaged Non-operating Cold),<br>IEC 60068-2-2 (Test Bb, Unpackaged Non-operating Dry Heat),<br>IEC 60068-2-14 (Test Na, Unpackaged Non-operating Thermal Shock):<br>-40...85 °C (-40...185 °F) |
| Relative humidity        | IEC 60068-2-30 (Test Db, Unpackaged Damp Heat):<br>5...95% non-condensing   |
| Vibration                | IEC 60068-2-6 (Test Fc, Operating):<br>5 g @ 10... 500 Hz   |
| Altitude, operating max  | 2000 m (6562 ft)  |
| Shock, operating         | IEC 60068-2-27 (Test Ea, Unpackaged Shock):<br>30 g   |
| Shock, nonoperating      | IEC 60068-2-27 (Test Ea, Unpackaged Shock):<br>Panel mount - 50 g<br>DIN mount - 40 g   |
| Emissions                | CISPR 11<br>Group 1, Class A  |
| ESD immunity             | IEC 61000-4-2:<br>4 kV contact discharges<br>8 kV air discharges<br>4 kV indirect   |
| Radiated RF immunity     | IEC 61000-4-3:<br>10V/m with 1 kHz sine-wave 80% AM from 80...2700 MHz  |
| EFT/B immunity           | IEC 61000-4-4:<br>±2 kV at 5 kHz on signal ports  |
| Surge transient immunity | IEC 61000-4-5:<br>±1 kV shielded line-earth (CM) on signal ports  |
| Conducted RF immunity    | IEC 61000-4-6:<br>10V rms with 1 kHz sine-wave 80% AM from 150 kHz...80 MHz   |



**Certifications**

| <b>Certification (when product is marked)<sup>(1)</sup></b> | <b>Value</b>   |
|---|--|
| c-UL-us   | UL Listed Industrial Control Equipment, certified for US and Canada.<br>See UL File E337454.<br><br>UL Listed for Class I, Division 2 Group A,B,C,D Hazardous Locations, certified for U.S. and Canada. See UL File E337455.                                   |
| CE  | European Union 2004/108/EC EMC Directive, compliant with:<br>EN 61326-1; Meas./Control/Lab., Industrial Requirements<br>EN 61000-6-2; Industrial Immunity<br>EN 61000-6-4; Industrial Emissions<br>EN 61131-2; Programmable Controllers (Clause 8, Zone A & B) |
| C-Tick  | Australian Radiocommunications Act, compliant with:<br>AS/NZS CISPR 11; Industrial Emissions   |

<sup>(1)</sup> See the Product Certification link at <http://www.ab.com> for Declaration of Conformity, Certificates, and other certification details.





# Rockwell Automation Support

Rockwell Automation provides technical information on the Web to assist you in using its products. At <http://support.rockwellautomation.com>, you can find technical manuals, a knowledge base of FAQs, technical and application notes, sample code and links to software service packs, and a MySupport feature that you can customize to make the best use of these tools.

For an additional level of technical phone support for installation, configuration and troubleshooting, we offer TechConnect support programs. For more information, contact your local distributor or Rockwell Automation representative, or visit <http://support.rockwellautomation.com>.

## Installation Assistance

If you experience a problem with a hardware module within the first 24 hours of installation, please review the information that's contained in this manual. You can also contact a special Customer Support number for initial help in getting your module up and running:

|                       |  |
|-----------------------|--|
| United States         | 1.440.646.3434 Monday – Friday, 8am – 5pm EST  |
| Outside United States | Please contact your local Rockwell Automation representative for any technical support issues. |

## New Product Satisfaction Return

Rockwell Automation tests all of its products to ensure that they are fully operational when shipped from the manufacturing facility. However, if your product is not functioning and needs to be returned, follow these procedures.

|                       |   |
|-----------------------|---|
| United States         | Contact your distributor. You must provide a Customer Support case number (see phone number above to obtain one) to your distributor in order to complete the return process. |
| Outside United States | Please contact your local Rockwell Automation representative for return procedure.  |

Allen-Bradley, Rockwell Automation, MicroLogix, and TechConnect are trademarks of Rockwell Automation, Inc. Trademarks not belonging to Rockwell Automation are property of their respective companies.

[www.rockwellautomation.com](http://www.rockwellautomation.com)

### Power, Control and Information Solutions Headquarters

Americas: Rockwell Automation, 1201 South Second Street, Milwaukee, WI 53204-2496 USA, Tel: (1) 414.382.2000, Fax: (1) 414.382.4444

Europe/Middle East/Africa: Rockwell Automation, Vorstlaan/Boulevard du Souverain 36, 1170 Brussels, Belgium, Tel: (32) 2 663 0600, Fax: (32) 2 663 0640

Asia Pacific: Rockwell Automation, Level 14, Core F, Cyberport 3, 100 Cyberport Road, Hong Kong, Tel: (852) 2887 4788, Fax: (852) 2508 1846

Publication 1762-IN016C-EN-P - March 2011

Supersedes Publication 1762-IN016B-EN-P - December 2005

40072-120-01(3)

Copyright © 2011 Rockwell Automation, Inc. All rights reserved. Printed in Malaysia.

