

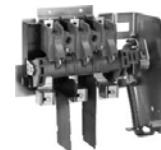


BULLETIN 1494V VARIABLE DEPTH FLANGE-MOUNTED DISCONNECT SWITCHES

Bulletin 1494V – Variable-Depth Flange-Mounted Disconnect Switches

Industrial rated disconnect switch for use in flange constructed enclosures up to 24 in. deep.

- 3 pole, 600V AC rating
- 30...600 A ratings
- Can accommodate Class E, H, J, and R fuses
- Available in fusible and non-fusible versions
- Complete kits with accessories
- Accessories field installed
- NFPA 79 compliant – Disconnect switch linked to the handle at all times
- Visible blade construction for safety
- Can be used with enclosure Types 1, 3R, 4, 4X, and 12
- Lockable handle in OFF and ON positions



*Bul. 1494V
Disconnect Switch – 30...400 A
(Handle & connecting rod
not shown)*



*Bul. 1494V
Disconnect Switch – 600 A
(Handle & connecting rod
not shown)*

Standards Compliance and Certifications

Standards Compliance

UL 98
CSA C22.2 No. 4

Certifications

cULus Listed (File No. E47426, Guide No. WHTY, WHTY7)
CE Certified

Catalog Number Explanation

Configuration of a Disconnect Switch

The information below is for reference purposes. Not all combinations will produce a valid Cat. No. Refer to the tables on the following pages for product selection.

1494V - DR 233 - A - B - FF
 a b c d

a	b	c	d
Disconnect Switch	Fusing	Switch and Fuse Rating	Accessories (Field Installed)
	30...600 A Switch with Right-Hand Mechanism§	Non-Fusible	Code Description

Code	Description
1494V	Variable-Depth Flange mounted

Code	Description
DN	Non-fusible
DH	Class H fuse clips
DJ	Class J fuse clips
DR	Class R fuse clips
30...400 A Switch with Left-Hand Mechanism	
Code	Description
DNX	Non-fusible
DHX	Class H fuse clips
DJX	Class J fuse clips
DRX	Class R fuse clips

Code	Description
30	30 A switch
60	60 A switch
100	100 A switch
200	200 A switch
400	400 A switch
600	600 A switch
Fusible	
233	250V; 30 A switch, 30 A clips
236	250V; 30 A switch, 60 A clips
263	250V; 60 A switch, 30 A clips
266	250V; 60 A switch, 60 A clips
261	250V; 60 A switch, 100 A clips
216	250V; 100 A switch, 60 A clips
211	250V; 100 A switch, 100 A clips
212	250V; 100 A switch, 200 A clips
221	250V; 200 A switch, 100 A clips
222	250V; 200 A switch, 200 A clips
224	250V; 200 A switch, 400 A clips
242	250V; 400 A switch, 200 A clips
244	250V; 400 A switch, 400 A clips
204	250V; 600 A switch, 400 A clips
206	250V; 600 A switch, 600 A clips
633	600V; 30 A switch, 30 A clips
636	600V; 30 A switch, 60 A clips
663	600V; 60 A switch, 30 A clips
666	600V; 60 A switch, 60 A clips
661	600V; 60 A switch, 100 A clips
616	600V; 100 A switch, 60 A clips

A	Long connecting rod
B	Stainless steel handle
C	Non-metallic handle
D	Standard size line & load lugs†
D1	Oversized line & load lugs†
E	Protective fuse cover
F	(1) N.O. auxiliary contact↵
FF	(2) N.O. auxiliary contacts↵
G	(1) N.C. auxiliary contact↵
GG	(2) N.C. auxiliary contacts↵
H	(1) N.O. and N.C. electrical interlock
HH	(2) N.O. and N.C. electrical interlock

611	600V; 100 A switch, 100 A clips
612	600V; 100 A switch, 200 A clips
621	600V; 200 A switch, 100 A clips
622	600V; 200 A switch, 200 A clips
624	600V; 200 A switch, 400 A clips
642	600V, 400 A switch, 200 A clips
644	600V; 400 A switch, 400 A clips
604	600V; 600 A switch, 400 A clips
606	600V; 600 A switch, 600 A clips

‡ Only available for 60...600 A switches (lugs included with 30 A switch as standard)

↪ Maximum of (2) auxiliary contacts

T Only available for 200 & 400 A switch

§ 600 A switch convertible to left-hand operation in the field

Product Selection

Fusible and Non-Fusible Disconnect Switch Kits

- Non-fusible disconnect switch kit includes: switch, connecting rod, and metal handle.
- Fusible disconnect switch kit includes: switch, connecting rod, metal handle, trailer fuse block, and fuse clips.
- Optional kit accessories listed on the following pages can be added to the disconnect switch kits to create (1) cat. no.
Example: Cat. No. 1494V-DR233-A-B-F.

Complete Disconnect Switch Kits for Type 1, 3R, 4, and 12 Metal Enclosures

Cont. Current Rating [A] 600V AC 250V DC	UL and CSA Applications Maximum HP					AC 1-Phase		DC↪		IEC Applications Maximum kW (AC23)			Fuse Clip Rating [A]		Fuse Class	Switch w Right-Har
	3-Phase, 60 Hz					115V	230V	125V	250V	3-Phase, 50 Hz			250V	600V		Fusible Disconne Switch Ki
	115V	200... 208V	230V	460V	575V					220... 240V	380... 440V	500... 600V			Cat. No.	
30	3	7.5	7.5	15	20	2	3	3	5	5.5	11	15	30	—	H	1494V-DH2:
													30	—	R	1494V-DR2:
													30	—	J	1494V-DJ2:
													—	30	H	1494V-DH6:
													—	30	R	1494V-DR6:
													—	30	J	1494V-DJ6:
													60	—	H	1494V-DH2:
													60	—	R	1494V-DR2:
													60	—	J	1494V-DJ2:
													—	60	H	1494V-DH6:

														—	60	R	1494V-DR6:
														—	60	J	1494V-DJ6:
60	7.5	15	15	30	50	3	10	5	10	11	22	37	30	—	H	1494V-DH2:	
													30	—	R	1494V-DR2:	
													30	—	J	1494V-DJ2:	
													—	30	H	1494V-DH6:	
													—	30	R	1494V-DR6:	
													—	30	J	1494V-DJ6:	
													60	—	H	1494V-DH2:	
													60	—	R	1494V-DR2:	
													60	—	J	1494V-DJ2:	
													—	60	H	1494V-DH6:	
													—	60	R	1494V-DR6:	
													—	60	J	1494V-DJ6:	
													100	100	H	1494V-DH6:	
													100	100	R	1494V-DR6:	
													100	100	J	1494V-DJ6:	
100	—	25	30	60	75	—	—	—	20	22	45	55	60	—	H	1494V-DH2:	
													60	—	R	1494V-DR2:	
													60	—	J	1494V-DJ2:	
													—	60	H	1494V-DH6:	
													—	60	R	1494V-DR6:	
													—	60	J	1494V-DJ6:	
													100	—	H	1494V-DH2:	
													100	—	R	1494V-DR2:	
													100	—	J	1494V-DJ2:	
													—	100	H	1494V-DH6:	
													—	100	R	1494V-DR6:	
													—	100	J	1494V-DJ6:	
													—	200	J	1494V-DJ6:	
200	—	50...60	60	125	150	—	—	—	40	48	90	110	100	—	H	1494V-DH2:	
													100	—	R	1494V-DR2:	
													100	—	J	1494V-DJ2:	
													—	100	H	1494V-DH6:	
													—	100	R	1494V-DR6:	
													—	100	J	1494V-DJ6:	
													200	—	H	1494V-DH2:	
													200	—	R	1494V-DR2:	
													200	—	J	1494V-DJ2:	
													—	200	H	1494V-DH6:	
													—	200	R	1494V-DR6:	
													—	200	J	1494V-DJ6:	
													—	400	J	1494V-DJ6:	
400	—	75	125	250	350	—	—	—	50	90	185	257	200	—	H	1494V-DH2:	

														200	—	R	1494V-DR2 [‡]
														200	—	J	1494V-DJ24
														—	200	H	1494V-DH6 [‡]
														—	200	R	1494V-DR6 [‡]
														—	200	J	1494V-DJ64
														400	—	H	1494V-DH2 [‡]
														400	—	R	1494V-DR2 [‡]
														400	—	J	1494V-DJ24
														—	400	H	1494V-DH6 [‡]
														—	400	R	1494V-DR6 [‡]
														—	400	J	1494V-DJ64
														400	—	H	1494V-DH2 [‡]
														400	—	R	1494V-DR2 [‡]
														400	—	J	1494V-DJ2 [‡]
														—	400	H	1494V-DH6 [‡]
														—	400	R	1494V-DR6 [‡]
														—	400	J	1494V-DJ6 [‡]
														600	—	H	1494V-DH2 [‡]
														600	—	R	1494V-DR2 [‡]
														600	—	J	1494V-DJ2 [‡]
														—	600	H	1494V-DH6 [‡]
														—	600	R	1494V-DR6 [‡]
														—	600	J	T 1494V-I
600	—	150	200	400	500	—	—	—	50	150	295	375					

– Ratings based on utilizing two poles in series to break one line of the DC supply voltage and the remaining pole breaking the second DC supply line.

T Class J fuses bolt directly to the switch and trailer fuse block.

‡ Class J fuses can be installed on Class H fuse clips. However, when selecting a fuse cover (option code E), select the proper clip (Class H, J, or R) in or No. 1494V-DH233-E becomes Cat. No. 1494V-DJ233-E or Cat. No. 1494V-DR233-E.

§ Switch can be converted in the field for left-hand operation.

Kit Accessories

Bulletin 1494V Kit Accessories – Field Installed									
Description	Suffix Code		Switch Size						
			30 A	60 A	100 A	200 A	400 A	600 A	
Longer connecting rod (9-1/2...23 in.)	A		A	A	A	A	A	A	A
Disconnect handle – Stainless steel	Ø	B	A	A	A	A	A	A	A
Disconnect handle – Non-metallic	Ø	C	A	A	A	A	—	—	—
Standard size wire connecting lugs – Line and load side	D		Included	A	A	A	A	A	A
Oversize wire connecting lugs – Line and load side	D1		—	—	—	A	A	—	—
Protective fuse cover with door	§	E	A	A	A	A	A	A	A
Auxiliary contact	1 N.O.		F	A	A	A	A	A	A
	2 N.O.		FF	A	A	A	A	A	A
	1 N.C.		G	A	A	A	A	A	A

	2 N.C.	GG	A	A	A	A	A	A
Electrical interlock (Early break)	1 N.O. & 1 N.C.	H	A	A	A	A	A	A
	2 N.O. & 2 N.C.	HH	A	A	A	A	A	A

Ø Metal disconnect handle provided as standard. For stainless steel handle, select suffix code B. For non-metallic handle, select suffix code C.

§ Select the proper fuse clip (Class J, H, or R) in order to receive the correct size fuse cover.
Example: Cat. Nos. 1494V-DH233-E, 1494V-DJ233-E, or 1494V-DR233-E.

Disconnect Switches

Continuous Current Rating [A] 600V AC 250V DC	NEMA, UL, CSA Maximum Rating Hp				AC 1-Phase		DCT	IEC Utilization Category AC-23 Maximum Rating kW			Switch with Right-Hand Mechanism	Switch with Left-Hand Mechanism	
	3-Phase, 60 Hz				115	230		250	3-Phase, 50 Hz				
	200...208V	230V	460V	575V					220...240V	380...440V			500...600V
30	7.5	7.5	15	20	2	3	5	5.5	11	15	1494V-DS30	1494V-DSX30	
60	15	15	30	50	3	10	10	11	22	37	1494V-DS60	1494V-DSX60	
100	25	30	60	75	—	—	20	22	45	55	1494V-DS100	1494V-DSX100	
200	50...60	60	125	150	—	—	40	48	90	110	1494V-DS200	1494V-DSX200	
400	75	125	250	350	—	—	50	90	185	257	1494V-DS400	1494V-DSX400	
600	150	200	400	500	—	—	50	150	295	375	1494V-DS600	§ 1494V-D	

T Ratings based on utilizing two poles in series to break one line of the DC supply voltage and the remaining pole breaking the second DC supply line.

§ Switch can be converted in the field for left-hand operation.

Connecting Rods

Dimensions are in inches (millimeters). Approximate dimensions are not intended for manufacturing purposes.

Disconnect Switch Size [A]	Enclosure Depth§		Cat. No.
	Minimum	Maximum	
30, 60, 100, 200	6-3/4 (172)	9-1/8 (232)	1494V-RA3
	6-3/4 (172)	21-5/8 (549)	1494V-RA4
400, 600	9-1/2 (241)	10 (254)	Ø 1494V-RB3
	9-1/2 (241)	23 (584)	Ø 1494V-RB4

§ Enclosure depth is measured from the top of the flange to the disconnect switch mounting surface (mm).

Ø Kit includes two connecting rods.

Operating Handles

Handle Type	Description	Mounting	Disconnect Switch Size [A]	Cat. No.
Type 1, 3R, 4, 4X, 12	Nonmetallic	Right or Left Flange	30, 60, 100, 200	1494F-P1
Type 1, 3R, 4, 12	Painted Metal	Right or Left Flange	30, 60, 100, 200	1494F-M1

			400, 600	1494F-M2
Type 4, 4X	Stainless Steel	Right or Left Flange	30, 60, 100, 200	1494F-S1
			400, 600	1494F-S2

Trailer Fuse Block Kits

For Class H, J, or R fuses, select the proper fuse clip kit from the table below.

Disconnect Switch Size [A]	Cat. No.	
30	1494V-FS30	
60	1494V-FS60	
100	1494V-FS100	
200	v	1494V-FS200
400	1494V-FS400	
600 — 600 A Class J fuse	1494-FS600	
600 — 400 A Class H, J, and R fuse	1494V-FSV400	
600 — 600 A Class H fuse	a	1491-N621
600 — 600 A Class R fuse	a	1491-R621

v When installing 400 A Class J fuses, use adapter kit (Cat. No. 1401-N171).

a Separately mounted fuse blocks (3 required).

Fuse Clip Kits

- Includes six clips and mounting hardware

Fuse Class	Fuse Clip Rating [A]		For Use With	Cat. No.
	250V	600V		
H	30	—	1494C, 1494F, 1494G, 1494M, 1494V Disconnect Switches	1401-N41
	60	30		1401-N42
	—	60		1401-N43
	100	100		1401-N44
	200	200		1401-N45
	400	400		1401-N46
	600	600		11
J	30	30	1401-N42	
	60	60	1401-N43	
	100	100	1401-N44	
	200	200	1401-N45	
	400	400	1401-N46	
	600	600	a	
R	30	—	1401-N50	
	60	30	1401-N51	

—	60
100	100
200	200
400	400
600	600



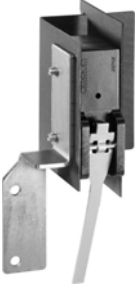

1401-N52
1401-N53
1401-N54
1401-N55
11

^a Fuse clips not required: fuse bolts directly to terminal.

¹¹Included with Bulletin 1491 separately mounted fuse blocks.

Accessories


Image		Description	For Use With	Cat. No.			
		Auxiliary Contacts	1 N.O. Contact	1494C, 1494F, 1494V, and 1494G (30...400 A) Disconnect Switches	1495-N8		
			1 N.O. Contact (low energy)		1495-N8X		
			1 N.C. Contact		1494D, 1494V ¹¹ (125...400 A Frame) Circuit Breakers	1495-N9	
			1 N.C. Contact (low energy)			1495-N9X	
		Auxiliary Contacts (600 A Disconnect Switch only)	1 N.O. Contact	1494C, 1494G, and 1494V Disconnect Switches 600 A only	595-A		
			1 N.C. Contact		595-B		
		Auxiliary Contact Adapter Kit For Disconnect Switches	600 A		T	595-N1	
		Auxiliary Contact Adapter Kit For Disconnect Switches with Left-Hand Mechanism	30...100 A Disconnect Switch	1494V Disconnect Switch with Left-Hand Mechanism, 30...100 A	T	1495-N24	
Cat. No. 1495-N24			200 A Disconnect Switch	1494V Disconnect Switch with Left-Hand Mechanism, 200...400 A	T	1495-N25	
		Auxiliary Contact Adapter Kit For Circuit Breakers	125 A and 150 A Frame Allen-Bradley, Cutler-Hammer	1494D, 1494V Circuit Breakers	T	1495-N21	
			250 A, 400 A Frame Allen-Bradley, Cutler-Hammer	1494V Circuit Breaker	T	1495-N23	
			250 A Frame Allen-Bradley, Cutler-Hammer	1494D Circuit Breaker	T	1495-N22	
			400 A Frame Allen-Bradley, Cutler-Hammer	1494D Circuit Breaker	T	1495-N16	
			600 A, 800 A, 1200 A Frame Cutler-Hammer	1494D Circuit Breaker	T	1495-N13	
Cat. No. 1495-N21	Cat. No. 1495-N23						
		Auxiliary Contacts	1 N.O. Contact	1494R Disconnect Switch 30 A, 60 A	895-A1		



			1 N.C. Contact		895-B1
			1 N.O. and 1 N.C. Contact		895-C1
		Auxiliary Contact Adapter Kit for 1 contact			895-M11
Cat. No. 895-A1	Cat. No. 895-M11	Auxiliary Contact Adapter Kit for 2 contacts			895-M12
		Auxiliary Contacts	1 N.O. Contact	1494R Disconnect Switch 100 A, 200 A	895-A2
			1 N.C. Contact		895-B2
			1 N.O. and 1 N.C. Contact		895-C2
		Auxiliary Contact Adapter Kit for 1 contact			895-M21
Cat. No. 895-A2	Cat. No. 895-M21	Auxiliary Contact Adapter Kit for 2 contacts			895-M22
		Electrical Interlocks	1 N.O. and 1 N.C. — early make/break	1494C, 1494G & 1494V Disconnect Switches with Left-/Right-Hand Mechanism, 30...100 A & Right-Hand Mechanism, 600 A	‡ 1495-N34
			2 N.O. and 2 N.C. — early make/break		‡ 1495-N35
Cat. No. 1495-N34			1 N.O. and 1 N.C. — early make/break	1494C, 1494G, & 1494V Disconnect Switch with Right-Hand Mechanism, 200 A, 400 A	1495-N43
			2 N.O. and 2 N.C. — early make/break		1495-N44
			1 N.O. and 1 N.C. — early make/break	1494C and 1494V Disconnect Switch with Left-Hand Mechanism, 30...100 A	1495-N37
			2 N.O. and 2 N.C. — early make/break		1495-N38
			1 N.O. and 1 N.C. — early make/break	1494V Disconnect Switch with Left-Hand Mechanism, 200 A	1495-N39
			2 N.O. and 2 N.C. — early make/break		1495-N40
			1 N.O. and 1 N.C. — early make/break	1494V Disconnect Switch with Left-Hand Mechanism, 400 A	1495-N41
			2 N.O. and 2 N.C. — early make/break		1495-N42
Cat. No. 1495-N35			10 A DPDT - early break (for 30 A, Type 1 & 3R only)	1494H Safety Switch	1495-N77
			15 A DPDT - early break (for 30 A, Type 12) 15 A DPDT - early break (for all 60 A, 100 A, & 200 A, Type 1, 3R, and 20)		1495-N78
Cat. No. 1495-N35		Electrical Interlock Adapter Kit	600 A Disconnect Switch	1494C, 1494G, 1494V Disconnect Switch	1495-N36

– Requires an adapter kit on new installations.

T One adapter kit enables up to two auxiliary contacts to be installed.

‡ Additional adapter kit (Cat. No. 1495-N36) required for installation on 600 A switch.


	Description		For Use With		Cat. No.	
	Lug Connectors (3 per package)		1494C, 1494F, 1494G, and 1494V Disconnect Switches			
	Disconnect Size [A]	Wire Size				
	30	#14...8 AWG Wire				
	60	#14...4 AWG Wire				
	100	#8...1/0 AWG Wire				
200	#6...4/0 AWG Wire					
	#6...250 MCM Wire (oversized)			–		
				§	1494R-N1	
				§	1494R-N2	
				§	1494R-N3	
				§	199-LF1	


Cat. No. 1494R-N3	400	(2) of #1/0...250 MCM Wire	§	1494R-N14	
		#4 AWG...500 MCM Wire (oversized)	§	1494R-N15	
	600	(2) of #1/0...350 MCM Wire	§	1494R-N10	
		(2) of #1/0...350 MCM Wire	1491-N621 or 1491-R621 600 A fuse blocks	§	1494R-N11
		(1) of #4...500 MCM Wire		§	1494R-N12
 Cat. No. 599-GR1	Ground Connectors		1494C, 1494F, 1494G, and 1494V Disconnect Switches		
	Ground Lug Kits	30...100 A		599-GR1	
		200...400 A		599-GR2	
		600 A		599-GR3	
		30, 60 A	1494H & 1494HL Safety Switches	599-GR4	
	100, 200 A		599-GR5		
 Cat. No. 599-NK1-11	Neutral Kits		1494H Safety Switches		
	30 A @ 250/600V AC Fusible (Type 1 & 3R)			599-NK1	
	30 A @ 250/600V AC Non-Fusible (Type 1 & 3R)			599-NK2	
	30 A @ 250/600V AC Fusible & Non-Fusible (Type 12)			599-NK3	
	60 A @ 250/600V AC Fusible & Non-Fusible (Type 1 & 3R)			599-NK4	
	60 A @ 250/600V AC Fusible (Type 12)			599-NK5	
	60 A @ 250/600V AC Non-Fusible (Type 12)			599-NK6	
	100 A @ 250/600V AC Fusible (Type 1 & 3R)			599-NK7	
	100 A @ 250/600V AC Non-Fusible (Type 1, 3R, and 12)			599-NK8	
	100 A @ 250/600V AC Fusible (Type 12)			599-NK9	
	200 A @ 250/600V AC Fusible & Non-Fusible (Type 1 & 3R)			599-NK10	
200 A @ 250/600V AC Fusible & Non-Fusible (Type 12)			599-NK11		
	Phase Barrier Kits		1494C, 1494F, 1494G, 1494V		
	Disconnect Size [A]				
	30, 60			1494F-PH2	
	100			1494F-PH3	
	200			1494F-PH4	
	400			1494F-PH5	

– All terminals of the 30 A switches are furnished with self-lifting pressure plate connectors as standard.

§ Each kits contains (2) lugs.


§ Each kit contains (3) lugs.

	Description		For Use With		Cat. No.
	Fuse Clips (6 per package)		1494C, 1494F, 1494G, and 1494V Disconnect Switches		
	Fuse Class	Fuse Clip Rating [A]			
		250V	600V		
	H	30	–		1401-N41
		60	30		1401-N42
		–	60		1401-N43
100		100		1401-N44	
200		200		1401-N45	

	400	400		1401-N46
J	30	30	1494C, 1494F, 1494G, and 1494V Disconnect Switches	1401-N42
	60	60		1401-N43
	100	100		1401-N44
	200	200		1401-N45
	400	400		1401-N171
	600	600		1494V-FS600 Fuse Blocks
R	30	—	1494C, 1494F, 1494G, and 1494V Disconnect Switches	1401-N50
	60	30		1401-N51
	—	60		1401-N52
	100	100		1401-N53
	200	200		1401-N54
	400	400		1401-N55
H, R	600	600	1491 Fuse Blocks	‡
 <p>Class R Fuse Clip Kits 30 A @ 250V AC (Type 1, 3R, 12) 30 A @ 600V AC (Type 1, 3R) 30 A @ 600V AC (Type 12) 60 A @ 250V AC (Type 1, 3R, 12) 60 A @ 600V AC (Type 1, 3R, and 12) 100 A @ 250/600V AC (Type 1 & 3R) 100 A @ 250/600V AC (Type 12) 200 A @ 250/600V AC (Type 1, 3R, and 12) 30 A @ 250V AC (Type 1 & 3R) 60 A @ 250V AC (Type 1 & 3R) 100 A @ 250V AC (Type 1 & 3R) 200 A @ 250V AC (Type 1 & 3R)</p>			1494H Safety Switches	1401-N70
				1401-N71
				1401-N72
				1401-N73
				1401-N74
				1401-N75
				1401-N76
				1401-N77
			1494HL Safety Switches	1401-N78
				1401-N79
				1401-N80
				1401-N81

‡ Included with Bulletin 1491 separate mounted fuse blocks. One fuse block kit per pole required.

T Fuse clips not required; fuse bolts directly to terminal.

	Protective Fuse Covers (for use with Bul. 1494C, 1494F, 1494G, and 1494V disconnect switches)				
	Switch Rating [A]	Fuse Class	Fuse Clip Rating [A]		Cat. No.
			250V	600V	
30	Nonfusible	—	—	1495-N64	
30	H, R	30	—		
60	H, R	60	—		
30	J	30	30		
60	J	60	60		
60	Nonfusible	—	—		
100	Nonfusible	—	—		
30	H, R	—	30	1495-N65	
60	H, R	—	60		
100	J	100	100		
100	H, R	100	100	1495-N66	
100	J	200	200		
200	Nonfusible	—	—	∅	
200	H, J, R	200	200		
200	J	400	400		

200 200	Nonfusible H, J, R	— 200	— 200	z	1495-N62
400 400	Nonfusible H, J, R	— 400	— 400	Ø	1495-N68
400 400	Nonfusible H, J, R	— 400	— 400	z	1495-N63
600 600	Nonfusible J	— 600	— 600	Ø	1495-N61
600	H, J, R	600	600	^a	1495-N69



Protective Line Covers (for use with Bul. 1494C, 1494F, 1494G, and 1494V disconnect switches)					
30, 60, 100	—	—	—		1495-N80
200	—	—	—		1495-N81
400	—	—	—		1495-N82
600	—	—	—		1495-N83








Multi-tap Terminal Lug Adapter Kit (for use with Bul. 1494C, 1494F, 1494G, and 1494V disconnect switches)					
30	—	—	—		1494R-N16
60	—	—	—		1494R-N17
100	—	—	—		1494R-N18
200, 400	—	—	—		1494R-N19

Ø Switch with right-hand mechanism.





z Switch with left-hand mechanism.


^a Used with Bulletin 1491-N621 and 1491-R621 on Bulletin 1494V/1494C/1494G.

Description		For Use With	Cat. No.
	Defeater Bracket Extension Kit For use with operating handles that do not align properly with the door catch or door hardware on enclosures with a rolled lip flange construction.	All 1494F and 1494V Handles (except 1494V-R1 and 1494V-R2)	1494V-H12
	Alternate Mounting Kits For use where the flange material thickness is greater than 3/16 in. (4.8 mm).	Operating Handles 1494V-H1 or 1494V-H11	1494V-H3
		Operating Handles 1494V-H2	1494V-H6
	Channel Support Kits For use to prevent flexing of the operating handle mounting surface. This is especially useful when the operating handle is mounted on a channel in a multi-door enclosure.	30..200 A Switches Applies only to Operating Handle Cat. Nos. 1494F-P1, M1, and S1.	1494V-H15
	Conduit Hubs (for Type 3R enclosures) → 19.05 mm (3/4 in.) hub	1494H Safety Switches	1495-N71
	25.4 mm (1 in.) hub		1495-N72
	31.75 mm (1-1/4 in.) hub		1495-N73
	38.1 mm (1-1/2 in.) hub		1495-N74
	50.8 mm (2 in.) hub		1495-N75
	63.5 mm (2-1/2 in.) hub		1495-N76

	Non-Metallic Conduit Connectors		1494G Disconnect Switches	
	1/2 in. (12.7 mm)	30 A		1490-N1
	3/4 in. (19 mm)	30 A		1490-N9
	1 in. (25.4 mm)	30 A		1490-N10
	1-1/4 in. (31.75 mm)	60 A		1490-N11
	1-1/2 in. (38.1 mm)	100 A		1490-N5
	2 in. (50.8 mm)	200 A		1490-N6
	2-1/2 in. (63.5 mm)	200 A		1490-N7
3 in. (76.2 mm)	400...600 A	1490-N8		
	Grounding Adapters			
	#14...10 AWG, 1/2 in. (12.7 mm)	30 A	1490-N19	
	#14...8 AWG, 3/4 in. (19 mm)	30 A	1490-N20	
	#14...8 AWG, 1 in. (24.5 mm)	30 A	1490-N21	
	#14...4 AWG, 1-1/4 in. (31.8 mm)	60 A	1490-N22	
	#8...1/0 AWG, 1-1/2 in. (38.1 mm)	100 A	1490-N23	
	#8...1/0 AWG, 2 in. (50.8 mm)	200 A	1490-N24	
	#6...2/0 AWG, 2-1/2 in. (63.5 mm)	200 A	1490-N25	
#6...4/0 AWG, 3 in. (76.2 mm)	400...600 A	1490-N26		

– Packaged in quantities of 10.

Image		Description	For Use With	Cat. No.§
		Type 12 Door Hardware Kit Includes: handle, cam, defeater actuator lever, rollers, and shims Enclosure Height less than 40 in. (1016 mm) Top and Side (Right Hand)	1494C, All 1494V	1494V-L1↔
		Top and Side (Left Hand)		1494V-LL1↔
		Enclosure Height 40...60 in. (1016...1524 mm) Top and Side (Right Hand) Bottom		1494V-L1↔ and 1494V-L2
		Top and Side (Left Hand) Bottom		1494V-LL1↔ and 1494V-L2
		Enclosure Height greater than 60 in. (1524 mm) Top, Side and Bottom (Right Hand)		1494V-L3↔
Cat. No. 1494V-L2	Cat. No. 1494V-L3	Top, Side and Bottom (Left Hand)		1494V-LL3↔
		Type 12 Door Hardware Kit Includes: Handle, cam, defeater actuator lever, rollers, and shims Enclosure Height less than 30 in. (762 mm) Top and Side (Right Hand)	1494F, 1494D	1494F-L1↔

	Top and Bottom (Right Hand)		1494F-L2↔
	Enclosure Height 30...48 in. (762...1219 mm)		1494F-L2↔ and 1494F-L3
	Top and Bottom (Right Hand) Side		
Cat. No. 1494F-L2 and 1494F-L3	Enclosure Height greater than 48 in. (1219 mm) Top, Side, and Bottom (Right Hand)		1494F-L4†
	Master Door Interlock Kits Interlock kits are designed to provide interlocking between the master and auxiliary doors of the same enclosure and for use with Cat. Nos. 1494F-L4 hardware kits or Cat. No. 1494V-L3 hardware kits. Specify one master door kit and as many auxiliary door kits as necessary (9 maximum). Connecting bars must be supplied by user.	1494C, 1494F, 1494D, 1494V	1494F-N20‡
Cat. No. 1494F-N20	Auxiliary Door Interlock Kit		1494F-N21

↔ Door hardware kit does not include rectangular connecting bars (1/4 x 1/2 in.). To be provided by customer.

† Door hardware kit does not include rectangular connecting bars (1/4 x 5/8 in.). To be provided by customer.

‡ Master door interlock kit does not include rectangular connecting bars (3/8 x 3/8 in.). To be provided by customer.

§ If the Rockwell Automation door hardware kits are to be installed in a commercially available enclosure, consult the enclosure manufacturer's application data for proper kit selection.

Specifications

Bulletin 1494C, 1494F, 1494G, 1494M, 1494R, 1494V Disconnect Switches

Disconnect Switch Electrical Ratings								
Switch Size			30 A	60 A	100 A	200 A	400 A	600 A
Rated insulation voltage Ui (UL) IEC			(600) 660V					
Ratings UL/CSA/NEMA	HP	230V/60 Hz	7.5	15	30	60	125	200
		460V/60 Hz	15	30	60	125	250	400
		575V/60 Hz	20	50	75	150	350	500
		250V DC	5	10	20	40	50	50
	Continuous Current	600V AC 250V DC	30	60	100	200	400	600
Auxiliary Contact Electrical Ratings								
NEMA/EEMAC			B600, P300					
IEC Ratings			Ui 660V		I _{th} 10 A			
			ACII Ux		12...120V 220...240V 380...400V 500...600V		I _e 6 A 3 A 1.5 A 1.2 A	
Mechanical								
Degree of protection		Operating handles		Molded Type 1, 3R, 4, 4X, 12, Painted Type 1, 3R, 4, 12 Stainless Steel Type 4, 4X				
Mechanical life (Typical)			20 000 operations (30...200 A) 10 000 operations (400...600 A)					
Switching frequency (operations/hr)			30, 60, 100, and 200 A sizes — 300 maximum 400 and 600 A size — 240 Maximum					
Environmental								
Temperature		Operating		-35...+40 °C (-31...+104 °F)				
		Storage		-40...+65 °C (-40...+149 °F)				

Altitude (per IEC 947-5)		2000m per IEC 337-1	
Relative Humidity (per IEC 947-3)		90% at 20 °C and 50% at 40 °C	
Design Specification/Test Requirements			
Dielectric strength		2200V for 1 minute	
Electrical life		6000 operations at rated current	
Short Circuit Withstand Capability		10 000 A: unfused	10 000 A: with Class H fuses 200 000 A: with Class J or Class R fuses
Construction			
Switch body material		Phenolic	
Contact material		Copper, tin-plated	
Terminals	30 A 60 A 100 A 200 A 400 A 600 A	#10 - 32 screw and self-lifting pressure plate 1/4 in. - 28 screw-lug, copper 5/16 in. - 24 screw-lug, copper 3/8 in. - 24 screw-lug, copper 3/8 in. - 24 screw and screw-lug, copper 1/2 in. - 13 screw-lug, copper	
All wire rated 75 °C (167 °F) or higher must be sized per the local Electric Code for 75 °C (167 °F) wire.			
Conductor Size (mm ²)	30 A 60 A 100 A 200 A 400 A 600 A	#14...8 AWG (1.5...10 mm ²) #14...4 AWG (2.5...16 mm ²) #8...1/0 AWG (10...50 mm ²) #6...4/0 AWG (16...95 mm ²) 2 of #1/0 AWG...250 MCM (2 per lug) 2 of 185 mm ² ...250 MCM or (1) #4 AWG...500 MCM 2 of #1/0 AWG...350 MCM (2 per lug) 2 of 185 mm ² ...350 MCM or (1) #4 AWG...500 MCM	
Recommended Torque	30 A 60 A 100 A 200 A 400 A 600 A	Conductor into Lug 20 lb•in 45 lb•in 150 lb•in 275 lb•in 325 lb•in 325 lb•in	Lug to Terminal 20 lb•in 50 lb•in 90 lb•in 175 lb•in 175 lb•in 275 lb•in
Switches, Mechanisms, and Accessory Kits		Zinc-plated steel, RoHS Compliant finish	

Bulletin 1494H, 1494HL Disconnect Switches

Disconnect Switch Electrical Ratings						
Switch Size		30 A	60 A	100 A	200 A	
Rated insulation voltage Ui (UL) IEC		(600) 660V				
Ratings UL/CSA/NEMA	Hp	230V/60 Hz	10	20	40	60
		460V/60 Hz	20	50	75	125
		575V/60 Hz	30	60	100	150
		250V DC	5	10	20	40
	Continuous Current	600V AC 250V DC	30	60	100	200
Auxiliary Contact Electrical Ratings						
Continuous Current		10 A	15 A			
Pole Configuration		DPDT	DPDT			
Mechanical						
Degree of protection	Operating handles	Painted Type 1, 3R, 12				
Mechanical life (Typical)		10 000 operations				
Switching frequency (operations/hr)		300 maximum				
Environmental						
Temperature	Operating	-35...+40 °C (-31...+104 °F)				

Storage		-40...+65 °C (-40...+149 °F)
Altitude (per IEC 947-5)		2000m per IEC 337-1
Relative Humidity (per IEC 947-3)		90% at 20 °C and 50% at 40 °C
Design Specification/Test Requirements		
Dielectric strength		2200V for 1 minute
Electrical life		6000 operations at rated current
Short Circuit Withstand Capability		10 000 A: unfused 10 000 A: with Class H fuses 200 000 A: with Class J or Class R fuses (30...100 A) 100 000 A: with Class J or Class R fuses (200 A)
Construction		
Switch body material		Phenolic
Contact material		Copper, tin-plated
Terminals	30 A 60 A 100 A 200 A	#10 - 32 screw and self-lifting pressure plate 1/4 in. - 28 screw-lug, copper 5/16 in. - 24 screw-lug, copper 3/8 in. - 24 screw-lug, copper
All wire rated 75 °C (167 °F) or higher must be sized per the local Electric Code for 75 °C (167 °F) wire.		
Conductor Size (mm ²)	30 A 60 A 100 A 200 A	#14...8 AWG #12...2 AWG #10...1/0 AWG #2...250 MCM AWG
Recommended Torque	30 A 60 A 100 A 200 A	Conductor into Lug 36...40 lb•in 35...45 lb•in 35...50 lb•in 275 lb•in
Mechanisms		Zinc-plated steel, Bronze chromate finish

Bulletin 1494D, 1494V Circuit Breakers

Electrical Ratings							
Frame Size	125 A	150 A	250 A	400 A	600 A	800 A	1200 A
Auxiliary Contacts							
1494V, 1494D							
NEMA/EEMAC	B600, P300						
IEC Ratings	ACII Ux		12...120V 220...240V 380...400V 500...600V		I _e	6 A 3 A 1.5 A 1.2 A	
Maximum Number of Auxiliary Contacts	2						
Mechanical Data							
Mechanical Life (Typical)	10 000						
Construction							
Mechanisms	Zinc-plated steel						
Environmental Data							
Ambient Temperature→	Operating	-20...+40 °C (-4...+104 °F)					
	Storage	-40...+65 °C (-40...+149 °F)					
Altitude (per IEC 947-5)	2000 m per IEC 337-1						
Relative Humidity (per IEC 947-3)	90% @ 20 °C (68 °F), 50% @ 40 °C (104 °F)						

→ Refer to circuit breaker specifications for other limitations.

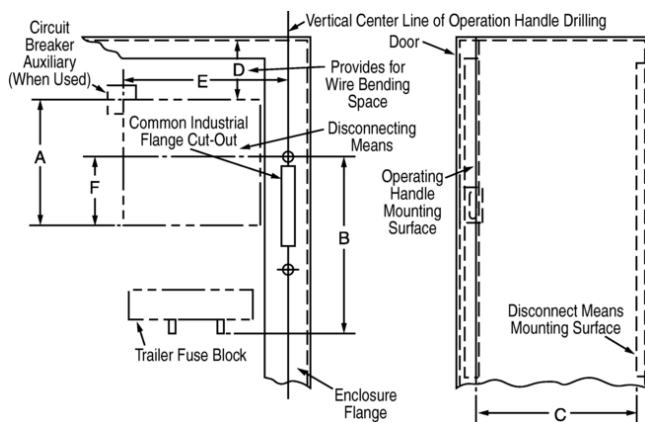
Bulletin 1491 Fuse Blocks

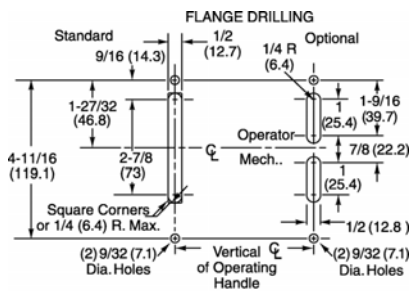
Electrical						
UL Fuse Type		Class H	Class J	Class R	Class C	Class CC
CSA Fuse Type		HRCI-H	HRCI-J	HRCI-R	HRCI-C	HRCI-MISC
Maximum Fuse Cartridge Size		30...600 A	30...600 A	30...600 A	30...600 A	30 A
Maximum Voltage	AC	600V	600V	600V	600V	600V
	DC	250V	250V	250V	250V	250V
Thermal Current Rating		30...600 A	30...600 A	30...600 A	30...600 A	30 A
Maximum Short Circuit Prospective Fault Current		10 kA	200 kA	200 kA	100 kA	200 kA
Construction						
Fuse Clips		Tin-plated copper				
Terminals		Tin-plated copper				
Fuse Block Base		Phenolic or Porcelain				
Environmental						
Ambient Temperature	Open	-20...+55 °C (-4...+131 °F)				
	Enclosed	-20...+40 °C (-4...+104 °F)				
	Storage	-40...+65 °C (-40...+149 °F)				
Altitude (per IEC 947-5)		2000 m				
Relative Humidity (per IEC 947-3)		90% at 20 °C (68 °F) and 50% at 40 °C (104 °F)				

Approximate Dimensions

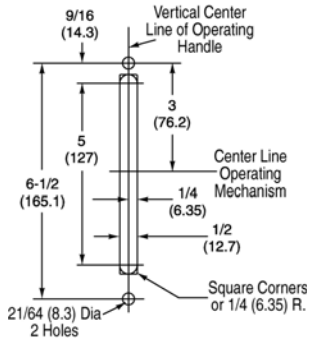
Approximate dimensions are shown in inches (millimeters). Dimensions are not intended to be used for manufacturing purposes.

Bulletin 1494C, 1494V





Flange Cut-Out
Bulletin 1494V – 30...200 A



Flange Cut-Out
Bulletin 1494V – 400...600 A

Disconnect Switches

NEMA Size [A]	A	BT	C		D	E	F
		Max.	Min.	Max.			
30	6-19/64 (160)	7-31/32 (202)	6-3/4 (171)	21-5/8 (549)	2-3/4 (69.9)	7-9/16 (192)	3-7/8 (98.5)
60	6-19/64 (160)	8-15/32 (215)	6-3/4 (171)	21-5/8 (549)	2-9/16 (65.1)	7-9/16 (192)	3-7/8 (98.5)
100	6-19/64 (160)	9-1/8 (231.8)	6-3/4 (171)	21-5/8 (549)	3-37/64 (90.9)	7-9/16 (192)	3-7/8 (98.5)
200	8-5/64 (205.2)	15-9/64 (384.5)	7-3/4 (197)	21-5/8 (549)	6-35/64 (166.3)	8-25/32 (223)	4-21/32 (118)
400	11 (279.4)	18-7/32 (462.7)	9 (229)	21-5/8 (549)	8 (203.2)	10 (254)	5-1/2 (139.7)
600	15-23/32 (399.2)	17-19/32 (446.8)†	9 (229)	21-5/8 (549)	12 (304.8)	11-27/32 (300.8)	8-51/64 (223.3)

– Approximate dimensions are for reference only.
 † This approximate dimension will vary by fuse class and size.
 ‡ Approximate dimension with Class J fuses.

Circuit Breakers

Frame	A	C	D	E	F
-------	---	---	---	---	---

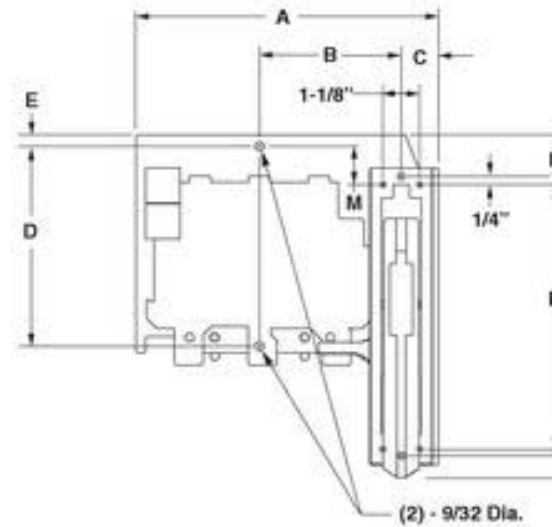
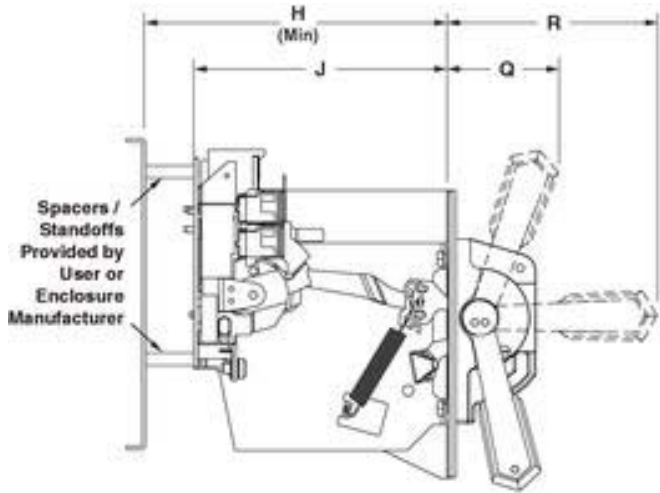
		Min.	Max.			
125A 140U-H, 140M-H, EF, HMCPE 150A EHD, FD, FDB, FDC, HFD, HMCP	6 (152.4)	6-3/4 (171.5)	23 (584.2)	6 (152.4)	5-7/16 (138.1)	5 (127)
250A 140U-J, 140M-J, EF 250A JD, JDB, JDC, HJD, HMCP	11-1/4 (285.8)	7-7/8 (200.0)	22-9/16 (573.1)	10 (254)	5-23/32 (145.2)	9-23/32 (246.8)
400 A KD, KDB, KDC, HKD, HMCP	11-3/8 (228.9)	7-7/8 (200.0)	22-9/16 (573.1)	12 (304.8)	7-1/8 (181.0)	9-21/32 (245.3)

§ Approximate dimensions are for reference only.

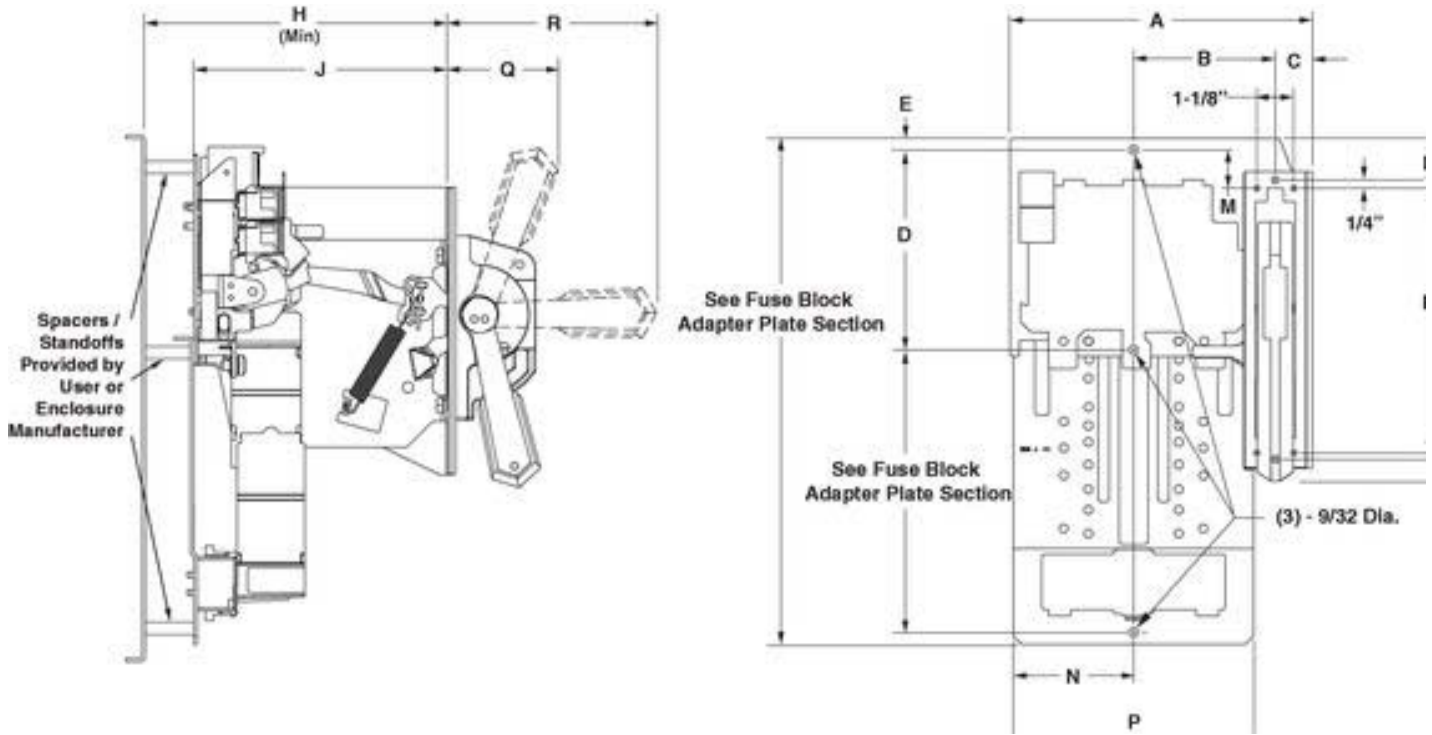
Approximate dimensions are shown in inches (millimeters). Dimensions are not intended to be used for manufacturing purposes.

Bulletin 1494F Disconnect Switches

Non-Fusible Disconnect Switch



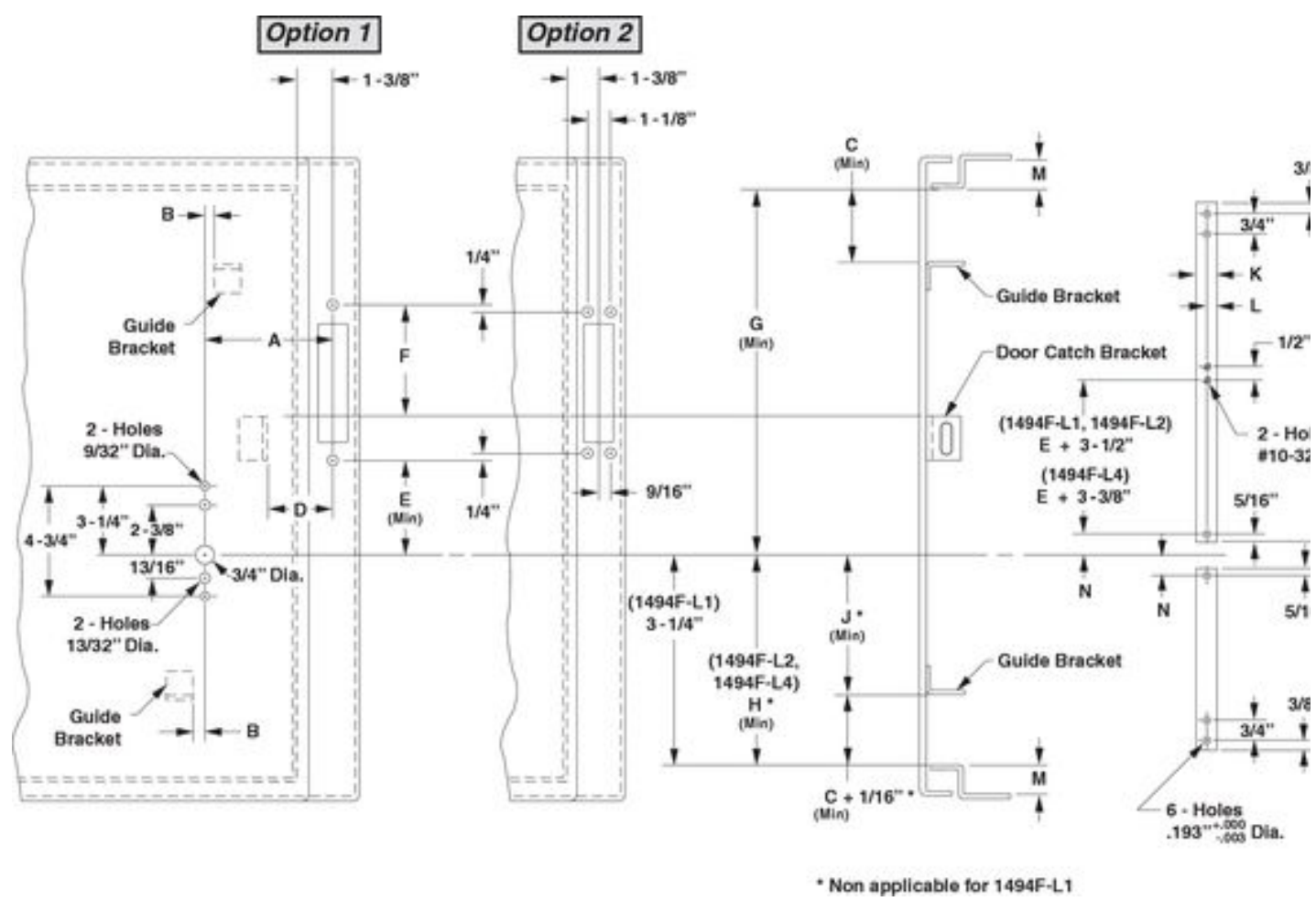
Fusible Disconnect Switch



Switch Size [A]	A	B	C	D	E	F	G	H	J	K	L	M	N	P	Q	R
30	9-3/16 (233.4)	4-5/16 (109.5)	1-1/8 (28.6)	6 (152.4)	3/8 (9.5)	1-9/16 (39.7)	10-1/2 (266.7)	8-1/2 (215.9)	6-7/8 (174.6)	8 (203.2)	8-1/2 (215.9)	15/16 (23.8)	3-21/32 (92.9)	7-5/16 (185.7)	3 (76.2)	5-7 (13)
60	9-3/16 (233.4)	4-5/16 (109.5)	1-1/8 (28.6)	6 (152.4)	3/8 (9.5)	1-9/16 (39.7)	10-1/2 (266.7)	8-1/2 (215.9)	6-7/8 (174.6)	8 (203.2)	8-1/2 (215.9)	15/16 (23.8)	3-21/32 (92.9)	7-5/16 (185.7)	3 (76.2)	5-7 (13)
100	9-3/16 (233.4)	4-5/16 (109.5)	1-1/8 (28.6)	6 (152.4)	3/8 (9.5)	1-9/16 (39.7)	10-1/2 (266.7)	9-3/4 (247.7)	8-1/8 (206.4)	8 (203.2)	8-1/2 (215.9)	15/16 (23.8)	3-21/32 (92.9)	7-5/16 (185.7)	3 (76.2)	5-7 (13)
200	9-5/8 (244.5)	4-3/4 (120.7)	1-5/32 (29.4)	8-3/16 (208)	7/16 (11.1)	2 (50.8)	10-29/32 (277)	9-3/4 (247.7)	8-1/8 (206.4)	8 (203.2)	8-1/2 (215.9)	1-5/16 (33.3)	3-3/4 (95.3)	7-1/2 (190.5)	3 (76.2)	5-7 (13)

Approximate dimensions are shown in inches (millimeters). Dimensions are not intended to be used for manufacturing purposes.

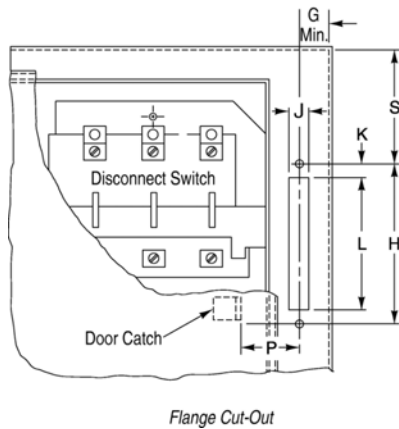
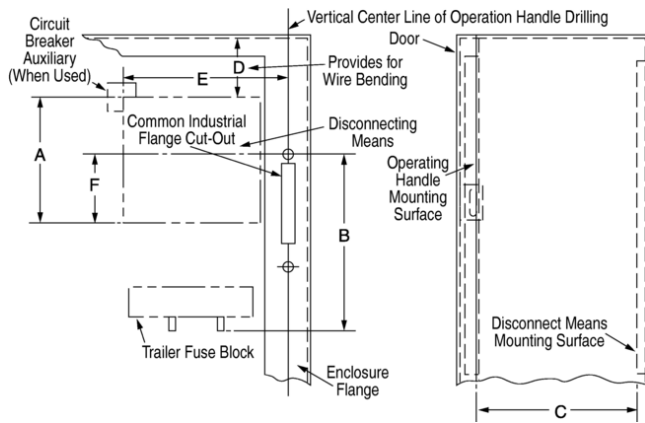
Bulletin 1494F Disconnect Switches Vault Hardware Latching (Non Pre-drilled Enclosures)



Vault Hardware Kits→	Switch Size [A]	A	B	C (Min.)	D	E (Min.)	F	G (Min.)	H (Min.)	J (Min.)	K	L	M	N
Small and Intermediate Enclosures														
1494F-L1 1494F-L2 1494F-L3	30	3-7/8 (98.4)	3/8 (9.5)	3-1/16 (77.8)	2-1/8 (54)	4-1/2 (114.3)	3-13/16 (96.8)	13 (330.2)	8-1/8 (206.4)	5 (127)	1/2 (12.7)	1/4 (6.4)	11/16 (17.5)	1/2 (12.7)
	60						14 (355.6)							
	100						18-7/8 (479.4)							
	200						23-25/32 (604)							
Large Enclosures														
1494F-L4	30	4 (101.6)	1/2 (12.7)	3-3/4 (95.3)	2-1/8 (54)	5 (127)	3-13/16 (96.8)	13-1/8 (333.4)	9-13/16 (249.2)	6 (152.4)	5/8 (15.9)	5/16 (7.9)	1-1/4 (31.8)	3/4 (19.1)
	60						13-5/8 (346.1)							
	100						18-1/2 (469.9)							
	200						23-13/32 (594.5)							

Approximate dimensions are shown in inches (millimeters). Dimensions are not intended to be used for manufacturing purposes.

Bulletin 1494D Circuit Breakers§



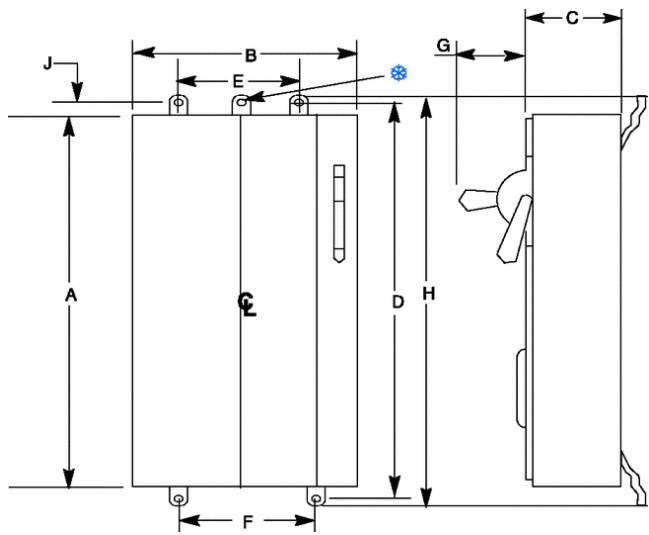
Cutler-Hammer Frame	A	C		D	E	F
		Min.	Max.			
150 A — EHD, FD, FDB, FDC, HFD, HMCP	7-13/16 (198.4)	6-3/8 (161.9)	—	6 (152.4)	5-5/8 (142.9)	6-7/16 (163.5)
250 A — JD, JDB, JDC, HJD, HMCP	11-1/2 (292.1)	8-3/8 (212.7)	—	8 (203.2)	5-13/16 (147.6)	9-7/16 (239.7)
400 A — KD, KDB, KDC, HKD, HMCP	11-1/2 (292.1)	8-3/8 (212.7)	—	12 (304.8)	6-7/8 (174.6)	9-7/16 (239.7)
600 A — LD, HLD, LDC, LA, HLA, LC, HLC	11-3/8 (288.9)	9-1/2 (241.3)	—	8 (203.2)	12 (304.8)	10-17/32 (267.5)
800 A — MA, MDL, HMDL, HMA, MC, ND, HND, NDC	16 (406.4)	9-1/2 (241.3)	—	10 (254)	12-5/16 (312.7)	15-3/32 (183.4)
1200 A — NB TRI-PAK	22 (558.8)	9-1/2 (241.3)	—	10 (254)	12-5/16 (312.7)	21-3/32 (535.8)
1200 A — HNC, ND, HND, NDC, NB, HNB, NC, HNC	16 (406.4)	9-1/2 (241.3)	—	12 (304.8)	12-5/16 (312.7)	25-3/32 (183.4)

§ Approximate dimensions are for reference only.

Approximate dimensions are shown in inches (millimeters). Dimensions are not intended to be used for manufacturing purposes.

Bulletin 1494G, 1494GX, 1494GY Enclosed Disconnect Safety Switches

Type 3R/4/12 (Enclosure Code "F") Painted Metal Enclosures



Size [A]	Fuse Style	Number of Poles	Bulletin No.	Approximate Dimensions in Inches (Millimeters)								Approx. Shipping Weight in lbs (kg)	
				A Height	B Width	C Depth	D Mounting	E Mounting	F Mounting	G Handle Depth	H		J
30	A	2 or 3	1494G	13 5/16 (338)	10 1/2 (267)	8 1/4 (210)	14 11/16 (373)	T	5 1/4 (133)	5 9/16 (141)	15 21/32 (398)	11/32 (9)	20 (9.07)
60													
30	B	2 or 3	1494G	20 (509)	10 1/2 (267)	10 3/16 (259)	21 7/16 (545)	T	5 1/4 (133)	5 9/16 (141)	22 13/32 (569)	11/32 (9)	30 (13.6)
60													
100	A												
30	C	6	1494G	27 1/2 (698)	10 1/2 (267)	8 1/4 (210)	28 7/8 (733)	T	5 1/4 (133)	5 9/16 (141)	29 7/8 (759)	13/16 (21)	60 (27.21)
60				D									
30	A	2 or 3	1494GY										
60				B									
30	A	2 or 3	1494GX	30 (762)	20 1/2 (521)	10 3/16 (259)	31 3/8 (797)	15 1/4 (387)	15 1/4 (387)	5 9/16 (141)	32 3/8 (822)	13/16 (21)	90 (40.82)
60				B									
100	D	6	1494G										
100	A	2 or 3	1494GY										
100				B									
100	B	2 or 3	1494G	31 1/2 (800)	10 1/2 (267)	10 3/32 (257)	32 7/8 (835)	T	5 1/4 (133)	5 9/16 (141)	33 27/32 (860)	11/32 (9)	70 (31.73)
100				C	6								
200	A	2 or 3											
200				B									

100	A	2 or 3	1494GX	50 (1270)	22 (559)	11 1/2 (292)	51 3/8 (1305)	15 1/4 (387)	15 1/4 (387)	5 9/16 (141)	52 11/32 (1330)	11/32 (9)	200 (90.7)
	B												
200	C	6	1494G										
	D												
200	A	2 or 3	1494GY										
	B												
400	A	2 or 3	1494G	50 (1270)	22 (559)	11 1/2 (292)	51 3/8 (1305)	15 1/4 (387)	15 1/4 (387)	7 5/8 (194)	52 11/32 (1330)	11/32 (9)	200 (90.7)
600	A												
400	B	2 or 3	1494G	56 (1422)	30 1/2 (775)	13 51/64 (350)	57 5/8 (1464)	20 (508)	25 1/4 (641)	7 5/8 (194)	62 5/8 (1590)	1 (25.4)	300 (136.05)
600	B												

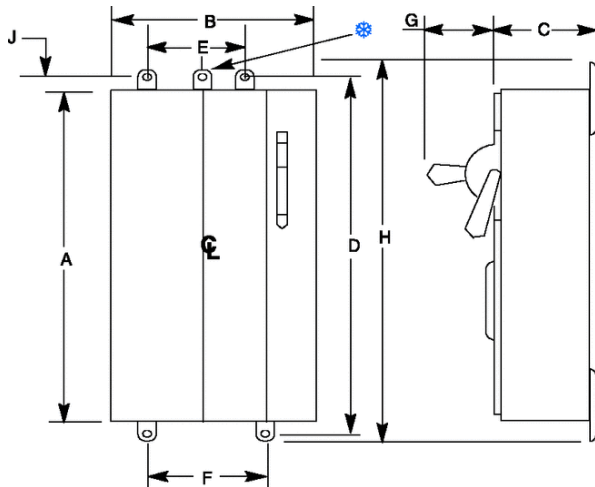
↪ A = Non-Fusible, Fusible 250V - Class H/R, Fusible 600V - Class J
 B = Fusible 600V - Class H/R
 C = Non-fusible
 D = Fusible 250V - Class H/R, Fusible 600V - Class J

T These enclosures have one top mounting hole located on the center line. All other enclosures have two top mounting holes located as shown.

Approximate dimensions are shown in inches (millimeters). Dimensions are not intended to be used for manufacturing purposes.

Bulletin 1494G, 1494GX, 1494GY Enclosed Disconnect Safety Switches

Type 4/4X (Enclosure Code "C") Stainless Steel Enclosure



Size [A]	Fuse Style ↪	Number of Poles	Bulletin No.	Approximate Dimensions in Inches (Millimeters)								Approx. Shipping Weight in lbs (kg)	
				A Height	B Width	C Depth	D Mounting	E Mounting	F Mounting	G Handle Depth	H		J
30	A	2 or 3	1494G	13 5/16 (338)	10 1/2 (267)	8 9/16 (217)	14 11/16 (373)	T	5 1/4 (133)	5 9/16 (141)	15 21/32 (398)	13/16 (21)	20 (9.07)
60													
30	B	2 or 3	1494G	27 1/2 (698)	10 1/2 (267)	8 1/4 (210)	28 7/8 (733)	T	7 (178)	5 9/16 (141)	29 3/4 (756)	13/16 (21)	60 (27.21)
	C	6											
	D												
60	B	2 or 3											

	C	6											
	D												
30	A	2 or 3	1494GY										
	B												
60	A												
	B												
30	A	2 or 3	1494GX	30 (762)	20 1/2 (521)	9 7/8 (251)	31 3/8 (797)	17 (432)	17 (432)	5 9/16 (141)	32 1/4 (819)	13/16 (21)	90 (40.82)
	B												
60	A												
	B												
100	A	2 or 3	1494G										
	B												
	C	6											
	D												
100	A	2 or 3	1494GX	50 (1270)	22 (559)	11 3/16 (284)	51 3/8 (1305)	18 1/2 (470)	18 1/2 (470)	5 9/16 (141)	52 1/4 (1327)	13/16 (21)	200 (90.7)
	B												
200	A	2 or 3	1494G										
	B												
	C	6											
	D												
400	A	2 or 3	1494G	56 (1422)	30 1/2 (775)	13 51/64 (350)	57 5/8 (1464)	20 (508)	25 1/4 (641)	7 5/8 (194)	58 5/8 (1489)	1 (25.4)	300 (136.05)
	B												
600	A												
	B												

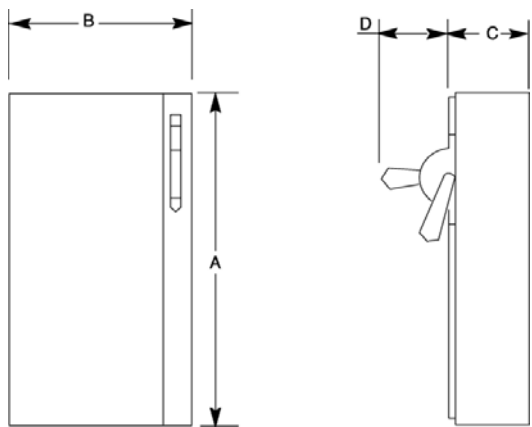
- A = Non-Fusible, Fusible 250V - Class H/R, Fusible 600V - Class J
 B = Fusible 600V - Class H/R
 C = Non-fusible
 D = Fusible 250V - Class H/R, Fusible 600V - Class J

T These enclosures have one top mounting hole located on the center line. All other enclosures have two top mounting holes located as shown.

Approximate dimensions are shown in inches (millimeters). Dimensions are not intended to be used for manufacturing purposes.

Bulletin 1494G, 1494GX, 1494GY Enclosed Disconnect Safety Switches

Type 4/4X (Enclosure Code "S") Non-metallic, Corrosion-resistant Enclosure



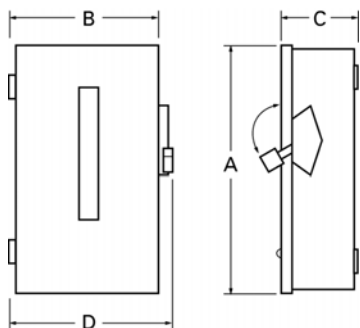
Size [A]	Fuse Style [→]	Number of Poles	Bulletin No.	Approximate Dimensions in Inches (Millimeters)				Approx. Shipping Weight in lbs (kg)
				A Height	B Width	C Depth	D Handle Depth	
30	A	2 or 3	1494G	24 (610)	10 (254)	6 7/8 (175)	4 7/8 (124)	28 (12.7)
	B							
60	A	2 or 3	1494GX	24 (610)	21 (533)	9 1/4 (235)	4 7/8 (124)	60 (27.2)
	B							
100	A	2 or 3	1494G	24 (610)	21 (533)	9 1/4 (235)	4 7/8 (124)	60 (27.2)
	B							

→ A = Non-fusible, Fusible 250V - Class H/R, Fusible 600V - Class J/H/R
 B = Fusible 600V - Class H/R

Approximate dimensions are shown in inches (millimeters). Dimensions are not intended to be used for manufacturing purposes.

Bulletin 1494H Heavy Duty Safety Switches

Type 1 (Enclosure Code "A") General Purpose Painted Metal Enclosures



Switch Size [A]	Fuse Style	A Height	B Width	C Depth	D Width (with handle)	Knockout Fig. #
30	240V	10-9/32 (261.1)	6-3/8 (162.1)	3-5/16 (84.1)	7-1/8 (181)	1
	600V	12-19/32 (319.8)	8-3/8 (212.9)	4 (101.6)	9-1/2 (241.3)	2
	Non-fusible	10-3/8 (263.7)	8-3/8 (212.9)	4 (101.6)	9-1/4 (235)	3
60	240V	17-19/32 (446.8)	9-3/8 (238.3)	5 (127)	10-3/64 (255.3)	4
	600V	21-11/32 (542)				5
	Non-fusible	17-19/32 (446.8)				4
100	240V	21-11/32 (542)	9-3/8 (238.3)	5 (127)	10-3/64 (255.3)	5
	600V	22-11/32 (567.4)				4
	Non-fusible	17-19/32 (446.8)				4
200	240V	31-5/8 (803.3)	13-7/16 (341.4)	5-1/4 (133.4)	14-7/16 (366)	6
	600V					
	Non-fusible					

Knockouts – Conduit Size

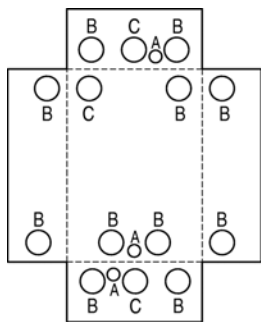


Fig. 1

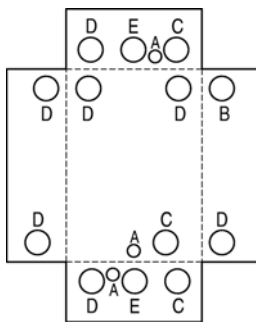


Fig. 2

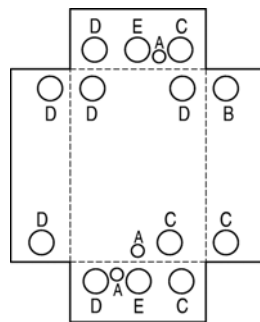


Fig. 3

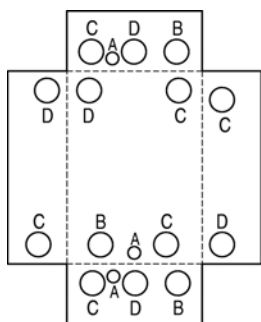


Fig. 4

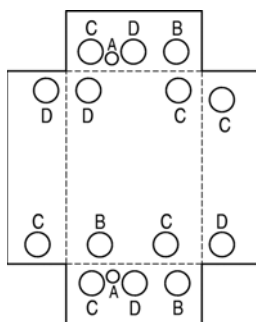


Fig. 5

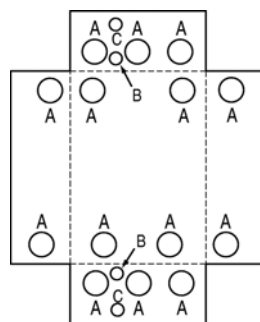


Fig. 6

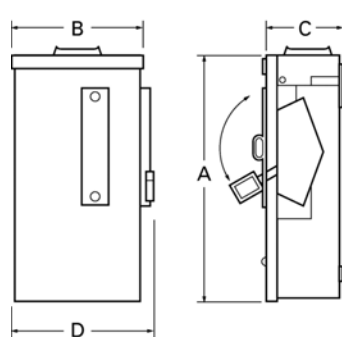
Switch Size [A]	Fuse Style	Knockouts				
		A	B	C	D	E
30	240V	9/32 (7.1)	1/2 x 3/4 (12.7 x 19.1)	3/8 x 1/2 x 3/4 x 1 (9.5 x 12.7 x 19.1 x 25.4)	—	—
	600V	1/2 x 3/4 x 1 (12.7 x 19.1 x 25.4)		1/2 x 3/4 x 1 x 1-1/4 (12.7 x 19.1 x 25.4 x 31.8)	3/4 x 1 x 1-1/4 x 1-1/2 (19.1 x 25.4 x 31.8 x 38.1)	
	Non-fusible					

60	240V	9/32 (7.1)	1/2 x 3/4 x 1 x 1-1/4 (12.7 x 19.1 x 25.4 x 31.8)	3/4 x 1 x 1-1/4 x 1-1/2 (19.1 x 25.4 x 31.8 x 38.1)	1 x 1-1/4 x 1-1/2 x 2 (25.4 x 31.8 x 38.1 x 50.8)	—
	600V					
	Non-fusible					
100	240V	9/32 (7.1)	1/2 x 3/4 x 1 x 1-1/4 (12.7 x 19.1 x 25.4 x 31.8)	3/4 x 1 x 1-1/4 x 1-1/2 (19.1 x 25.4 x 31.8 x 38.1)	1 x 1-1/4 x 1-1/2 x 2 (25.4 x 31.8 x 38.1 x 50.8)	—
	600V					
	Non-fusible					
200	240V	1 x 1-1/2 x 2 x 2-1/2 (25.4 x 38.1 x 50.8 x 63.5)	9/32 (7.1)	1/2 (12.7)	—	—
	600V					
	Non-fusible					

Approximate dimensions are shown in inches (millimeters). Dimensions are not intended to be used for manufacturing purposes.

Bulletin 1494H Heavy Duty Safety Switches

Type 3R (Enclosure Code "N") Rain-Proof Painted Metal Enclosures



Switch Size [A]	Fuse Style	A Height	B Width	C Depth	D Width (with handle)	Knockout Fig. #
30	240V	10-5/8 (269.9)	6-3/8 (162.1)	3-5/16 (84.1)	7-1/8 (181)	7
	600V	13-13/64 (335.3)	8-3/8 (212.9)	4 (101.6)	9-13/32 (239)	8
	Non-fusible	13-13/64 (335.3)	8-3/8 (212.9)	4 (101.6)	9-13/32 (239)	8
60	240V	17-7/16 (443)	9-3/8 (238.3)	5 (127)	10-3/64 (255.3)	9
	600V	22-3/16 (563.6)			10-1/2 (267)	
	Non-fusible	17-7/16 (443)			10-3/64 (255.3)	
100	240V	22-3/16 (563.6)	9-3/8 (238.3)	5 (127)	10-1/2 (267)	9
	600V	22-3/16 (563.6)				
	Non-fusible	17-7/16 (443)			10-3/64 (255.3)	
200	240V	31-7/16 (798.6)	13-3/8 (339.9)	5-15/32 (138.9)	14-1/8 (361.9)	10
	600V					
	Non-fusible					

Knockouts – Conduit Size

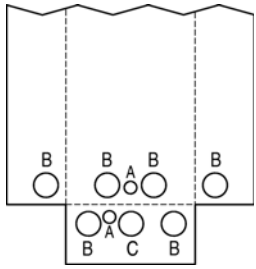


Fig. 7

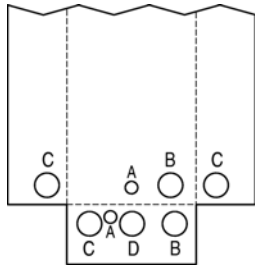


Fig. 8

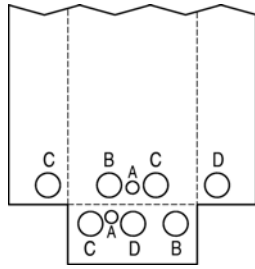


Fig. 9

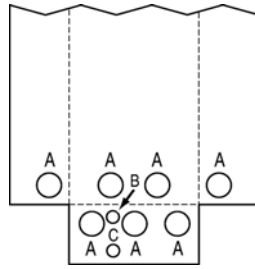


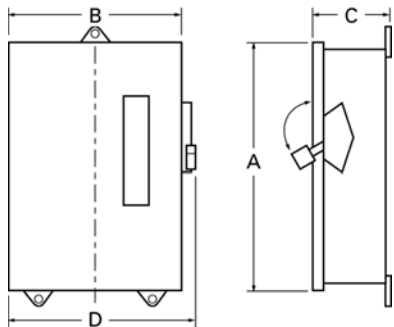
Fig. 10

Switch Size [A]	Fuse Style	Knockouts			
		A	B	C	D
30	240V	9/32 (7.1)	1/2 x 3/4 (12.7 x 19.1)	3/8 x 1/2 x 3/4 x 1 (9.5 x 12.7 x 19.1 x 25.4)	—
	600V		1/2 x 3/4 x 1 (12.7 x 19.1 x 25.4)	1/2 x 3/4 x 1 x 1-1/4 (12.7 x 19.1 x 25.4 x 31.8)	3/4 x 1 x 1-1/4 x 1-1/2 (19.1 x 25.4 x 31.8 x 38.1)
	Non-fusible				
60	240V	9/32 (7.1)	1/2 x 3/4 x 1 x 1-1/4 (12.7 x 19.1 x 25.4 x 31.8)	3/4 x 1 x 1-1/4 x 1-1/2 (19.1 x 25.4 x 31.8 x 38.1)	1 x 1-1/4 x 1-1/2 x 2 (25.4 x 31.8 x 38.1 x 50.8)
	600V				
	Non-fusible				
100	240V	9/32 (7.1)	1/2 x 3/4 x 1 x 1-1/4 (12.7 x 19.1 x 25.4 x 31.8)	3/4 x 1 x 1-1/4 x 1-1/2 (19.1 x 25.4 x 31.8 x 38.1)	1 x 1-1/4 x 1-1/2 x 2 (25.4 x 31.8 x 38.1 x 50.8)
	600V				
	Non-fusible				
200	240V	1 x 1-1/2 x 2 x 2-1/2 (25.4 x 38.1 x 50.8 x 63.5)	9/32 (7.1)	1/2 (12.7)	—
	600V				—
	Non-fusible				—

Approximate dimensions are shown in inches (millimeters). Dimensions are not intended to be used for manufacturing purposes.

Bulletin 1494H Heavy Duty Safety Switches

Type 12 (Enclosure Code "F") Dust-Tight Painted Metal Enclosures

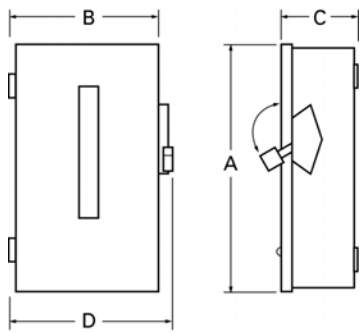


Switch Size [A]	Fuse Style	A Height	B Width	C Depth	D Width (with handle)
30	240V	11-3/8 (288.9)	7-3/8 (187.3)	5-1/16 (128.6)	8-1/8 (206.4)
	600V	13-3/8 (339.7)	9-3/8 (238.1)	5-5/16 (134.9)	10-1/4 (260.4)

	Non-fusible			5-1/16 (128.6)	
60	240V	19-3/8 (492.1)	9-3/8 (238.1)	5-1/16 (128.6)	10-1/4 (260.4)
	600V			5-5/16 (134.9)	
	Non-fusible			5-1/16 (128.6)	
100	240V	25-3/8 (644.5)	13-1/2 (342.9)	5-1/16 (128.6)	14-1/4 (362)
	600V			5-5/16 (134.9)	
	Non-fusible				
200	240V	35-1/8 (892.2)	13-1/2 (342.9)	5-5/16 (134.9)	15-1/4 (387.4)
	600V			14-1/2 (368.3)	
	Non-fusible				

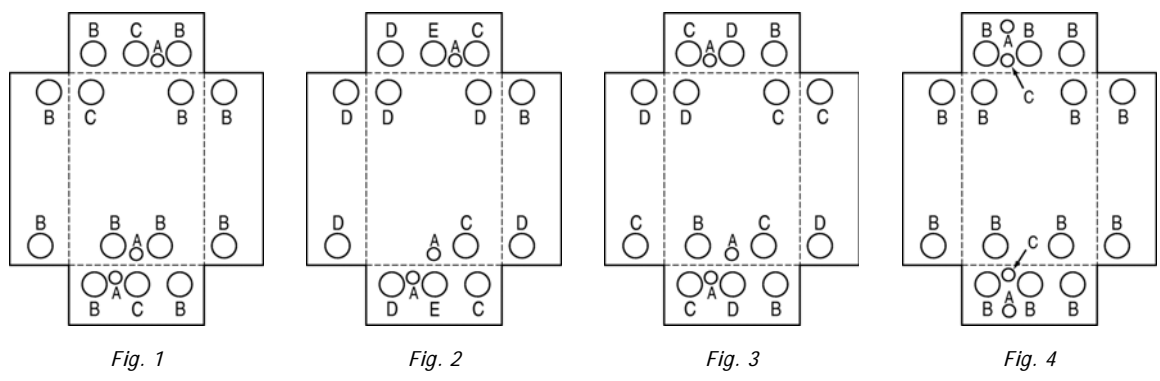
Bulletin 1494HL General Duty Safety Switches

Type 1 (Enclosure Code "A") General Purpose Painted Metal Enclosures



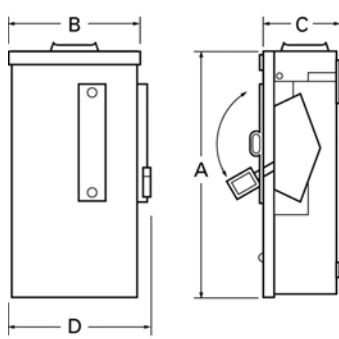
Switch Size [A]	Fuse Style	A Height	B Width	C Depth	D Width (with handle)	Knockout Fig. #
30	240V	10-9/32 (261.1)	6-1/2 (165.1)	3-5/16 (84.1)	6-29/32 (175.3)	1
60		13-27/32 (351.5)	8-1/2 (215.9)	4 (101.6)	8-7/8 (225.6)	2
100		21-11/32 (542)	9-1/2 (241.3)	5 (127)	9-7/8 (251)	3
200		29-1/8 (739.6)	13-7/16 (341.4)	5-5/16 (134.9)	13-15/16 (354.1)	4

Knockouts – Conduit Size



Switch Size [A]	Knockouts				
	A	B	C	D	E
30	9/32 (7.1)	1/2 x 3/4 (12.7 x 19.1)	3/8 x 1/2 x 3/4 x 1 (9.5 x 12.7 x 19.1 x 25.4)	—	—
60	9/32 (7.1)	1/2 x 3/4 (12.7 x 19.1)	1/2 x 3/4 x 1 (12.7 x 19.1 x 25.4)	1/2 x 3/4 x 1 x 1-1/4 (12.7 x 19.1 x 25.4 x 31.8)	3/4 x 1 x 1-1/4 x 1-1/2 (19.1 x 25.4 x 31.8 x 38.1)
100	9/32 (7.1)	1/2 x 3/4 x 1 x 1-1/4 (12.7 x 19.1 x 25.4 x 31.8)	3/4 x 1 x 1-1/4 x 1-1/2 (19.1 x 25.4 x 31.8 x 38.1)	1 x 1-1/4 x 1-1/2 x 2 (25.4 x 31.8 x 38.1 x 50.8)	—
200	1/2 (12.7)	1 x 1-1/2 x 2 x 2-1/2 (25.4 x 38.1 x 50.8 x 63.5)	9/32 (7.1)	—	—

Type 3R (Enclosure Code "N") Rain-Proof Painted Metal Enclosures



Switch Size [A]	Fuse Style	A Height	B Width	C Depth	D Width (with handle)	Knockout Fig. #
30	240V	10-1/32 (254.8)	6-3/8 (162.1)	3-5/16 (84.1)	7-1/8 (180.8)	5
60		13-15/16 (353.8)	8-3/8 (212.9)	3-7/8 (225.6)	9-3/32 (230.9)	6
100		21-7/16 (544.3)	9-3/8 (238.3)	5 (127)	9-61/64 (252.7)	7
200		28-15/16 (735.1)	13-3/8 (339.9)	5-5/16 (134.9)	14-1/16 (357.1)	8

Knockouts – Conduit Size

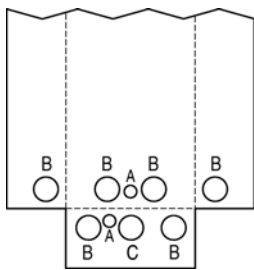


Fig. 5

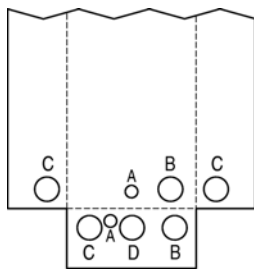


Fig. 6

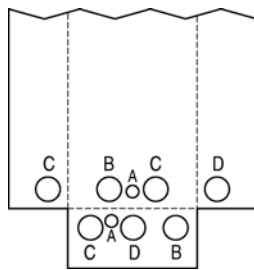


Fig. 7

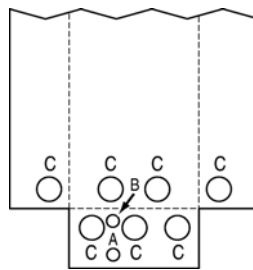


Fig. 8

Switch Size [A]	Knockouts			
	A	B	C	D

30	9/32 (7.1)	1/2 x 3/4 (12.7 x 19.1)	3/8 x 1/2 x 3/4 x 1 (9.5 x 12.7 x 19.1 x 25.4)	—
60	9/32 (7.1)	1/2 x 3/4 x 1 (12.7 x 19.1 x 25.4)	1/2 x 3/4 x 1 x 1-1/4 (12.7 x 19.1 x 25.4 x 31.8)	3/4 x 1 x 1-1/4 x 1-1/2 (19.1 x 25.4 x 31.8 x 38.1)
100	9/32 (7.1)	1/2 x 3/4 x 1 x 1-1/4 (12.7 x 19.1 x 25.4 x 31.8)	3/4 x 1 x 1-1/4 x 1-1/2 (19.1 x 25.4 x 31.8 x 38.1)	1 x 1-1/4 x 1-1/2 x 2 (25.4 x 31.8 x 38.1 x 50.8)
200	1/2 (12.7)	1 x 1-1/2 x 2 x 2-1/2 (25.4 x 38.1 x 50.8 x 63.5)	1 x 1-1/2 x 2 x 2-1/2 (25.4 x 38.1 x 50.8 x 63.5)	—

Copyright © 2011 Rockwell Automation, Inc. All Rights Reserved.