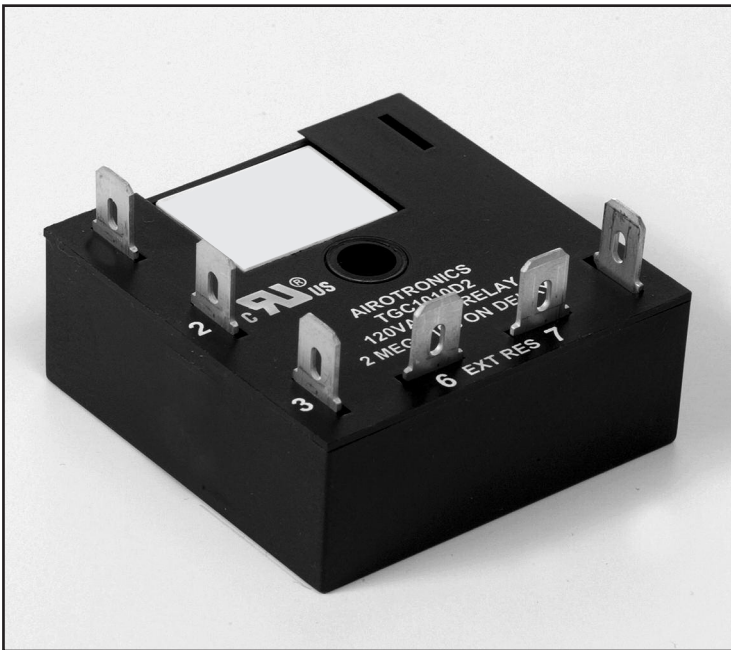


Timing Mode: **DELAY ON MAKE**
 Category: **TIMER WITH RELAY**
 Series: **TGC**

CUBE RELAY, 10-30 AMPS



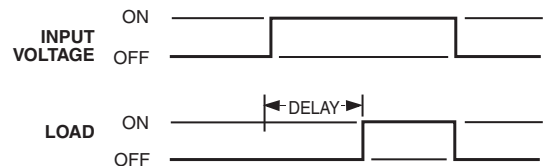
TGC Timers

TGC series Cube Relay Delay on Make timers are a unique combination of digital CMOS timing circuitry with a relay output in a compact 2" x 2" configuration.

These units provide the same functional performance as plug-in relay timers at significant cost savings.


Timing Mode

Application of input voltage to the timer starts the time delay. At the end of the delay period, the load is energized. To reset, remove the input voltage to the timer.

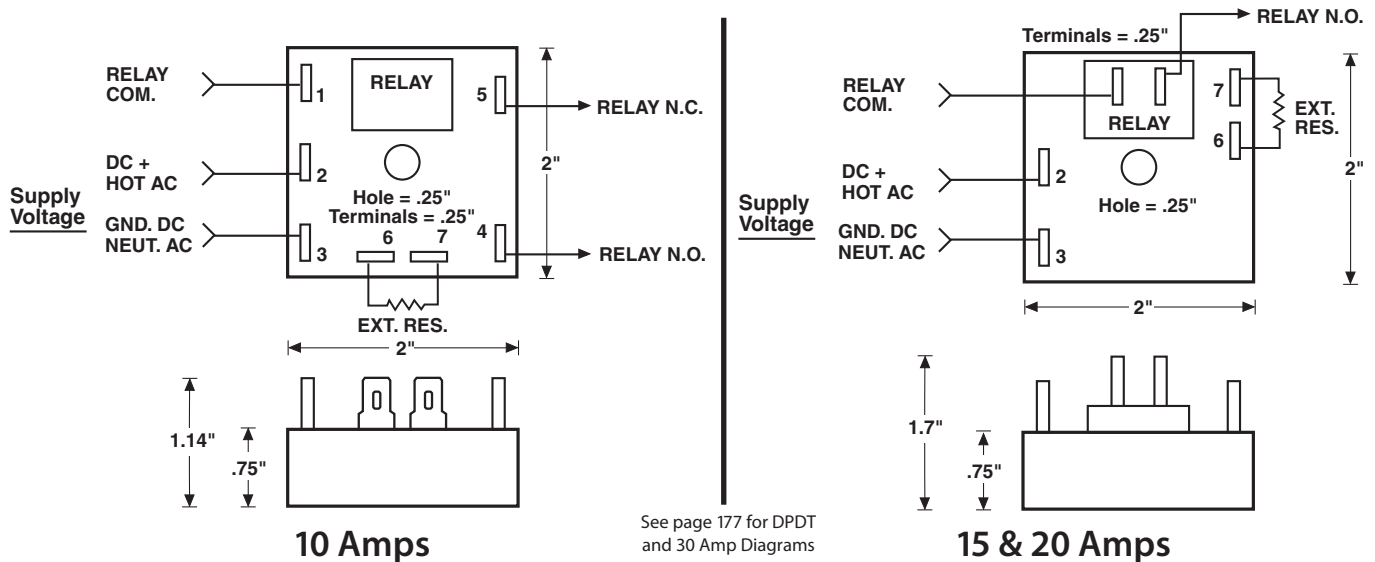


FEATURES

- High current-carrying capacity up to 30 amps
- Transient protected
- 100% Load isolation
- No leakage in N.O. position
- No heat sinking required
- Available in any time delay period required

- Digital CMOS timing
- No minimum load required
- Totally encapsulated for protection from harsh environments
- 100% Operational testing before shipping
- 
- RoHS compliance available

BASIC WIRING AND DIMENSIONS



SPECIFICATIONS

Input Voltage:

VDC: 12, 24 or 48
 VAC: 24, 48, 120 or 230, 50/60Hz
 Special AC or DC voltages available

Time Delay:

Timing Mode: Delay On Make
 Type: Digital CMOS
 Time Range: 0.5 second to 24 hours
 Time Adjustments: Factory-fixed time period;
 variable, with adjustments on timer,
 or terminals for external resistor
 or potentiometer

Repeatability: ±0.5%

Setting Accuracy: Fixed time period: ±10% of nominal time

Variable time range: +15% -5% max. time,
 -10% min. time

Reset/Recycle Time: 25 milliseconds

Initiate Time: 6 milliseconds or less

Relay Output Form: *Standard:* SPST N.O.
Optional: SPST N.C., SPDT

Relay Life Expectancy:

Mechanical: 20 million operations
Electrical: 100,000 operations

Protection:

Polarity Protection: All DC units have
 reverse polarity protection
Transient Protection: 18 joules
Dielectric Strength: 1800V RMS 60Hz

Temperature Ranges: Storage: -40°C to +85°C

Operating: -25°C to +65°C

Physical Data: Mounting: Surface with one #8 screw

Connection & Termination: 0.25" quick connects

OPTIONS SELECTION

Mode of Operation	Series	Input Voltage	Examples of Time Ranges	Time Adjustment Method	Relay Output Form	Options
Delay On Make	TGC	1 120 VAC	VARIABLE TIME PERIODS 0001 0.5 to 1 sec. 0010 .1 to 10 sec. 0100 1 to 100 sec. 1000 10 to 1000 sec. Any range up to 24 hours available.	A Variable, integral, knob on timer. B Variable, external knob remote. C Fixed, internal, factory set. D Fixed, external, resistor remote.	1 SPDT	H 10 Amps JN 15 Amps (1.0 HP) J 20 Amps (1.5 HP) Z 30 Amps W Wires S Special
		2 230 VAC			2 SPST (N.O.)	
		3 24 VAC			3 SPST (N.C.)	
		4 24-28 VDC			*4 DPDT	
		5 48 VAC				
		6 48 VDC				
		7 12 VDC				
		8 Any in between AC voltage (specify)	FIXED TIME PERIODS Specify time in full seconds or hours followed by the letter "S" or "H" and the decimal amount of the main time unit. Examples: 5S5 is 5.5 secs 5H5 is 5.5 hours			
		9 Any in between DC voltage (specify)				
					*10 Amps only	

EXAMPLE TGC 1 0010 A 2 H TGC, 120 VAC, 10 seconds, adjustable, SPST, 10 Amps
 Specifications subject to change without notice.