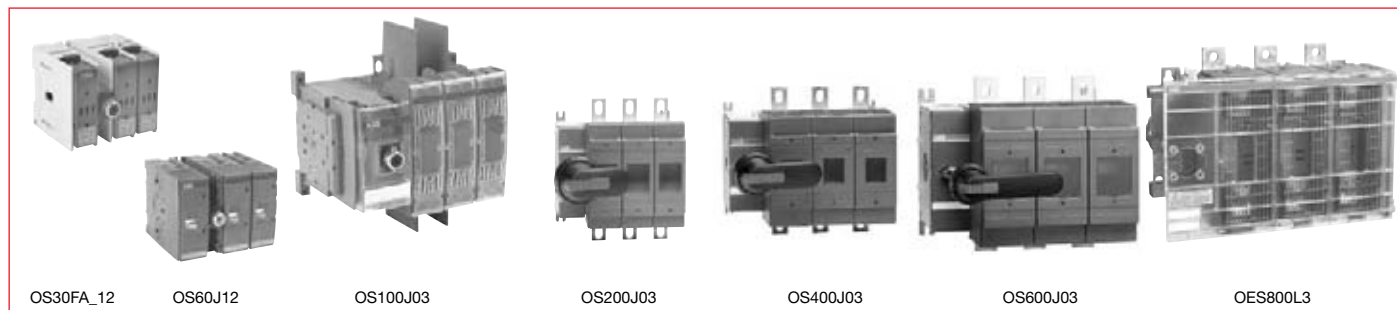


Disconnect  
switches  
Fusible

## Selection guide OS30FACC12 – OES800L3



Catalog number 3 pole		OS30FACC12	OS30FAJ12	OS60J12	OS100J03	OS200J03	OS400J03	OS600J03	OES800L3
<b>General purpose amp rating</b>	<b>A</b>	<b>30</b>	<b>30</b>	<b>60</b>	<b>100</b>	<b>200</b>	<b>400</b>	<b>600</b>	<b>800</b>
<b>Catalog reference</b>	Page #	18.79	18.79	18.83	18.83	18.83	18.87	18.87	18.87
<b>Approvals</b> ⓘ									
	2 pole	N/A	N/A	N/A	UL98 & IEC	UL98 & IEC	UL98 & IEC	UL98 & IEC	UL98 & IEC
	3 pole	UL98 & IEC	UL98 & IEC	UL98 & IEC	UL98 & IEC	UL98 & IEC	UL98 & IEC	UL98 & IEC	UL98 & IEC
	4 pole	UL98 & IEC	UL98 & IEC	UL98 & IEC	UL98 & IEC	UL98 & IEC	UL98 & IEC	UL98 & IEC	UL98 & IEC
<b>Technical ratings (UL,CSA)</b>									
Max operating voltage	V	600	600	600	600	600	600	600	600
Max horsepower rating									
Three phase									
	240V HP	7.5	7.5	15	30	60	125	200	250
	480V HP	15	15	30	60	125	250	400	500
	600V HP	20	20	50	75	150	350	500	600
Single phase									
	120V HP	2	2	—	—	—	—	—	—
	240V HP	3	3	—	—	—	—	—	—
UL fuse class		CC	J	J	J	J	J	J	L
<b>Technical ratings (IEC)</b>									
Rated insulation and operational voltage. AC20 and DC20	V	1000	1000	1000	1000	1000	1000	1000	1000
Rated thermal current, I <sub>th</sub>									
AC 20/DC 20 open	A	32	32	63	160	200	400	630	800
AC 20/DC 20 enclosed	A	32	32	63	160	200	400	600	720
AC 21A ≤500V	A	32	32	63	160	200	400	630	800
AC 21A ≤690V	A	32	32	63	160	200	400	630	800
Rated operational power AC23									
400/415V	kW	14/15	14/15	30	80/90	110	220/230	355	350/380
690V	kW	25	25	60	132	200	400	560	600
<b>Physical characteristics</b>									
Weight	3 pole switch	1.54	1.54	2.86	3.30	5.9	12.56	28.66	37.44
	4 pole	1.98	1.98	3.52	3.96	7.5	15.21	37.48	46.26
Dimension	3 pole								
	H in	3.66	3.60	3.94	5.67	6.5	9.29	12.04	10.10
	W in	4.15	4.15	5.63	7.07	7.1	10.04	13.50	14.80
	D in	4.10	4.10	5.04	5.10	5.2	6.93	9.17	9.17
<b>Accessories</b>									
Double break contacts		S	S	S	S	S	S	S	S
Fuse cover		S	S	S	S	S	S	S	S
Terminal lug kit		Integral	Integral	Integral	OZXA-24	OZXA-200	OZXA-400	OZXA-800	OZXA-27
Terminal shroud		Not required	Not required	Not required	•	•	•	•	•
Auxiliary contact		•	•	•	•	•	•	•	•
Shaft/handle diameter		6mm .24 x .24"	6mm .24 x .24"	6mm .24 x .24"	6mm .24 x .24"	6mm .24 x .24"	12mm .47 x .47"	12mm .47 x .47"	12mm .47 x .47"
Handle UL/NEMA type									
Type 1, 3R, 12		•	•	•	•	•	•	•	•
Type 1, 3R, 4, 4X, 12		•	•	•	•	•	•	•	•
Recommended pistol handle length		45 - 65mm	45 - 65mm	45 - 65mm	45 - 65mm	65 - 80mm	125 - 175mm	125 - 175mm	125 - 175mm
Maximum recommended shaft length		290mm	290mm	290mm	290mm	290mm	595mm	595mm	595mm
Electrical interlock		—	—	—	—	—	•	•	•

18

S = Standard  
• = Available  
— = Not available

ⓘ UL listed switches are also CSA approved.